

## Hood Q inox wall

Hoods

Code: 2510 090

90 cm



### DETAILS

Material Stainless steel

---

Texture Brushed in line

---

Energy class A

---

Grease filters Grease filters in stainless steel: 1 filtre for 60 cm hood, 2 filters for 90 cm hood

---

Operation Suction hood (filtering mode with optional carbon filters)

---

Air exhaust hole  $\varnothing$  120/150 mm

---

Lighting LED lighting (4.000 kelvin)

---

Air flow rate 790mc/h

---

Motor power 275W

---

Hood type Wall-mounted suction hood

---

Type of commands Easy electronic controls

---

Suction speed 4 operating speeds

---

Notes: Fume exhaust ducts must have an internal diameter not lower than 120 mm

---

## FEATURES

Auto delayed shutdown All the models with electronic interface can be programmed to turn off the suction at a postponed moment, so as to prolong the aeration of the room even after the cooking has been completed.

---

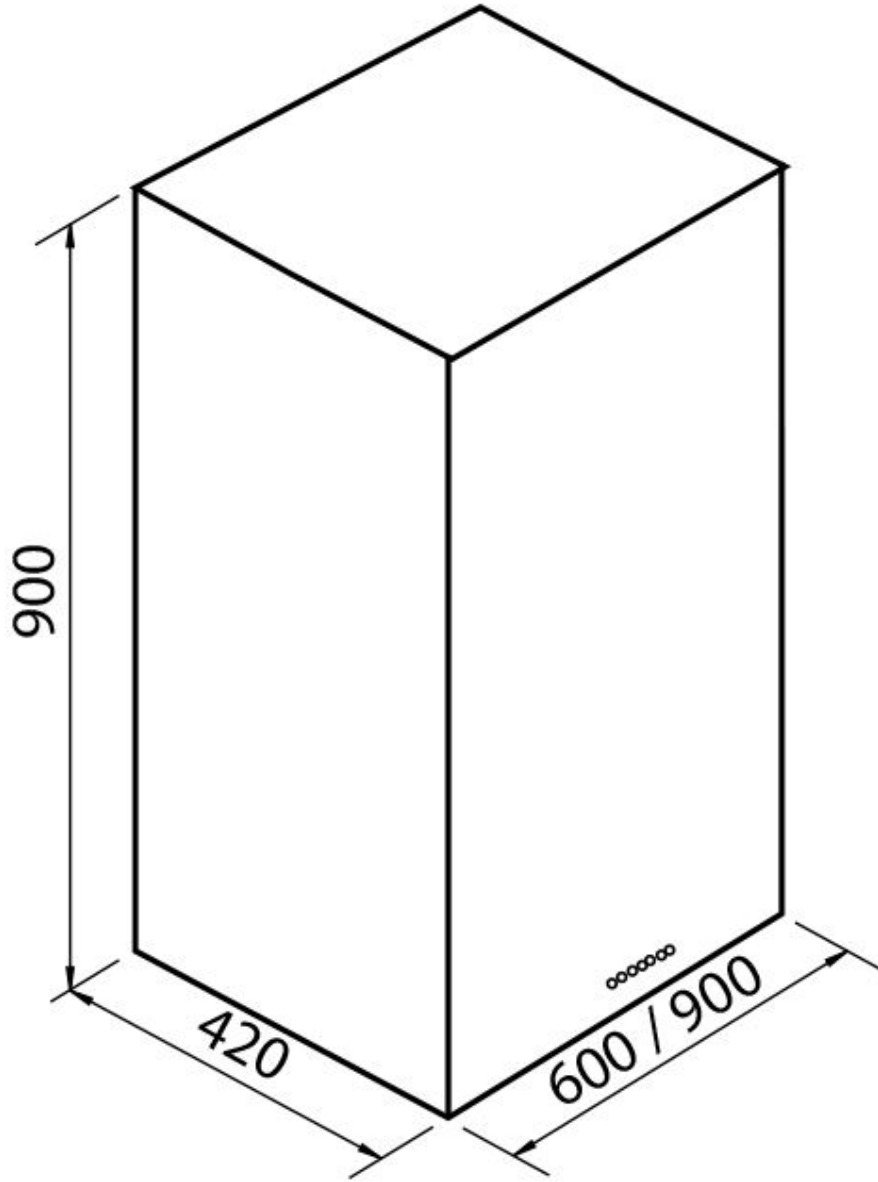
Led lighting Particular attention to energy saving with LED lighting systems. They assure a 10 times lower consumption and a 10 times longer duration. Our LED lights are designed to create an adequate comfort and safety in the cooking area.

---

Steel filters Where the filter is in plain sight, the aluminium filtering element is covered in stainless steel. This solution improves the look and increases the durability of the product.

---

## TECHNICAL DATA



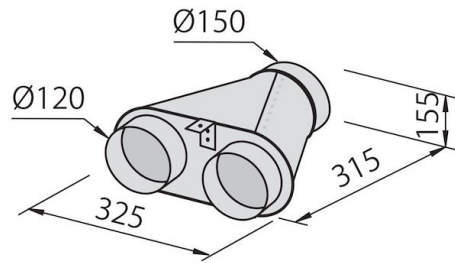
## GALLERY



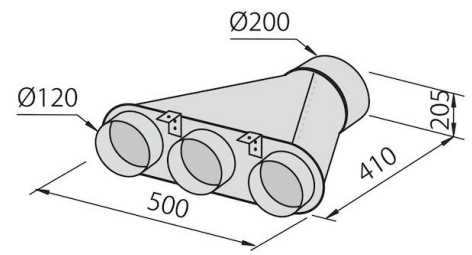
## OPTIONAL ACCESSORIES



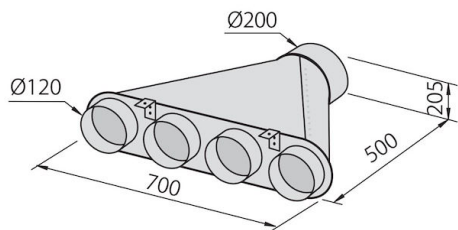
Carbon filter



Collector for 2 pipes



Collector for 3 pipes



Collector for 4 pipes



Flexible silencing canalization



Flexible silencing canalization