

Hood KS black



Hoods

Code: 2504 394

90 cm



DETAILS

Hood type Wall-mounted suction hood

Product details Telescopic chimney

Energy class A

Material Stainless steel

Finish Black

Operation Suction hood (filtering mode with optional carbon filters)

Grease filters Grease filtre in stainless steel

Type of commands Electronic pushbutton

Suction speed 4 operating speeds

Chimney height Aspiring mode: 580-1000 mm / filtering mode: 650-1070 mm

Air exhaust hole ø 120/150 mm

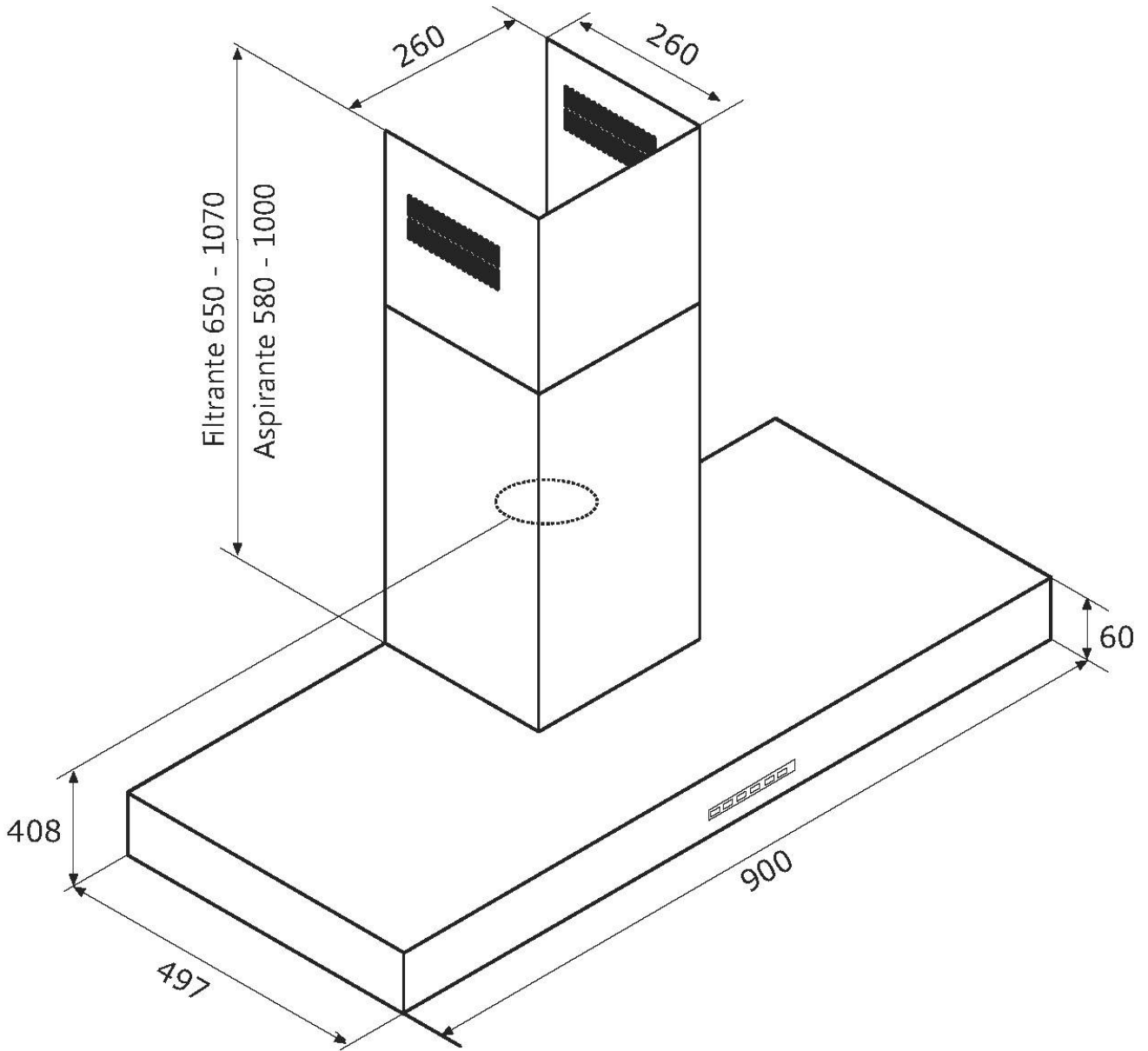
Motor power 224 W

Air flow rate 632 M³/h

Lighting LED lighting 2 x 1,2 W (4.000 kelvin)

Notes: Fume exhaust ducts must have an internal diameter not lower than 120 mm

TECHNICAL DATA



GALLERY



OPTIONAL ACCESSORIES



Carbon filter
9700 517