

## Hood KS Lux

Hoods

Code: 2504 094



### DETAILS

Material Stainless steel

---

Texture Brushed in line

---

Chimney height Aspiring mode: 630 - 1050 mm / filtering mode: 700 - 1120 mm

---

Energy class A

---

Product details Telescopic chimney

---

Grease filters Grease filtre in stainless steel

---

Operation Suction hood (filtering mode with optional carbon filters)

---

Air exhaust hole  $\varnothing$  120/150 mm

---

Lighting

---

Air flow rate 700mc/h

---

Motor power 250W

---

Hood type Wall-mounted suction hood

---

Type of commands Electronic pushbutton

---

Suction speed 3 operating speeds + 1 timed intensive

---

Notes: Fume exhaust ducts must have an internal diameter not lower than 120 mm

---

## FEATURES

**Auto delayed shutdown** All the models with electronic interface can be programmed to turn off the suction at a postponed moment, so as to prolong the aeration of the room even after the cooking has been completed.

---

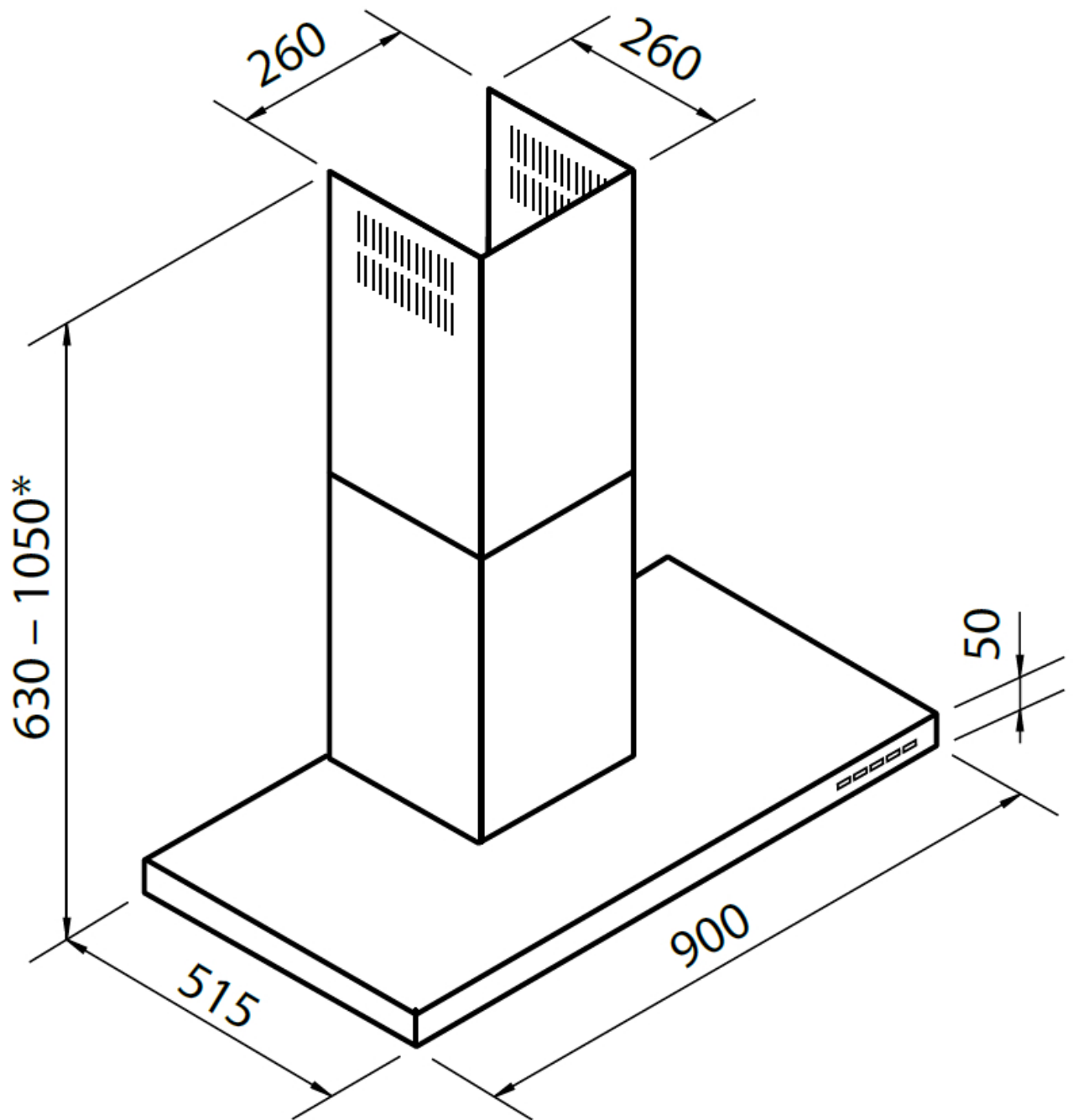
**Led lighting** Particular attention to energy saving with LED lighting systems. They assure a 10 times lower consumption and a 10 times longer duration. Our LED lights are designed to create an adequate comfort and safety in the cooking area.

---

**Steel filters** Where the filter is in plain sight, the aluminium filtering element is covered in stainless steel. This solution improves the look and increases the durability of the product.

---

## TECHNICAL DATA



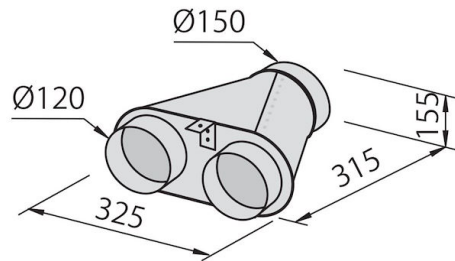
## GALLERY



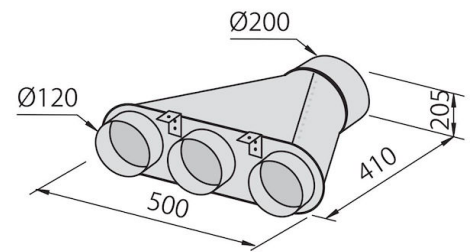
## OPTIONAL ACCESSORIES



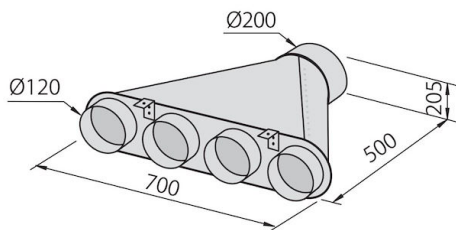
Carbon filter



Collector for 2 pipes



Collector for 3 pipes



Collector for 4 pipes



Flexible silencing canalization



Flexible silencing canalization