



Hood S4000 Domino Ghost

Hoods

Code: 2451 000



DETAILS

Coloring Black

Material Stainless steel + glass

Texture Brushed in line

Height from floor adjustable 180-300mm

Energy class B

Dimensions on plane 520x120mm

Grease filters 1 grease adonized aluminium filtre

Operation Suction hood (filtering mode with optional carbon filters)

Cut out 490x104 mm

Air exhaust hole \varnothing 120/150 mm

Notes: The motor can be positioned frontally, on the back of the hood and in remote mode with the appropriate optional kit.

Air flow rate 640mc/h

Motor power 275W

Hood type Table-top hood

Type of commands Touch Control

Suction speed 4 operating speeds

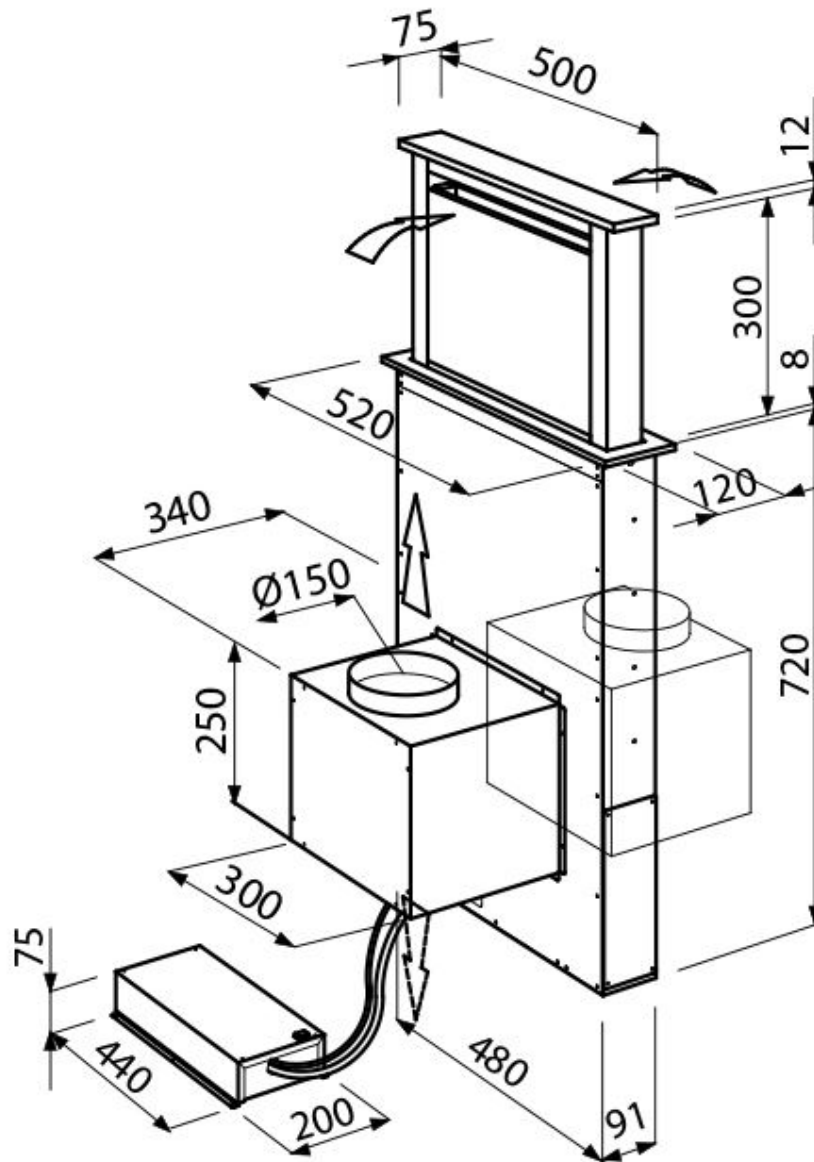
Notes: Fume exhaust ducts must have an internal diameter not lower than 120 mm

FEATURES

Auto delayed shutdown All the models with electronic interface can be programmed to turn off the suction at a postponed moment, so as to prolong the aeration of the room even after the cooking has been completed.

Filter cleaning notice This function keeps track of the hours of use of the hood and signals the need to wash the filters in order to maintain the perfect efficiency of the hood.

TECHNICAL DATA



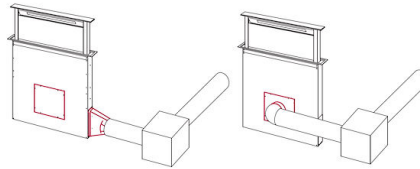
GALLERY



OPTIONAL ACCESSORIES



Carbon filters kit



Remote engine installation kit