

Hood FL Slim black mirror

Hoods

Code: 2450 690

Code: 2450 690 corpo cappa black mirror

Code: 2454 000 kit camino telescopico



DETAILS

Coloring Black Mirror

Material Stainless steel

Texture Satin Finish - tempered glass

Chimney height Aspiring mode: 320-500 mm / filtering mode: 370-560 mm

Energy class A

Product details Telescopic chimney opz

Grease filters 5 grease filters in stainless steel

Operation Suction hood (filtering mode with optional carbon filters)

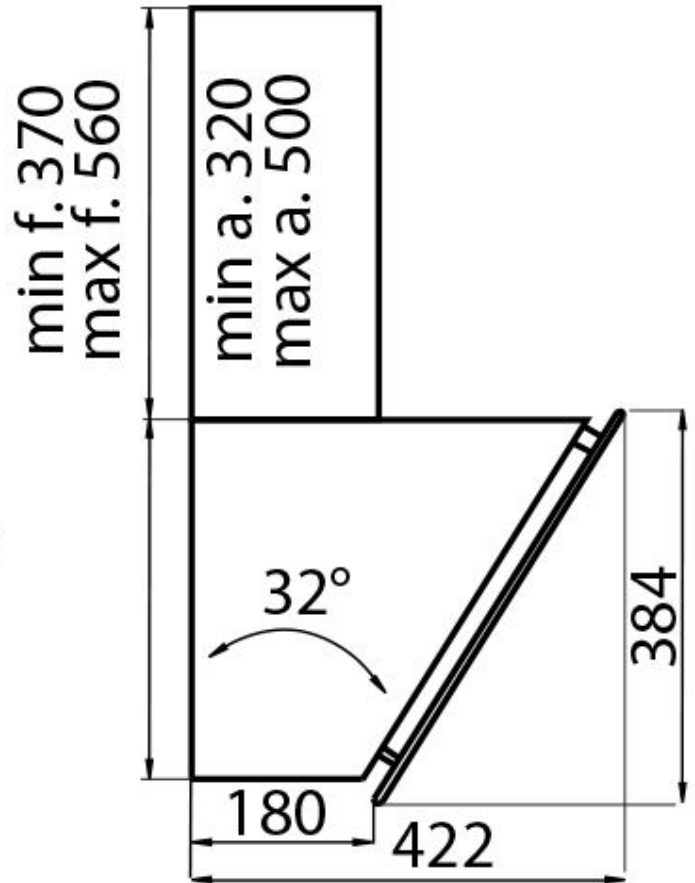
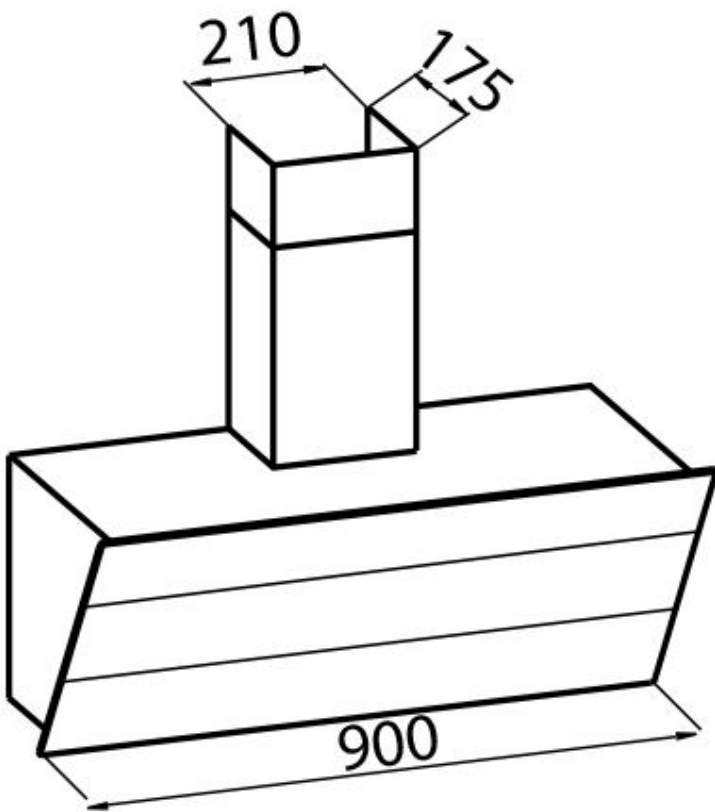
Air exhaust hole \varnothing 120/150 mm

Lighting	Lighting 2x2,1 W LED
Air flow rate	725mc/h
Motor power	175W
Hood type	Wall-mounted suction hood
Type of commands	Touch Control
Suction speed	4 operating speeds
Notes:	Fume exhaust ducts must have an internal diameter not lower than 120 mm

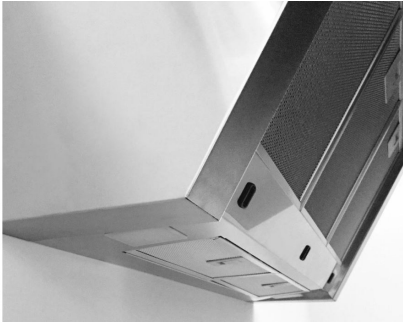
FEATURES

Auto delayed shutdown	All the models with electronic interface can be programmed to turn off the suction at a postponed moment, so as to prolong the aeration of the room even after the cooking has been completed.
Auto mode function	With the Auto function the hood has temperature sensors and it can automatically set the suction power according to the heat developed by the cooker hob underneath.
Led lighting	Particular attention to energy saving with LED lighting systems. They assure a 10 times lower consumption and a 10 times longer duration. Our LED lights are designed to create an adequate comfort and safety in the cooking area.
Steel filters	Where the filter is in plain sight, the aluminium filtering element is covered in stainless steel. This solution improves the look and increases the durability of the product.

TECHNICAL DATA



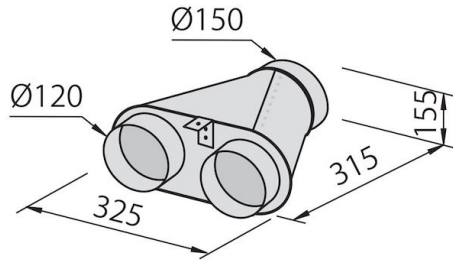
GALLERY



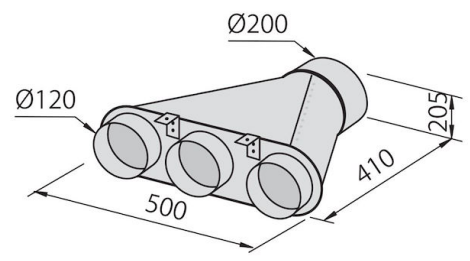
OPTIONAL ACCESSORIES



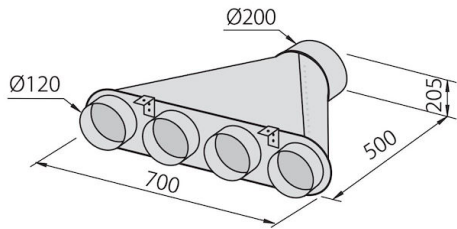
Carbon filters kit
9700 524



Collector for 2 pipes
2523 000



Collector for 3 pipes
2524 000



Collector for 4 pipes
2525 000



Flexible silencing canalization
9700 602



Flexible silencing canalization
9700 603