

## Sink KE 2222 05x

Kitchen Sinks

Code: 2222 05x

Code: 2222 051 DX (Vasca a destra)

Code: 2222 052 SX (Vasca a sinistra)



### DETAILS

Finish Foster brushed

---

Material AISI 304 stainless steel

---

Texture Foster brushed

---

Base 90 cm

---

Edge/Installation Type Flat Edge

---

Dimensions 1173x513 mm

---

Standard fittings Fixing hooks, gasket, drain, overflow and siphon, boxed packing

---

Mixer holes 1 standard hole - 2nd hole on request

---

Built-in hole 1140x480 mm

---

Drainer Yes

---

Width 117 cm

---

Bowl dimension 340x400mm

---

Number of bowls 2 bowls

---

Waste fitting 3,5" drain

---

## FEATURES

High thickness 1mm thick steel. A significant thickness, which guarantees the maximum sturdiness and durability.

---

Basket 3,5" waste fitting The drain is equipped with a large 3.5" drain, with the practical basket cap that prevents the discharge of solid parts.

---

Perimetral overflow The overflow is always a security on the Foster sinks that prevents the overflow of water in case of oversights. The perimeter drain solution improves aesthetics thanks to its square and essential shape.

---

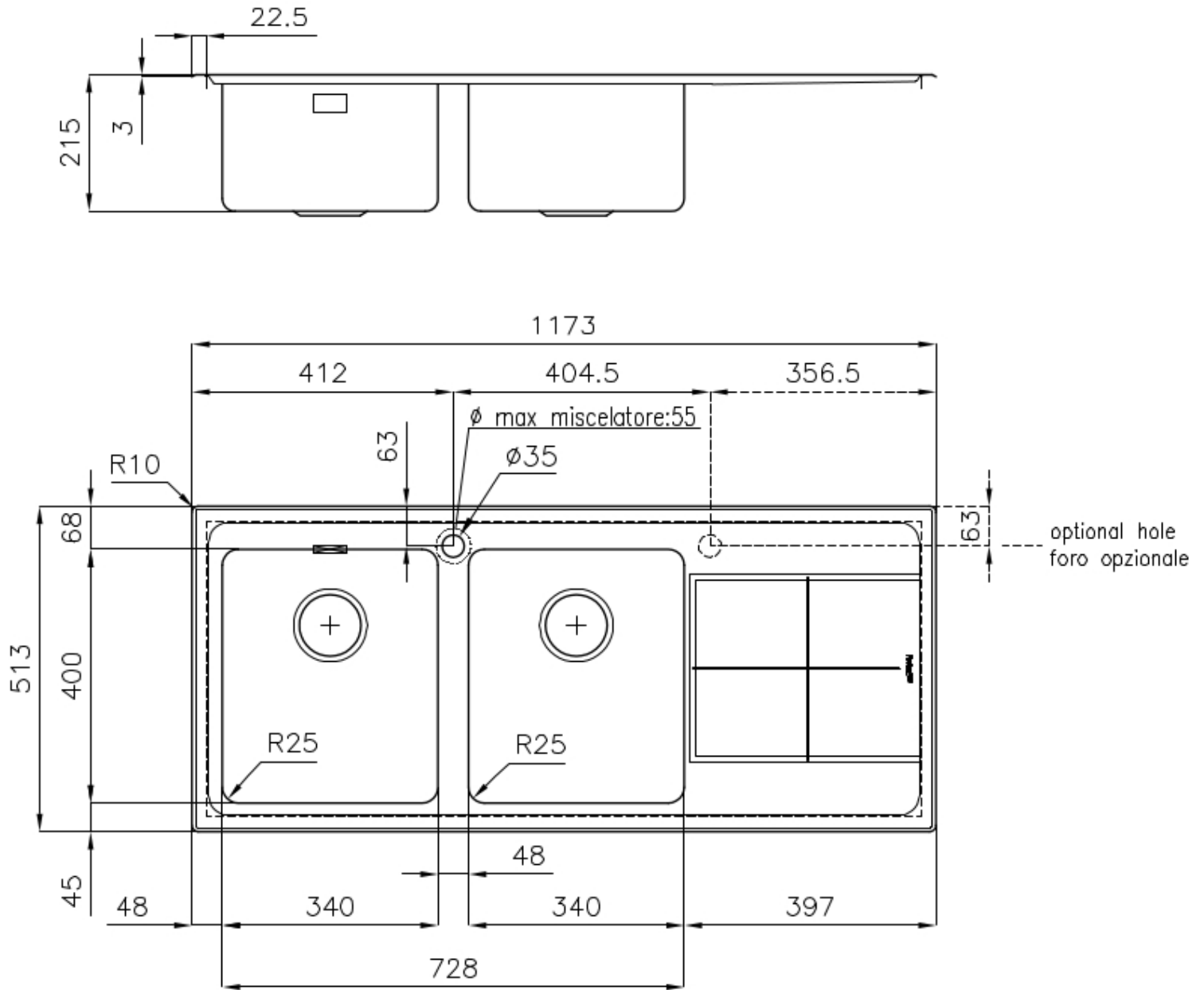
Small radius Bowls with squared shapes with a modern design and an increased capacity, for a minimal aesthetics connected with an extreme practicality.

---

Deep bowls This bowls reach an important depth, over 20 cm, thanks to the advanced production technology, that can be offer great capiciency and practicality in all the washing operations.

---

## TECHNICAL DATA



## OPTIONAL ACCESSORIES



Glass chopping board 8631 300



HPDE Chopping board 8657 001



HPDE Twin chopping board 8644 101



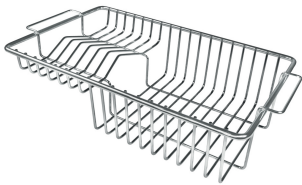
Iroko-wood chopping board with stainless steel colander 8644 042



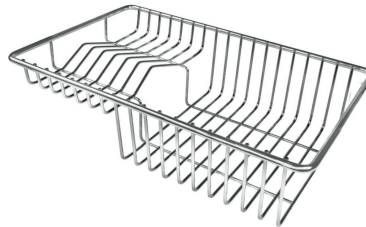
Iroko-wood sliding chopping board 8644 041



Stainless steel basket 8611 000



Stainless steel plate rack 8100 201



Stainless steel plate rack 8100 303



White bowl 8153 100



Graters kit with ring-holder and food collection tray 8159 101



Stainless steel perforated tray 8151 000

**WARNING:**

The accessories 8159101, 8100303,8151000 are only usable in combination with 8644101

## RECOMMENDED PAIRINGS



Mixer Tap KE 8492 000



Mixer Tap Tre Alto 8468 000

## OPTIONAL AUTOMATIC WASTE FITTINGS



Automatic waste fitting 8407 113



Space automatic waste fitting 8407 108



Space automatic waste fitting 8407 109



Space Light automatic waste fitting 8407 117



Space Milano automatic waste fitting 8407 115



Space Push automatic waste fitting 8407 116