

Sink KE - R15 Vintage Gun Metal

Kitchen Sinks

Code: 2156 886



DETAILS

Coloring Gun Metal

Edge/Installation Type Undermount

Finish PVD

Material AISI 304 stainless steel

Texture Vintage

Base 45 cm

Dimensions 440x440 mm

Standard fittings Fixing hooks, gasket, drain, overflow and siphon, boxed packing

Mixer holes No standard holes

Built-in hole [View technical data sheet](#)

Drainer No

Width 44 cm

Bowl dimension 400 x 400 mm

Number of bowls 1 bowl

Waste fitting 3,5" drain

FEATURES

VINTAGE PVD The prestigious PVD finish combines with the care for detail of the Vintage finish, to create a combination of unique elegance.

Gun Metal The Gun Metal finish is obtained by treating steel with a physical process called PVD (Physical Vacuum Deposition) which deposits particles of noble metals on the surface. The result is a unique and refined aesthetic effect, and an improvement of the mechanical properties of the steel which is more resistant to impact and scratches.

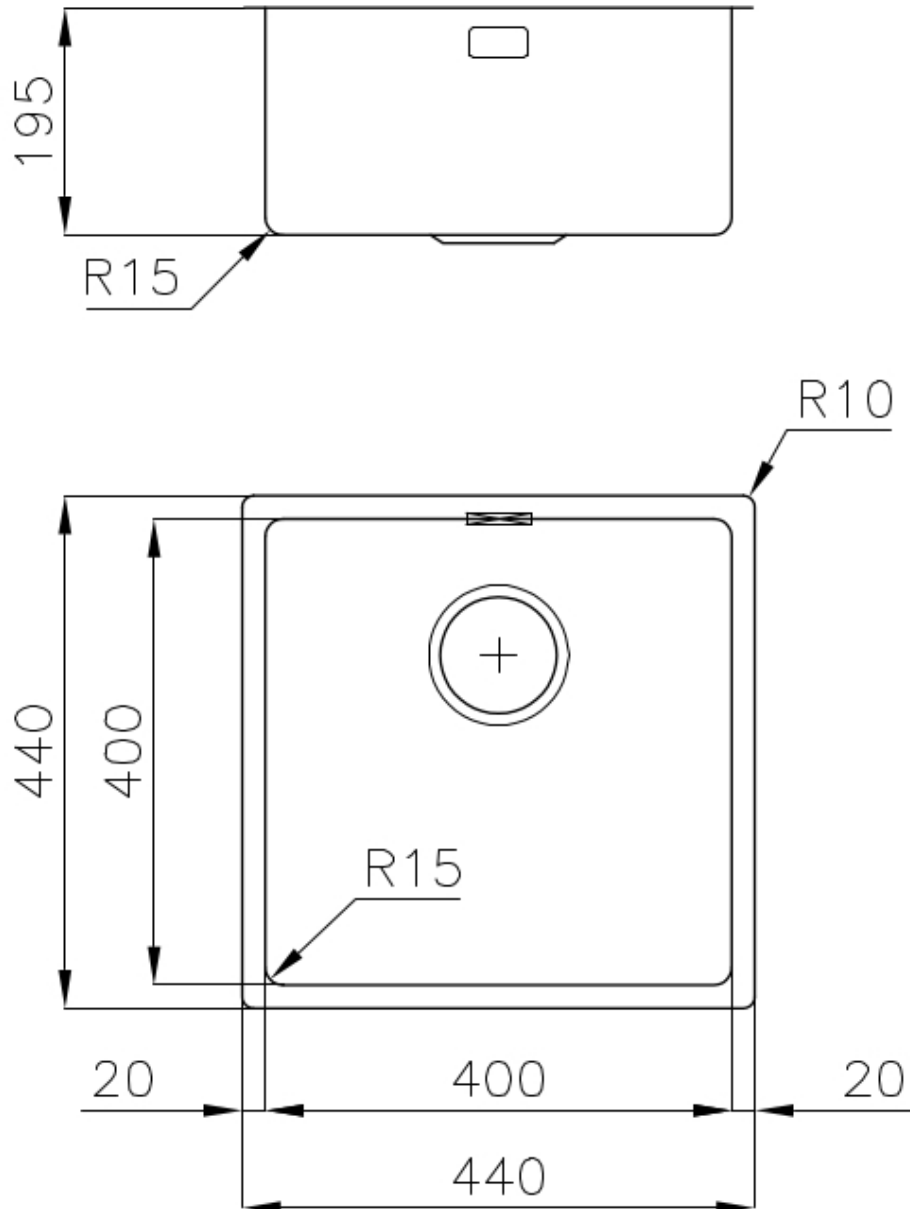
Basket 3,5" waste fitting The drain is equipped with a large 3.5" drain, with the practical basket cap that prevents the discharge of solid parts.

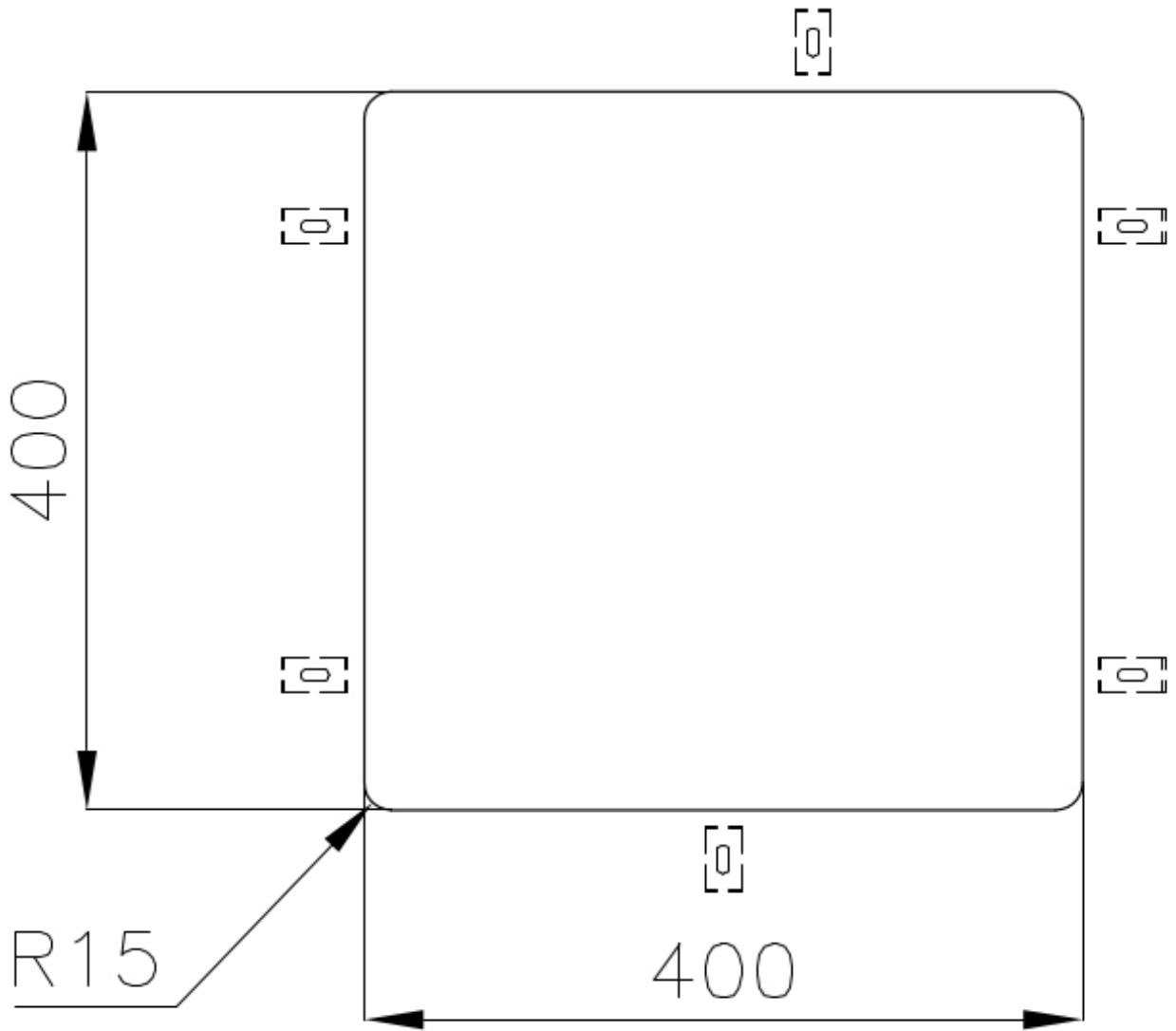
High thickness 1mm thick steel. A significant thickness, which guarantees the maximum sturdiness and durability.

Perimetral overflow The overflow is always a security on the Foster sinks that prevents the overflow of water in case of oversights. The perimeter drain solution improves aesthetics thanks to its square and essential shape.

Small radius Bowls with squared shapes with a modern design and an increased capacity, for a minimal aesthetics connected with an extreme practicality.

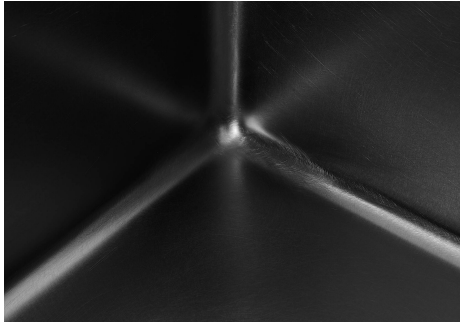
TECHNICAL DATA





Cut out size
Dimensioni per foratura top

GALLERY



OPTIONAL ACCESSORIES



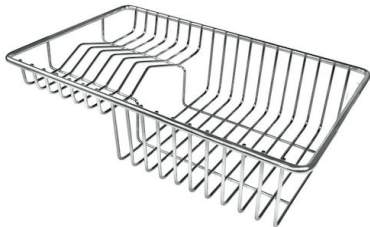
Glass chopping board
8631 300



HDPE Chopping board
8657 001



HPDE Twin chopping board
8644 101



Stainless steel plate rack
8100 303



White bowl
8153 100



Black grid
8100 617

* only in combination with the accessory
8644 101



Black grid
8100 651



Graters kit with ring-holder and food collection tray
8159 101
* only in combination with the accessory
8644 101



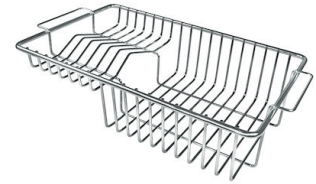
Iroko-wood sliding chopping board with stainless steel colander
8644 044



Stainless steel perforated tray
8151 000
* only in combination with the accessory
8644 101



Stainless steel perforated tray PVD Gun Metal
8151 006
* only in combination with the accessory
8644 101



Stainless steel plate rack
8100 201

RECOMMENDED PAIRINGS



Mixer Tap Omega Gun Metal
8497 856



Mixer Tap Skin Gun Metal
8424 856

OPTIONAL AUTOMATIC WASTE FITTINGS



Automatic waste fitting - PM
8407 113



Space automatic waste fitting - PA
8407 108



Space automatic waste fitting - PE
8407 109



**Space Light automatic waste fitting
- PL**
8407 117



**Space Milano automatic waste
fitting**
8407 115



**Space Push automatic waste fitting
- PP**
8407 116