

## Sink KE Gun Metal

Kitchen Sinks

Code: 2153 856



### DETAILS

Coloring Gun Metal

---

Edge/Installation Type Undermount

---

Finish PVD

---

Material AISI 304 stainless steel

---

Texture Foster brushed

---

Base 40 cm

---

Dimensions 380x440 mm

---

Standard fittings Fixing hooks, gasket, drain, overflow and siphon, boxed packing

---

Mixer holes No standard holes

---

Built-in hole [View technical data sheet](#)

---

Drainer No

---

Width 38 cm

---

Bowl dimension 340x400mm

---

Number of bowls 1 bowl

---

Waste fitting 3,5" drain

---

## FEATURES

**Gun Metal** The Gun Metal finish is obtained by treating steel with a physical process called PVD (Physical Vacuum Deposition) which deposits particles of noble metals on the surface. The result is a unique and refined aesthetic effect, and an improvement of the mechanical properties of the steel which is more resistant to impact and scratches.

---

**Basket 3,5" waste fitting** The drain is equipped with a large 3.5" drain, with the practical basket cap that prevents the discharge of solid parts.

---

**High thickness** 1mm thick steel. A significant thickness, which guarantees the maximum sturdiness and durability.

---

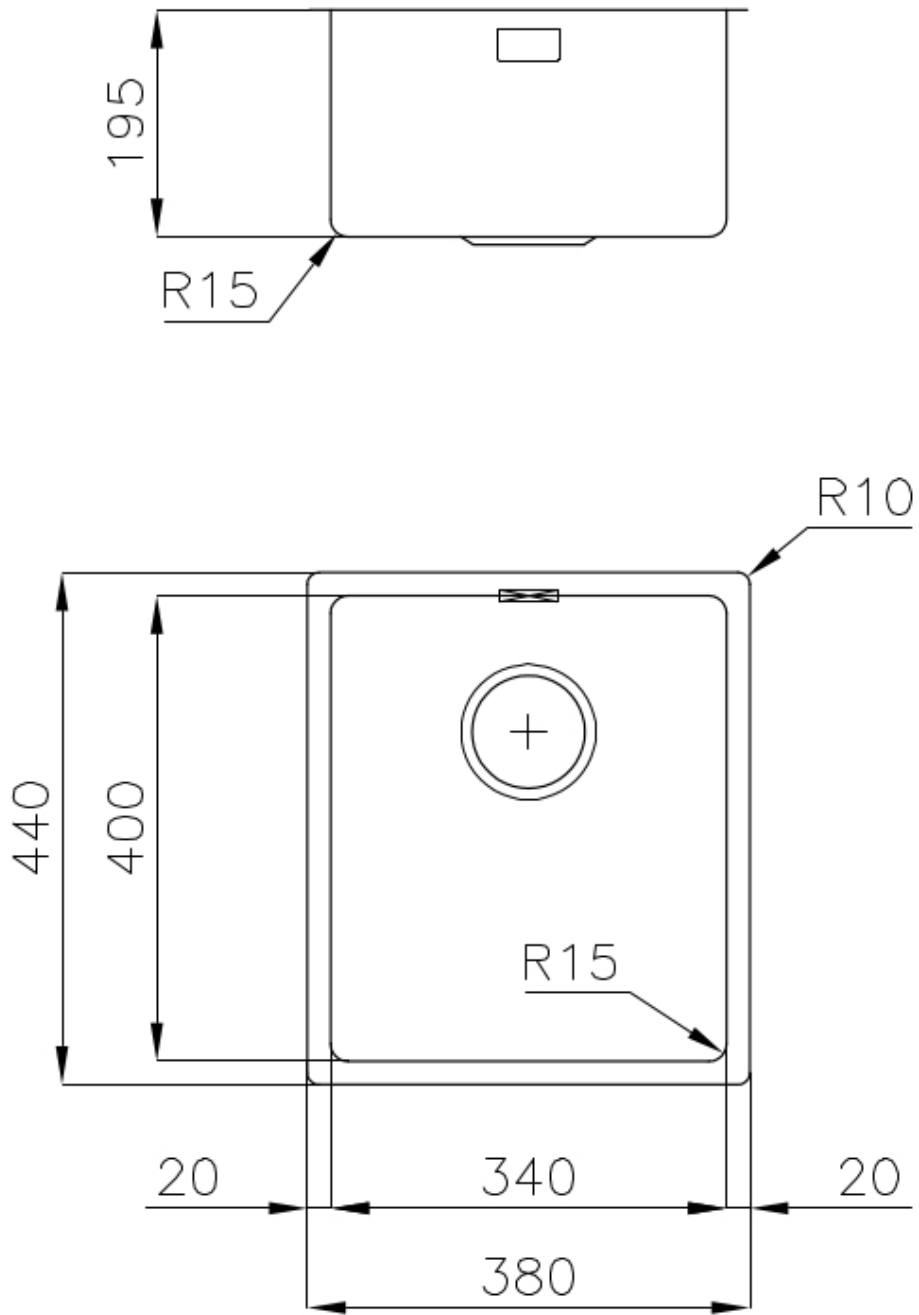
**Perimetral overflow** The overflow is always a security on the Foster sinks that prevents the overflow of water in case of oversights. The perimeter drain solution improves aesthetics thanks to its square and essential shape.

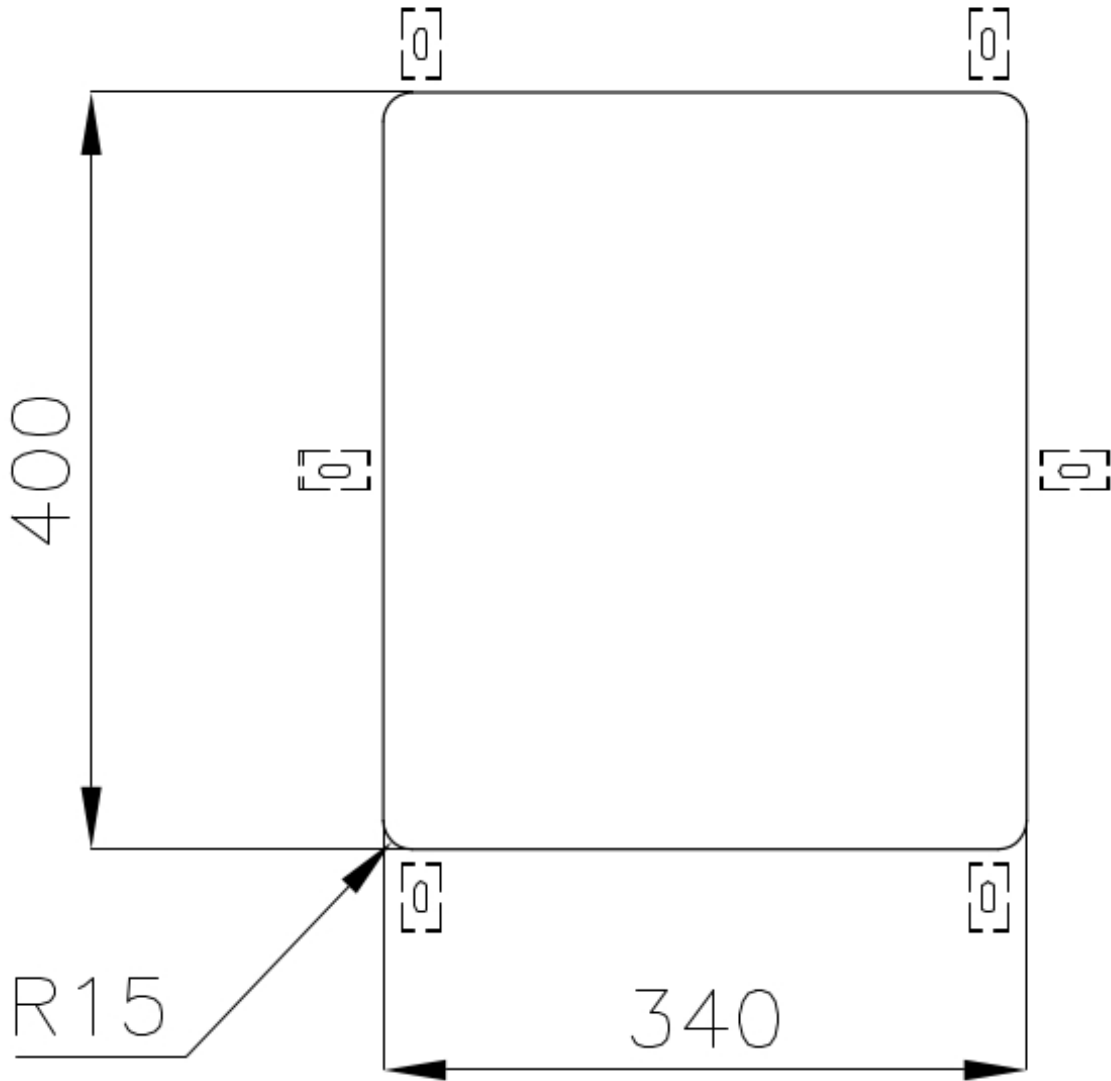
---

**Small radius** Bowls with squared shapes with a modern design and an increased capacity, for a minimal aesthetics connected with an extreme practicality.

---

## TECHNICAL DATA





Cut out size  
Dimensioni per foratura top

## GALLERY



## OPTIONAL ACCESSORIES



**Glass chopping board**  
8631 300



**HDPE Chopping board**  
8657 001



**HPDE Twin chopping board**  
8644 101



**Stainless steel plate rack**  
8100 303

\* only in combination with the accessory  
8644 101



**White bowl**  
8153 100



**Graters kit with ring-holder and  
food collection tray**

8159 101  
\* only in combination with the accessory  
8644 101



**Iroko-wood sliding chopping board  
with stainless steel colander**

8644 044



**Stainless steel perforated tray**

8151 000

\* only in combination with the accessory  
8644 101



**Stainless steel perforated tray PVD  
Gun Metal**

8151 006

\* only in combination with the accessory  
8644 101



**Stainless steel plate rack**  
8100 201

## RECOMMENDED PAIRINGS



**Mixer Tap Omega Gun Metal**  
8497 856



**Mixer Tap Skin Gun Metal**  
8424 856

## OPTIONAL AUTOMATIC WASTE FITTINGS



**Gun Metal automatic waste fitting - PG**  
8407 110



**Space Push Gun Metal automatic waste fitting - PO**  
8407 120