

Sink KE - R15

Kitchen Sinks

Code: 2151 850



DETAILS

| | |
|------------------------|-----------------------------------------------------------------|
| Edge/Installation Type | Undermount |
| Finish | Foster brushed |
| Material | AISI 304 stainless steel |
| Texture | Foster brushed |
| Base | 30 cm |
| Dimensions | 222x442 mm |
| Standard fittings | Fixing hooks, gasket, drain, overflow and siphon, boxed packing |
| Mixer holes | No standard holes |
| Built-in hole | View technical data sheet |

Drainer No

Width 22 cm

Bowl dimension 180x400mm

Number of bowls 1 bowl

Waste fitting 3,5" drain

FEATURES

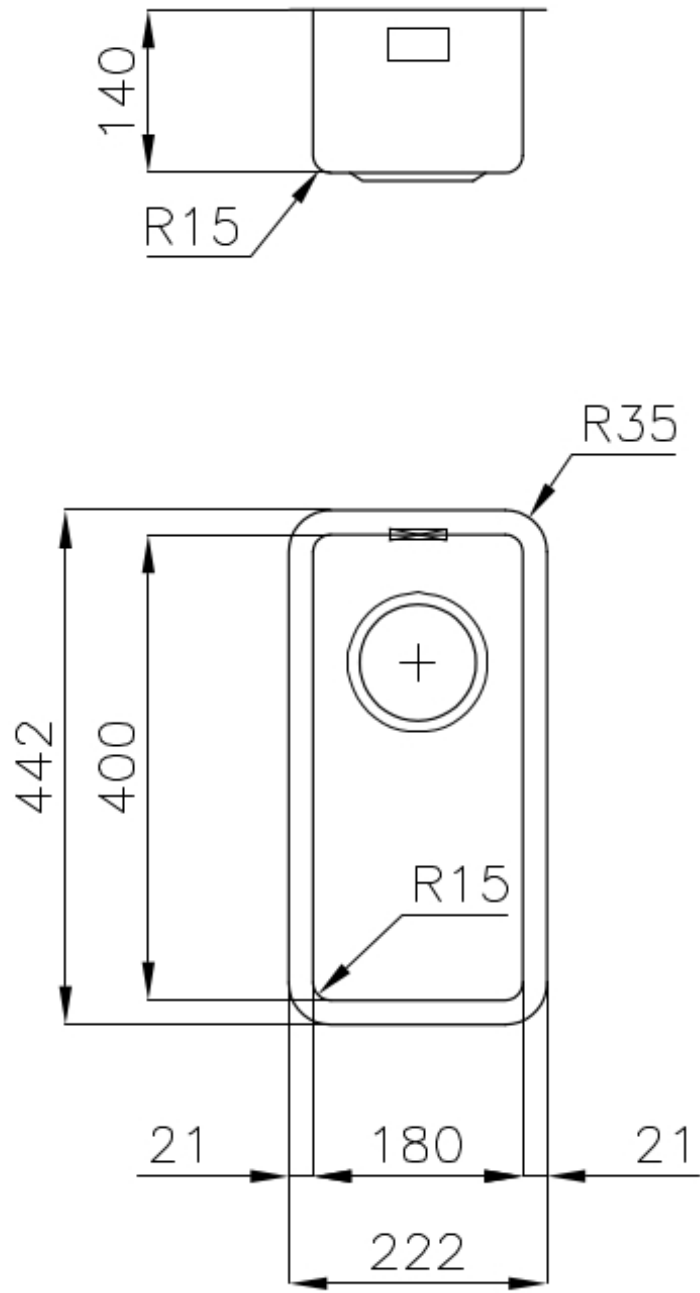
Basket 3,5" waste fitting The drain is equipped with a large 3.5" drain, with the practical basket cap that prevents the discharge of solid parts.

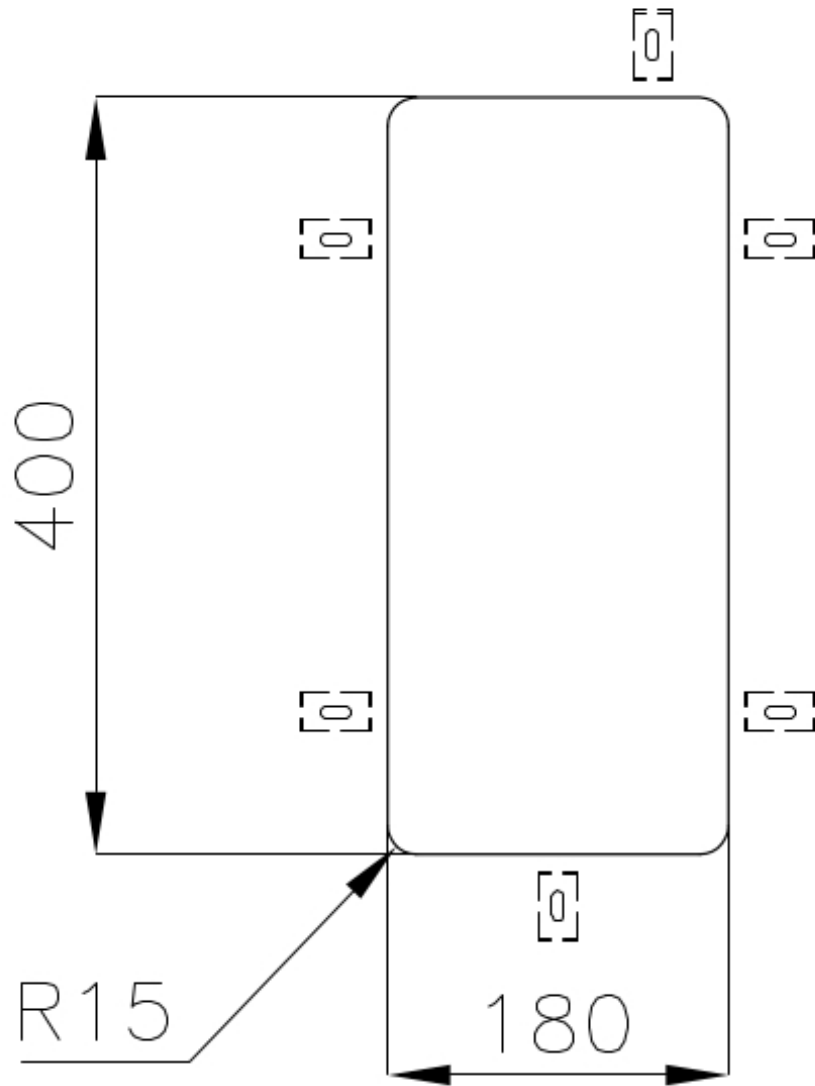
High thickness 1mm thick steel. A significant thickness, which guarantees the maximum sturdiness and durability.

Perimetral overflow The overflow is always a security on the Foster sinks that prevents the overflow of water in case of oversights. The perimeter drain solution improves aesthetics thanks to its square and essential shape.

Small radius Bowls with squared shapes with a modern design and an increased capacity, for a minimal aesthetics connected with an extreme practicality.

TECHNICAL DATA





Cut out size
Dimensioni per foratura top

RECOMMENDED PAIRINGS



Mixer Tap Camillo
8467 000



Mixer Tap Lorenzo
8466 000

OPTIONAL AUTOMATIC WASTE FITTINGS



Automatic waste fitting - PM
8407 113



Space automatic waste fitting - PA
8407 108



Space automatic waste fitting - PE
8407 109



**Space Light automatic waste fitting
- PL**
8407 117



**Space Milano automatic waste
fitting**
8407 115



**Space Push automatic waste fitting
- PP**
8407 116