

## Sink KS 2112 06x

Kitchen Sinks

Code: 2112 06x

Code: 2112 061 DX (Vasca a destra)

Code: 2112 062 SX (Vasca a sinistra)



### DETAILS

Finish Foster brushed

---

Material AISI 304 stainless steel

---

Texture Foster brushed

---

Base 80 cm

---

Edge/Installation Type Standard (8 mm Edge)

---

Dimensions 1160x500 mm

---

Standard fittings Fixing hooks, gasket, drain, overflow and siphon, boxed packing

---

Mixer holes 1 standard hole

---

Built-in hole 1140x480 mm

---

Drainer Yes

---

Width 116 cm

---

Bowl dimension 340x400mm

---

Number of bowls 2 bowls

---

Waste fitting 3,5" drain

---

## FEATURES

Sliding brackets

---

**Added value** Foster uses steel thicknesses higher than those used on average by other manufacturers. This is how, thanks to our long experience, we know how to make sinks of superior quality and with a better resistance to aging.

---

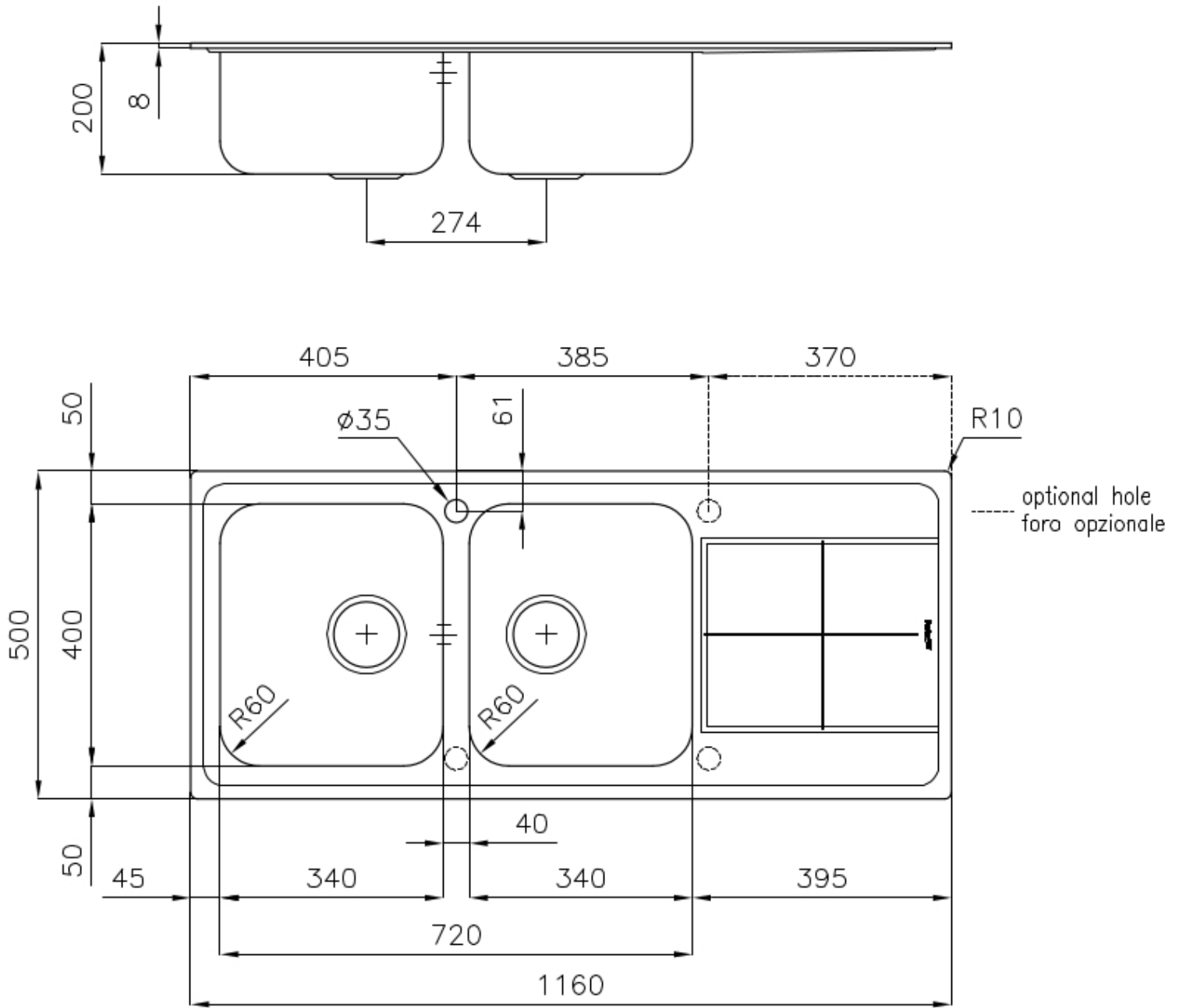
**Basket 3,5" waste fitting** The drain is equipped with a large 3.5" drain, with the practical basket cap that prevents the discharge of solid parts.

---

**Deep bowls** This bowls reach an important depth, over 20 cm, thanks to the advanced production technology, that can be offer great capiciency and practicity in all the washing operations.

---

## TECHNICAL DATA



## OPTIONAL ACCESSORIES



Glass chopping board 8631 300



Glass chopping board 8633 300



HPDE Chopping board 8657 001



HPDE Twin chopping board 8644 101



Iroko-wood chopping board 8647 000



Iroko-wood chopping board with stainless steel colander 8644 042



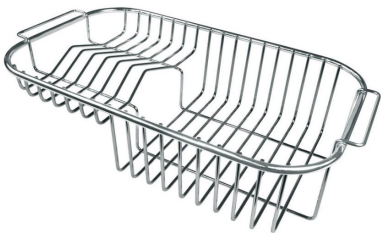
Iroko-wood sliding chopping board 8643 000



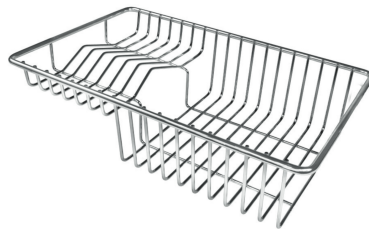
Iroko-wood sliding chopping board 8644 041



Stainless steel basket 8611 000



Stainless steel plate rack 8100 301



Stainless steel plate rack 8100 303



White bowl 8153 100



Graters kit with ring-holder and  
food collection tray 8159 101

**WARNING:**

The accessories 8159101, 8100303,8151000 are only usable in combination with 8644101

**RECOMMENDED PAIRINGS**



Mixer Tap KS Plus 8522 000



Mixer Tap NYC 8486 000