



## Refrigerator

70cm total no frost combined refrigerator

Refrigerators

Code: 2040 030



### DETAILS

Type	Built-in combined refrigerator
Control type	LED interface with touch controls
Lighting	Internal backlighting with LED panel
Door	Reversible - Standard hinges on the right
Total gross capacity	341 lt
Refrigerator net capacity	257 lt
Freezer net Capacity	84 lt
Supply	220 - 240 V; 50/60 Hz
Annual energy consumption	250 kWh

Energy class	E
Climate class	SN, N, ST, T (+10 °C / +43 °C)
Noise level	39 dB - Class C

Dimensions 690 x 550 x 1937 mm

Accessories supplied Egg holder, ice holder

Functions

- Fast cool
- Fast freeze
- Holidays mode
- Cool zone
- Auto clean

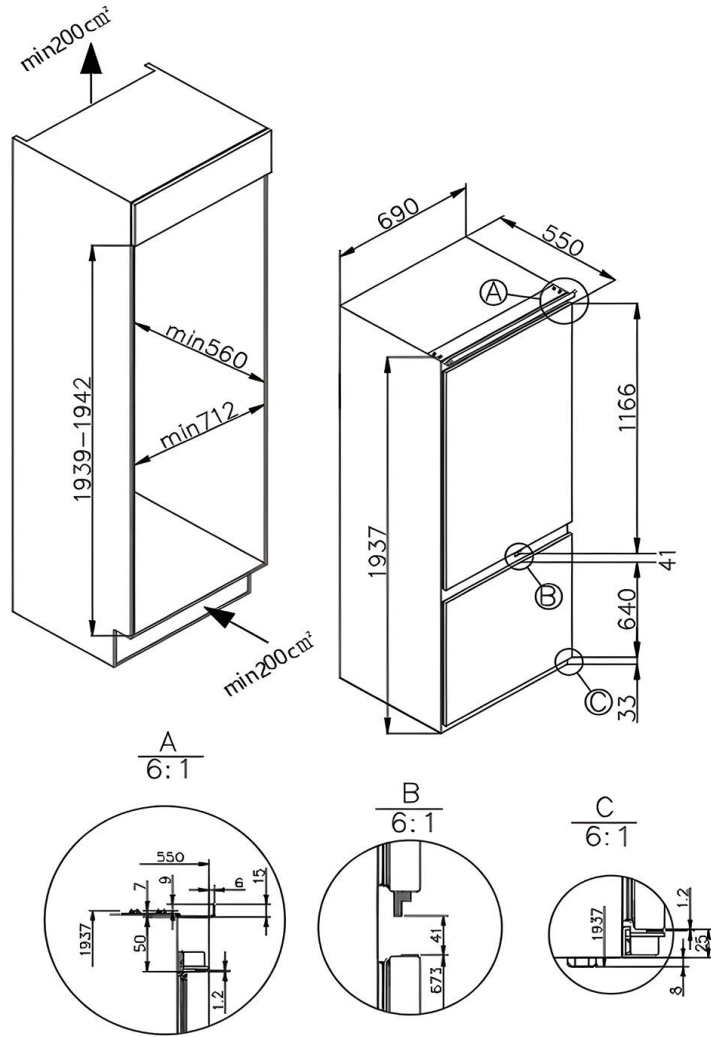
## FEATURES

**LED PANEL** The large, highly efficient backlit LED panel ensures uniform brightness on every level of the refrigerator, ensuring perfect visibility of all foods.

**COOL ZONE** The special Cool Zone drawer is an ideal storage area for fresh food, be it meat or fruit and vegetables, significantly increasing their period of preservation. The ventilation of the refrigerator compartment is channelled directly into the drawer, thus maintaining a temperature lower than that one in the rest of refrigerator.

**TOTAL NO FROST** The No-Frost technology removes moisture from the freezer with a forced ventilation system in controlled temperature and humidity conditions. No more ice that reduces the usable volume, glues packings one to the other and compromises performance.

## TECHNICAL DATA



## GALLERY

