

Sink Foster Marine 1977 96x

Kitchen Sinks

Code: 1977 96x

Code: 1977 961 DX (Vasca a destra)

Code: 1977 962 SX (Vasca a sinistra)



DETAILS

Material Stainless steel AISI 316

Texture Foster brushed

Base 60-80 cm

Edge/Installation Type Flat Edge

Dimensions 983x513 mm

Standard fittings Fixing hooks, gasket, drain, overflow and siphon, boxed packing

Mixer holes 1 standard hole - 2nd and 3rd on request

Built-in hole 950x480 mm

Drainer Yes

Width 98 cm

Bowl dimension 362,5x400 + 150x300mm

Notes: Preassembled seals

Number of bowls 2 bowls

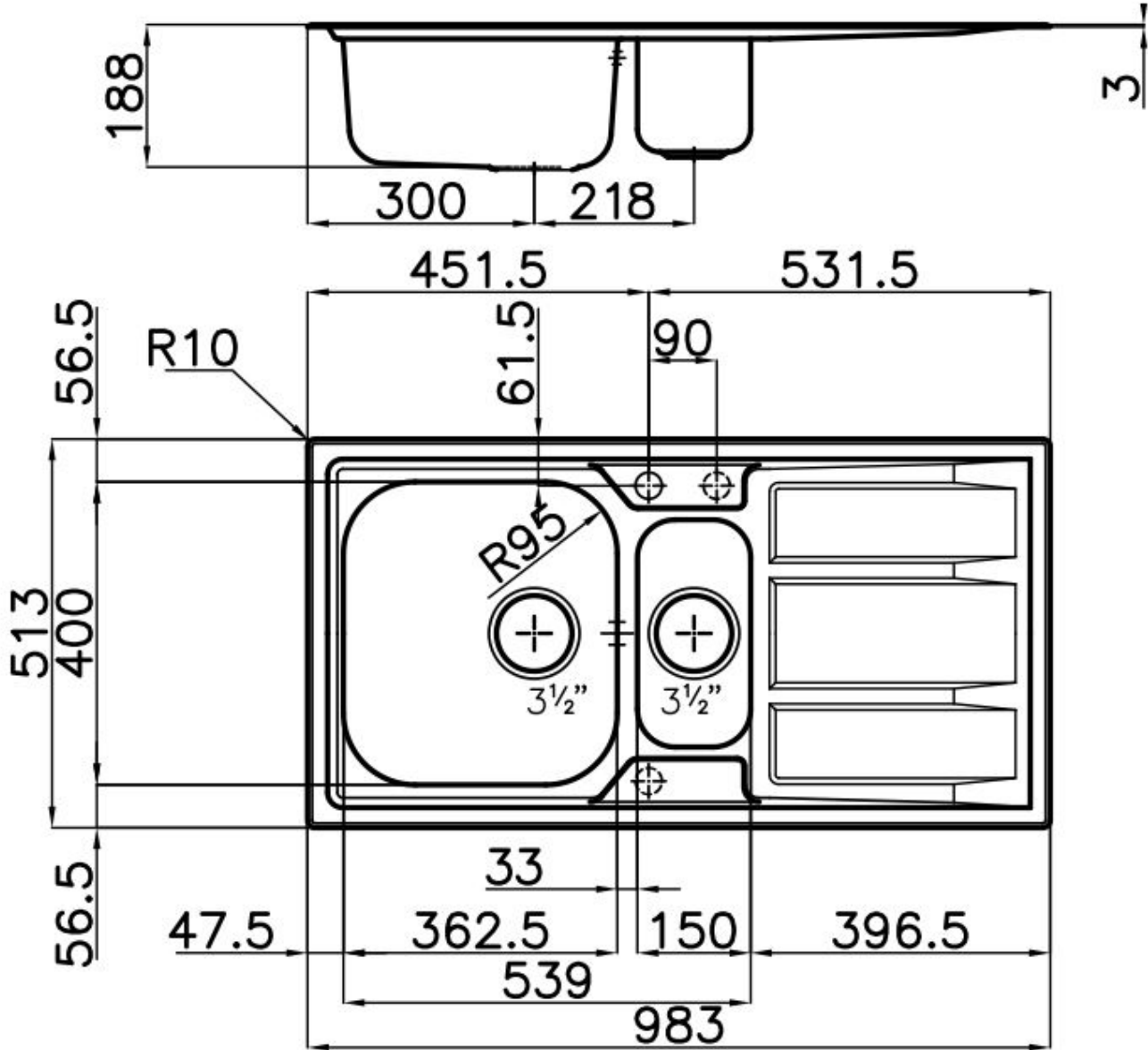
Waste fitting 3,5" drain

FEATURES

Basket 3,5" waste fitting The drain is equipped with a large 3.5" drain, with the practical basket cap that prevents the discharge of solid parts.

2nd / 3rd hole available The sink can be customized with the execution on request of additional holes, usable for double-hole mixers, for remote controlled drains or for the installation of soap dispensers. The positions are marked on the drawings with dotted line holes.

TECHNICAL DATA



OPTIONAL ACCESSORIES



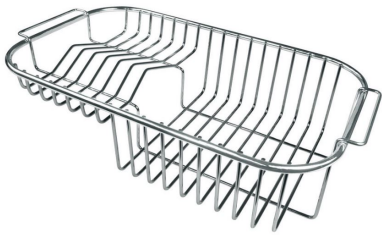
Glass chopping board 8631 300



HPDE Chopping board 8657 001



Stainless steel basket 8611 000



Stainless steel plate rack 8100 301



White colander 8151 100

OPTIONAL AUTOMATIC WASTE FITTINGS



Automatic waste fitting 8407 000



Automatic waste fitting 8407 100



LIRA automatic waste fitting
8407 102



LIRA automatic waste fitting
8407 103