

Sink Foster Marine 1975 96x

Kitchen Sinks

Code: 1975 96x

Code: 1975 961 DX (Vasca a destra)

Code: 1975 962 SX (Vasca a sinistra)



DETAILS

Material Stainless steel AISI 316

Texture Foster brushed

Base 45 cm

Edge/Installation Type Flat Edge

Dimensions 873x513 mm

Standard fittings Fixing hooks, gasket, drain, overflow and siphon, boxed packing

Mixer holes 1 standard hole - 2nd hole on request

Built-in hole 840x480 mm

Drainer Yes

Width 87 cm

Bowl dimension 362,5x400mm

Notes: Preassembled seals

Number of bowls 1 bowl

Waste fitting 3,5" drain

FEATURES

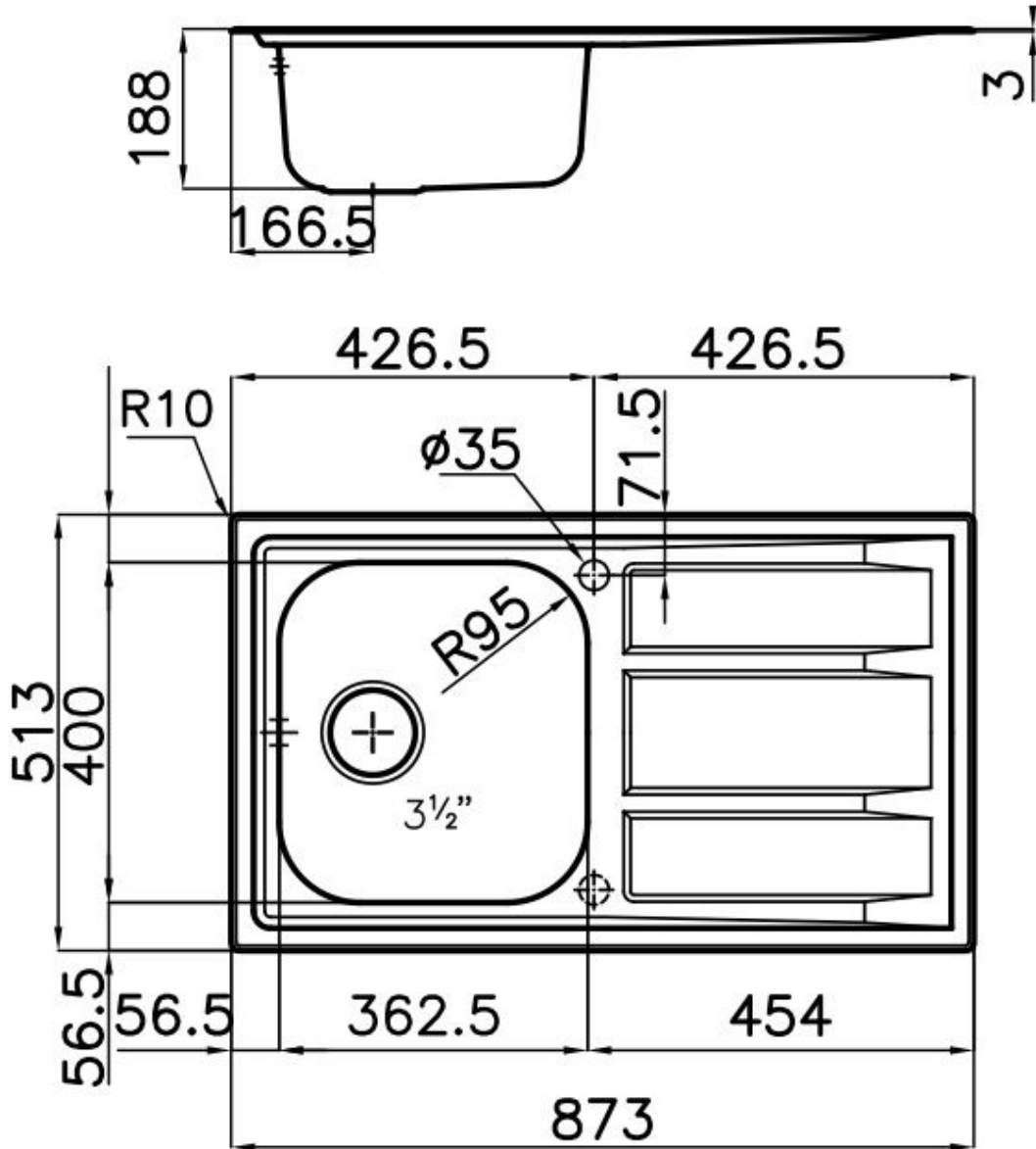
Marine stainless steel The Marine collection of sinks and hobs uses AISI 316 stainless steel, a superior quality material and widely used in the marine industry, which guarantees the best resistance to the corrosive effects of acids contained in food, salt and detergents.

Pre-installed gasket The pre-assembled gasket allows a comfortable and quick installation.

Basket 3,5" waste fitting The drain is equipped with a large 3.5" drain, with the practical basket cap that prevents the discharge of solid parts.

2nd / 3rd hole available The sink can be customized with the execution on request of additional holes, usable for double-hole mixers, for remote controlled drains or for the installation of soap dispensers. The positions are marked on the drawings with dotted line holes.

TECHNICAL DATA



GALLERY



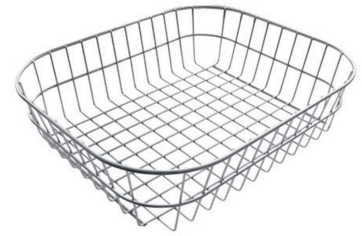
OPTIONAL ACCESSORIES



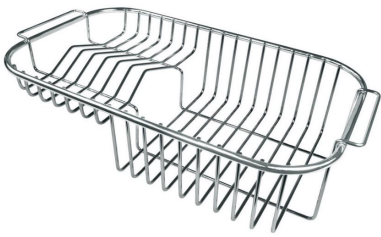
Glass chopping board 8631 300



HPDE Chopping board 8657 001



Stainless steel basket 8611 000



Stainless steel plate rack 8100 301

OPTIONAL AUTOMATIC WASTE FITTINGS



Automatic waste fitting 8407 000



Automatic waste fitting 8407 100



LIRA automatic waste fitting
8407 102



LIRA automatic waste fitting
8407 103