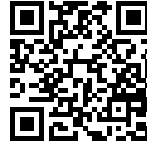


Sink Foster Marine

Kitchen Sinks

Code: 1975 962



DETAILS

Edge/Installation Type	Flat Edge
Material	Stainless steel AISI 316
Texture	Foster brushed
Base	45 cm
Dimensions	873x513 mm
Standard fittings	Fixing hooks, gasket, drain, overflow and siphon, boxed packing
Mixer holes	1 standard hole - 2nd hole on request
Built-in hole	840x480 mm
Drainer	Yes

Width 87 cm

Bowl dimension 362,5x400mm

Notes: Preassembled seals

Number of bowls 1 bowl

Waste fitting 3,5" drain

FEATURES

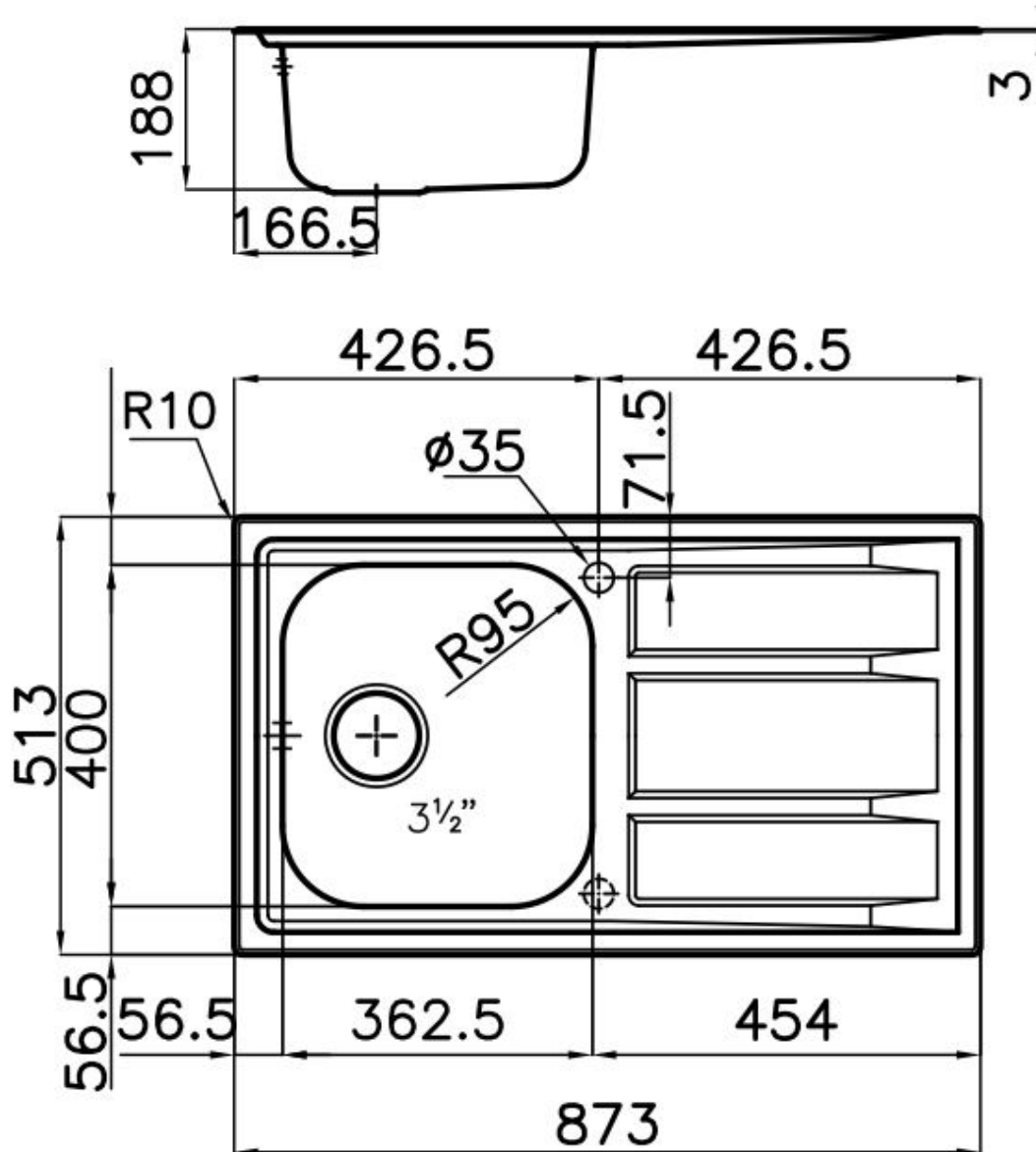
2nd / 3rd hole available The sink can be customized with the execution on request of additional holes, usable for double-hole mixers, for remote controlled drains or for the installation of soap dispensers. The positions are marked on the drawings with dotted line holes.

Basket 3,5" waste fitting The drain is equipped with a large 3.5" drain, with the practical basket cap that prevents the discharge of solid parts.

Marine stainless steel The Marine collection of sinks and hobs uses AISI 316 stainless steel, a superior quality material and widely used in the marine industry, which guarantees the best resistance to the corrosive effects of acids contained in food, salt and detergents.

Pre-installed gasket The pre-assembled gasket allows a comfortable and quick installation.

TECHNICAL DATA



GALLERY



OPTIONAL ACCESSORIES



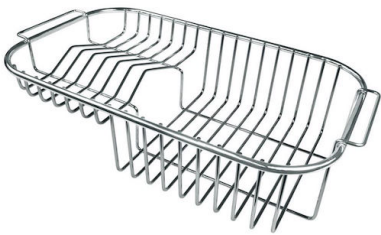
Glass chopping board



HPDE Chopping board



Stainless steel basket



Stainless steel plate rack

OPTIONAL AUTOMATIC WASTE FITTINGS



Automatic waste fitting



Automatic waste fitting



LIRA automatic waste fitting



LIRA automatic waste fitting