

Sink FM Marine

Kitchen Sinks

Code: 1974 960



DETAILS

Edge/Installation Type Standard (8 mm Edge)

Finish Foster brushed

Material Stainless steel AISI 316

Texture Foster brushed

Base 80-90 cm

Dimensions 860x500 mm

Standard fittings Fixing hooks, gasket, drain, overflow and siphon, boxed packing

Mixer holes 1 standard hole

Built-in hole 840x480 mm

Drainer No

Width 86 cm

Bowl dimension 362,5x400mm

Number of bowls 2 bowls

Waste fitting 3,5" drain

FEATURES

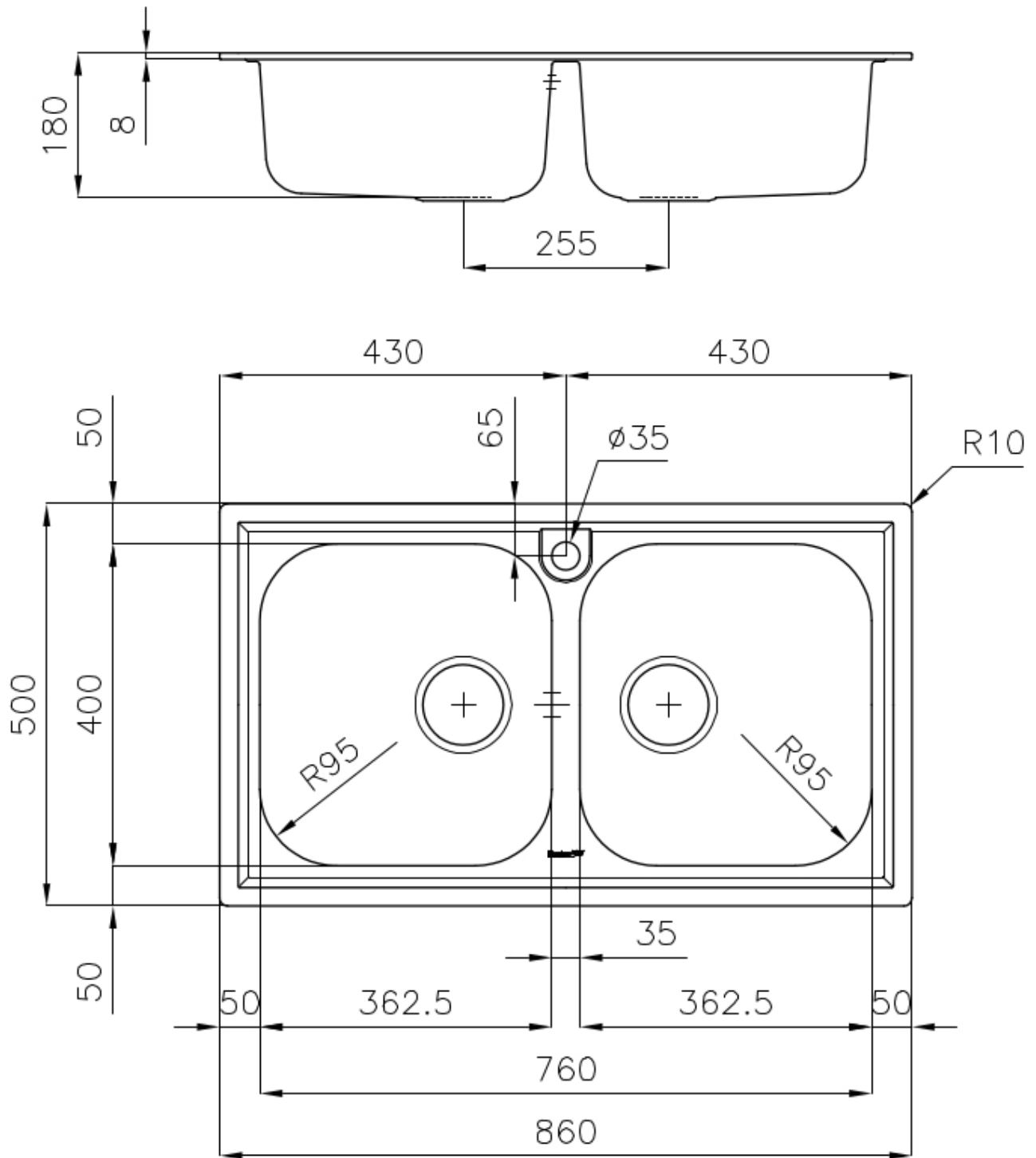
Added value Foster uses steel thicknesses higher than those used on average by other manufacturers. This is how, thanks to our long experience, we know how to make sinks of superior quality and with a better resistance to aging.

Basket 3,5" waste fitting The drain is equipped with a large 3.5" drain, with the practical basket cap that prevents the discharge of solid parts.

Marine stainless steel The Marine collection of sinks and hobs uses AISI 316 stainless steel, a superior quality material and widely used in the marine industry, which guarantees the best resistance to the corrosive effects of acids contained in food, salt and detergents.

Sliding brackets

TECHNICAL DATA



GALLERY



OPTIONAL ACCESSORIES



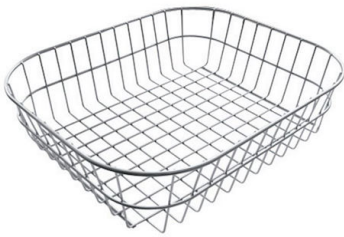
Glass chopping board



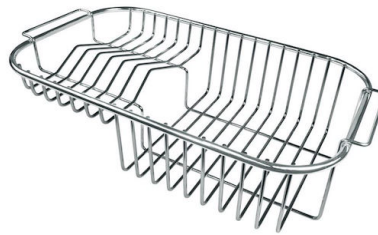
HPDE Chopping board



Iroko-wood sliding chopping board



Stainless steel basket



Stainless steel plate rack

RECOMMENDED PAIRINGS



Mixer Tap Gamma 3 vie - satin



Mixer Tap Lorenzo



Mixer Tap NYC