

## Sink FM

Kitchen Sinks

Code: 1972 461



### DETAILS

Edge/Installation Type      Standard (8 mm Edge)

---

Finish      Foster brushed

---

Material      AISI 304 stainless steel

---

Texture      Microfoster

---

Base      80-90 cm

---

Dimensions      1160x500 mm

---

Standard fittings      Fixing hooks, gasket, drain, overflow and siphon, boxed packing

---

Mixer holes      1 standard hole - 2nd hole on request

---

Built-in hole      1140x480 mm

---

Drainer Yes

---

Width 116 cm

---

Bowl dimension 362,5x400mm

---

Number of bowls 2 bowls

---

Waste fitting 3,5" drain

---

## FEATURES

**2nd / 3rd hole available** The sink can be customized with the execution on request of additional holes, usable for double-hole mixers, for remote controlled drains or for the installation of soap dispensers. The positions are marked on the drawings with dotted line holes.

---

**Added value** Foster uses steel thicknesses higher than those used on average by other manufacturers. This is how, thanks to our long experience, we know how to make sinks of superior quality and with a better resistance to aging.

---

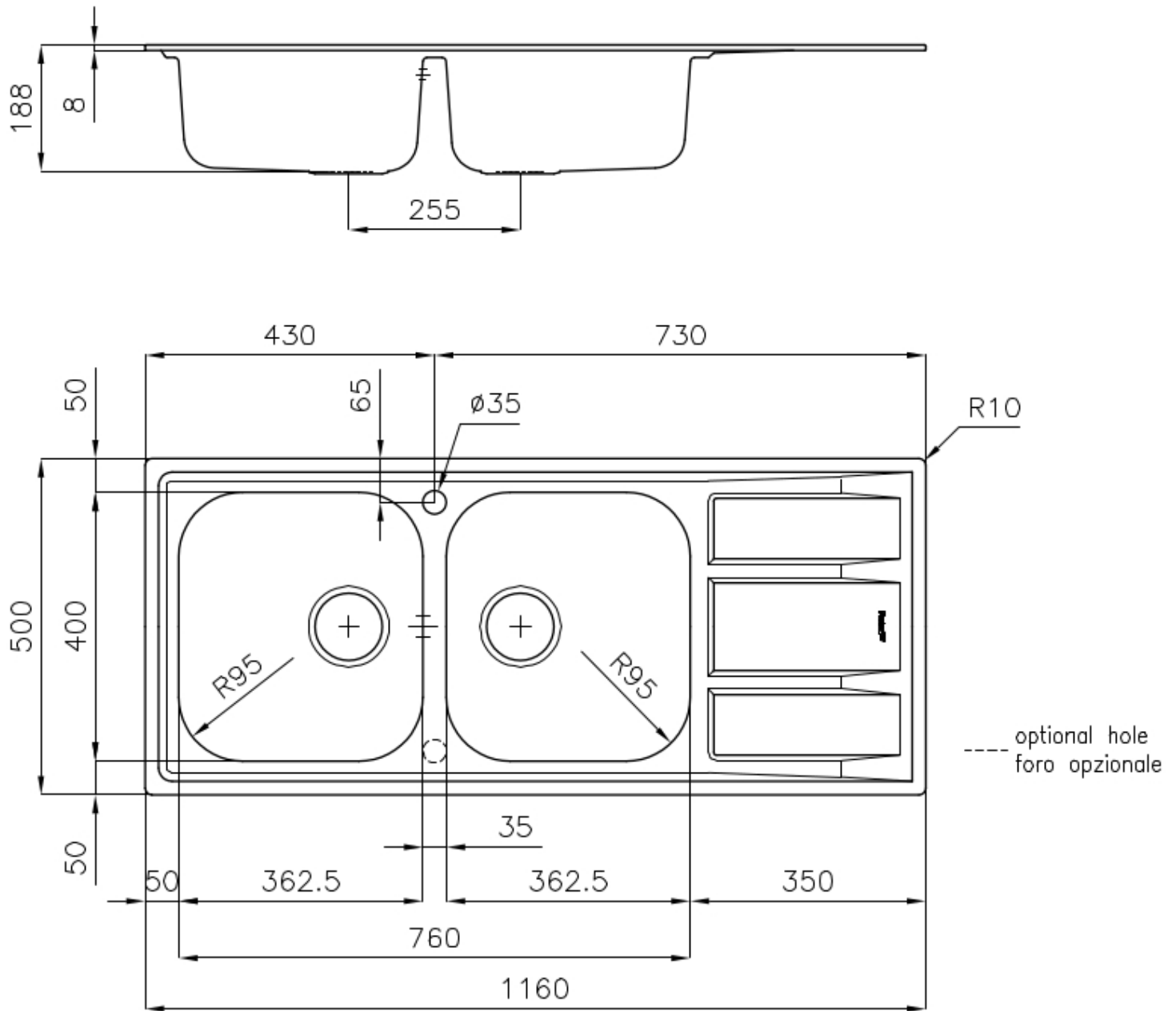
**Basket 3,5" waste fitting** The drain is equipped with a large 3.5" drain, with the practical basket cap that prevents the discharge of solid parts.

---

**Sliding brackets**

---

## TECHNICAL DATA



## GALLERY



## OPTIONAL ACCESSORIES



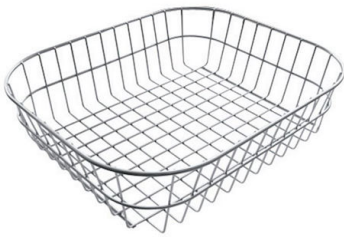
Glass chopping board



HPDE Chopping board



Iroko-wood sliding chopping board



Stainless steel basket



Stainless steel plate rack

## RECOMMENDED PAIRINGS



Mixer Tap Gamma 3 vie - satin



Mixer Tap Lorenzo



Mixer Tap NYC

## OPTIONAL AUTOMATIC WASTE FITTINGS



Automatic waste fitting



Automatic waste fitting



LIRA automatic waste fitting