

Sink FM - 1972 06x

Kitchen Sinks

Code: 1972 06x

Code: 1972 961 DX (Sink on the right)

Code: 1972 962 SX (Sink on the left)



DETAILS

Finish Foster brushed

Material AISI 304 stainless steel

Texture Foster brushed

Base 80-90 cm

Edge/Installation Type Standard (8 mm Edge)

Dimensions 1160x500 mm

Standard fittings Fixing hooks, gasket, drain, overflow and siphon, boxed packing

Mixer holes 1 standard hole - 2nd hole on request

Built-in hole 1140x480 mm

Drainer Yes

Width 116 cm

Bowl dimension 362,5x400mm

Number of bowls 2 bowls

Waste fitting 3,5" drain

FEATURES

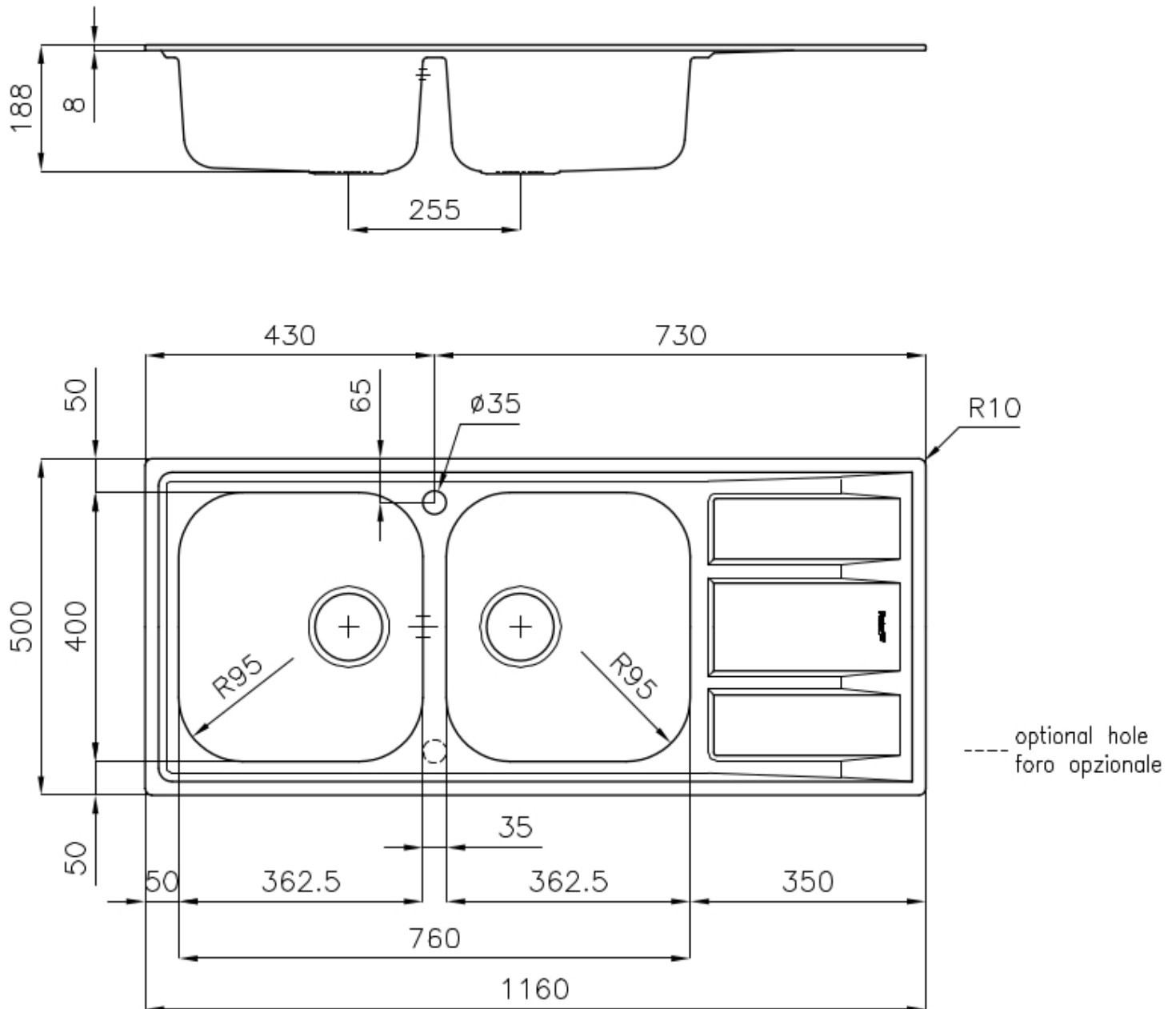
Sliding brackets

Added value Foster uses steel thicknesses higher than those used on average by other manufacturers. This is how, thanks to our long experience, we know how to make sinks of superior quality and with a better resistance to aging.

Basket 3,5" waste fitting The drain is equipped with a large 3.5" drain, with the practical basket cap that prevents the discharge of solid parts.

2nd / 3rd hole available The sink can be customized with the execution on request of additional holes, usable for double-hole mixers, for remote controlled drains or for the installation of soap dispensers. The positions are marked on the drawings with dotted line holes.

TECHNICAL DATA



OPTIONAL ACCESSORIES



Glass chopping board 8631 300



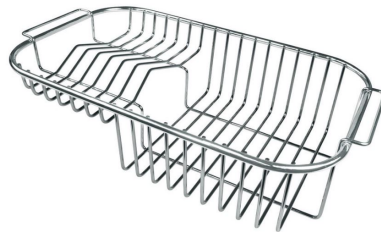
HPDE Chopping board 8657 001



Iroko-wood sliding chopping board 8643 000



Stainless steel basket 8611 000



Stainless steel plate rack 8100 301

RECOMMENDED PAIRINGS



Mixer Tap Gamma 3 vie 8496 100



Mixer Tap Lorenzo 8466 000



Mixer Tap NYC 8486 000

OPTIONAL AUTOMATIC WASTE FITTINGS



Automatic waste fitting 8407 000



Automatic waste fitting 8407 100



LIRA automatic waste fitting
8407 103