

## Sink Elettra 1970 860

Kitchen Sinks

Code: 1970 860



### DETAILS

Finish Foster brushed

---

Material AISI 304 stainless steel

---

Texture Foster brushed

---

Base 45 cm

---

Edge/Installation Type Undermount

---

Dimensions 386,5x424 mm

---

Standard fittings Fixing hooks, gasket, drain, overflow and siphon, boxed packing

---

Mixer holes No standard holes

---

Built-in hole View technical data sheet (for all Flush-mount / Top-mount models and Under-mount models)

---

Drainer No

---

Width 39 cm

---

Bowl dimension 362,5x400mm

---

Number of bowls 1 bowl

---

Waste fitting 3,5" drain

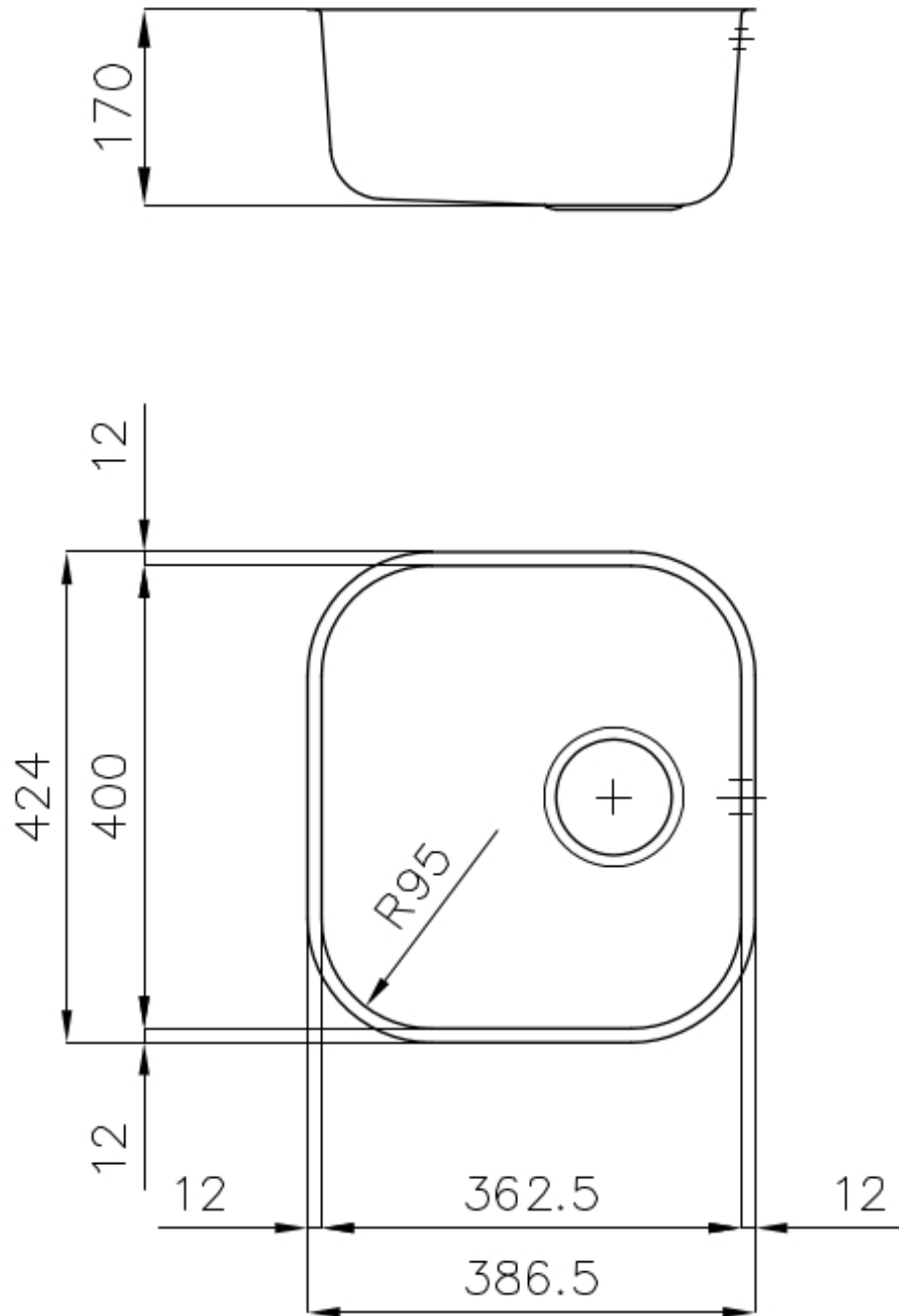
---

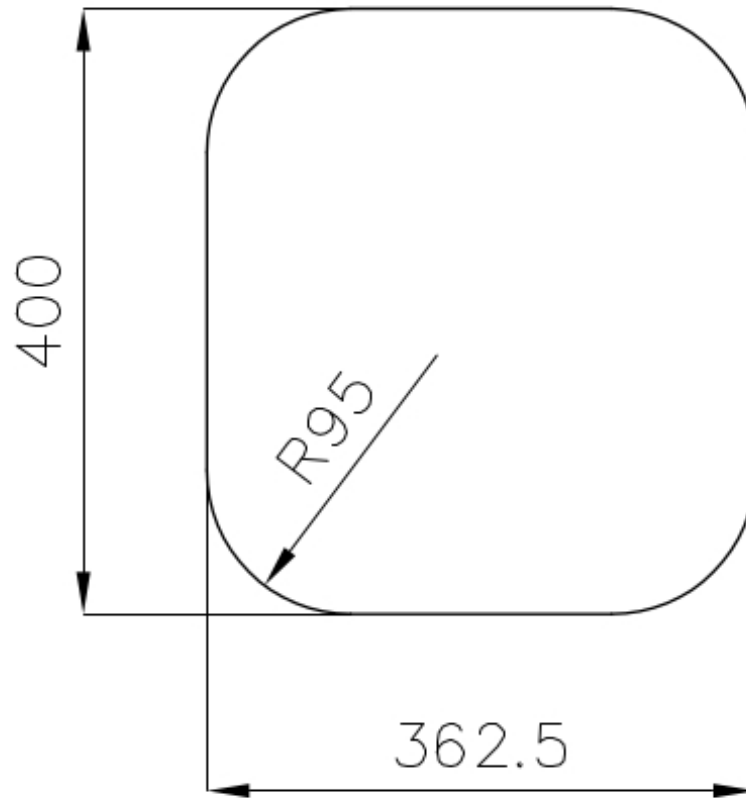
## FEATURES

Basket 3,5" waste fitting The drain is equipped with a large 3.5" drain, with the practical basket cap that prevents the discharge of solid parts.

---

## TECHNICAL DATA





Cut out size  
Dimensioni per foratura top

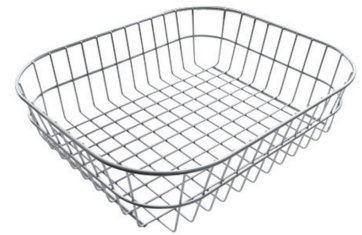
## OPTIONAL ACCESSORIES



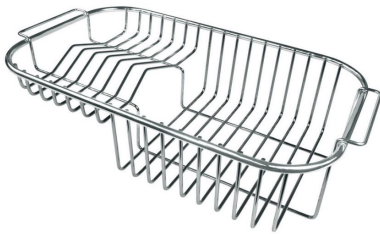
Glass chopping board 8631 300



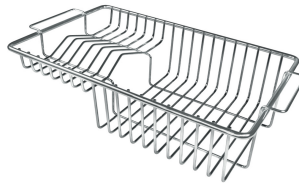
HPDE Chopping board 8657 001



Stainless steel basket 8611 000



Stainless steel plate rack 8100 301



Stainless steel plate rack 8100 201

## RECOMMENDED PAIRINGS



Mixer Tap Delta 8441 000



Mixer Tap Luisa 8482 000

## OPTIONAL AUTOMATIC WASTE FITTINGS



Automatic waste fitting 8407 000



Automatic waste fitting 8407 100



LIRA automatic waste fitting  
8407 102



LIRA automatic waste fitting  
8407 103