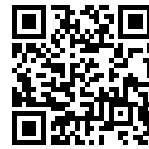


## Sink Quadra R12 Brandy Fumè

Kitchen Sinks

Code: 1717 815



### DETAILS

Material AISI 304 stainless steel

---

Finish PVD

---

Coloring Brandy

---

Texture Fumé

---

Edge/Installation Type Undermount

---

Base 80 cm

---

Dimensions 750 x 440 mm

---

Bowl dimension 710 x 400 mm

---

Width 75 cm

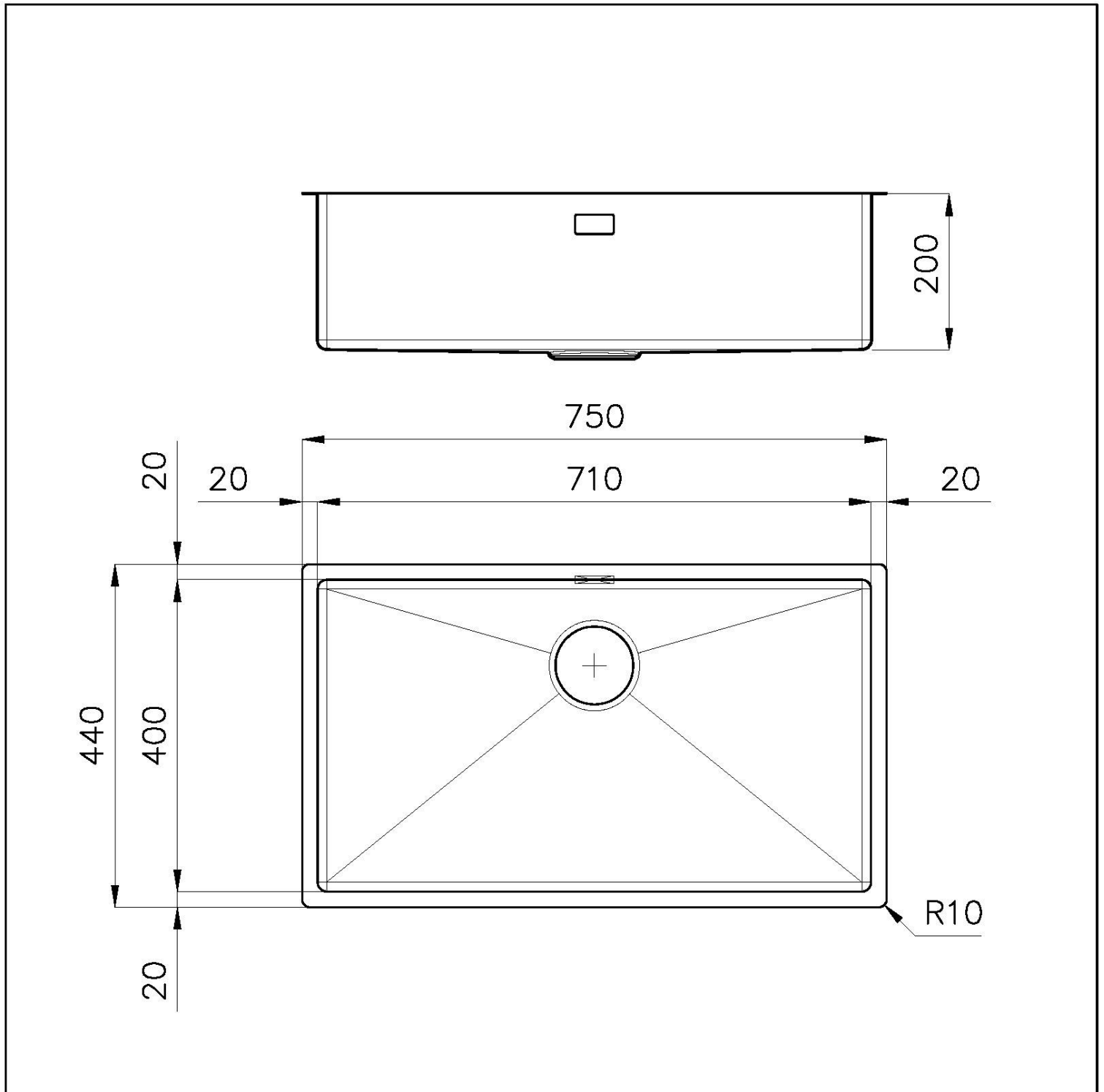
---

Built-in hole	View technical data sheet
Number of bowls	1 bowl
Standard fittings	Fixing hooks, drain, overflow and siphon, boxed packing
Drainer	No
Mixer holes	No standard holes
Waste fitting	Drain SPACE 3,5"

## FEATURES

BRANDY FUMÈ	The Brandy Fumè finish is obtained by treating steel with a physical process called PVD (Physical Vacuum Deposition) which deposits particles of noble metals on the surface. The result is a unique and refined aesthetic effect, and an improvement of the mechanical properties of the steel which is more resistant to impact and scratches.
Deep bowls	This bowls reach an important depth, over 20 cm, thanks to the advanced production technology, that can be offer great capieny and practicity in all the washing operations.
Diamond-shape bottom	The draining of water is an important feature in a sink, and it's always taken good care of in Foster products. In the bent-welded sinks, which would have a flat bottom, the proper draining is guaranteed by the elegant beveling, which helps the water flow.
High thickness	1mm thick steel. A significant thickness, which guarantees the maximum sturdiness and durability.
Perimetral overflow	The overflow is always a security on the Foster sinks that prevents the overflow of water in case of oversights. The perimeter drain solution improves aesthetics thanks to its square and essential shape.
Small radius	Bowls with squared shapes with a modern design and an increased capacity, for a minimal aesthetics connected with an extreme practicity.

## TECHNICAL DATA





**8100 617**  
**POSIZIONATA A FILO VASCA / EDGE POSITIONING**



**8100 617**  
**POSIZIONATA SUL FONDO / BOTTOM POSITIONING**



## GALLERY



## EQUIPMENT



**Black grid**  
8100 617

## OPTIONAL ACCESSORIES



**Glass chopping board**  
8631 300



**Graters kit with ring-holder and food collection tray**  
8159 101  
\* only in combination with the accessory 8644 101



**HDPE Chopping board**  
8657 001



**HDPE Twin chopping board**  
8644 101



**Iroko-wood sliding chopping board with stainless steel colander**  
8644 044



**Stainless steel perforated tray**  
8151 000  
\* only in combination with the accessory 8644 101



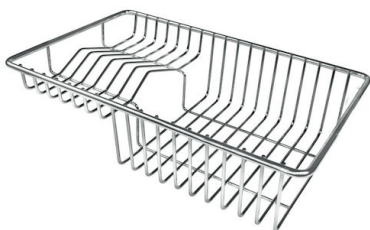
**Stainless steel perforated tray PVD Copper**  
8151 008  
\* only in combination with the accessory 8644 101



**Stainless steel perforated tray PVD Gold**  
8151 009  
\* only in combination with the accessory 8644 101



**Stainless steel perforated tray PVD Gun Metal**  
8151 006  
\* only in combination with the accessory 8644 101



**Stainless steel plate rack**  
8100 303  
\* only in combination with the accessory 8644 101

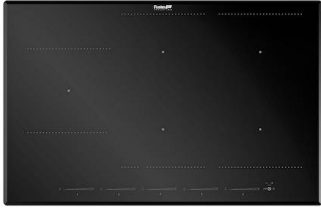


**Stainless steel plate rack**  
8100 201



**White bowl**  
8153 100

## RECOMMENDED PAIRINGS



**Cooker hob KE Induction**  
7386 646



**Mixer Tap Omega Plus Copper**  
8498 858

## OPTIONAL AUTOMATIC WASTE FITTINGS



**Space Push Copper automatic  
waste fitting**  
8407 122