

## Sink Tornado

Kitchen Sinks

Code: 1579 670



### DETAILS

Edge/Installation Type Standard (8 mm Edge)

---

Finish Foster brushed

---

Material AISI 304 stainless steel

---

Texture Foster brushed

---

Base 80 cm

---

Dimensions 790 x 500 mm

---

Standard fittings Fixing hooks, gasket, drain, overflow and siphon, boxed packing

---

Mixer holes 1 standard hole - 2nd hole on request

---

Built-in hole 770x480 mm

---

Drainer No

---

Width 79 cm

---

Bowl dimension 730 x 440 mm

---

Number of bowls 1 bowl

---

Waste fitting 7" drain

---

## FEATURES

**2nd / 3rd hole available** The sink can be customized with the execution on request of additional holes, usable for double-hole mixers, for remote controlled drains or for the installation of soap dispensers. The positions are marked on the drawings with dotted line holes.

---

**7" xxl waste fitting** The 7" exhaust has dimensions that are much higher than the standard. The drain includes a large and deep basket for the collection of food waste.

---

**Deep bowls** This bowls reach an important depth, over 20 cm, thanks to the advanced production technology, that can be offer great capiciency and practicity in all the washing operations.

---

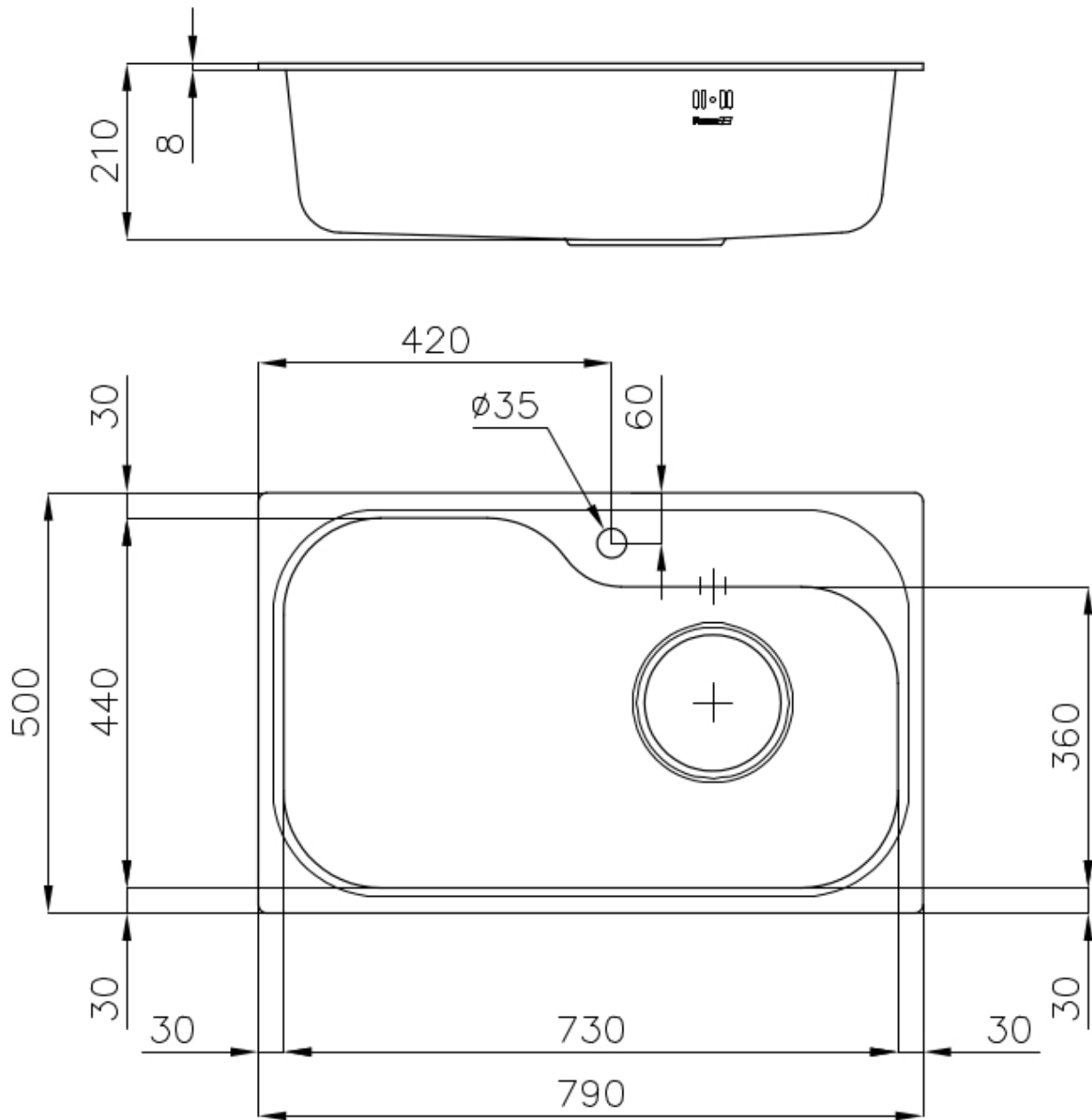
**High thickness** 1mm thick steel. A significant thickness, which guarantees the maximum sturdiness and durability.

---

**Sliding brackets**

---

## TECHNICAL DATA



## OPTIONAL ACCESSORIES



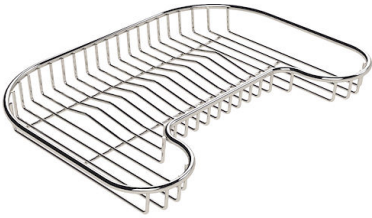
**Iroko-wood chopping board**  
8659 111



**Iroko-wood chopping board**  
8659 112



**Iroko-wood twin chopping board**  
8644 003



**Stainless steel plate rack**  
8100 111



**Stainless steel plate rack only  
usable in combination with the  
accessories 8644 003**

8100 154

\* only in combination with the accessory  
8644 003



**Vaschetta bianca**  
8152 100



**White colander**  
8151 100

## RECOMMENDED PAIRINGS



**Mixer Tap Gamma**  
8483 001



**Mixer Tap Lorenzo**  
8466 000