

## Sink Tornado

Kitchen Sinks

Code: 1579 670



### DETAILS

Edge/Installation Type Standard (8 mm Edge)

---

Finish Foster brushed

---

Material AISI 304 stainless steel

---

Texture Foster brushed

---

Base 80 cm

---

Dimensions 790x500 mm

---

Standard fittings Fixing hooks, gasket, drain, overflow and siphon, boxed packing

---

Mixer holes 1 standard hole - 2nd hole on request

---

Built-in hole 770x480 mm

---

Drainer No

---

Width 79 cm

---

Bowl dimension 730x440mm

---

Number of bowls 1 bowl

---

Waste fitting 7" drain

---

## FEATURES

**2nd / 3rd hole available** The sink can be customized with the execution on request of additional holes, usable for double-hole mixers, for remote controlled drains or for the installation of soap dispensers. The positions are marked on the drawings with dotted line holes.

---

**7" xxl waste fitting** The 7" exhaust has dimensions that are much higher than the standard. The drain includes a large and deep basket for the collection of food waste.

---

**Deep bowls** This bowls reach an important depth, over 20 cm, thanks to the advanced production technology, that can be offer great capiciency and practicity in all the washing operations.

---

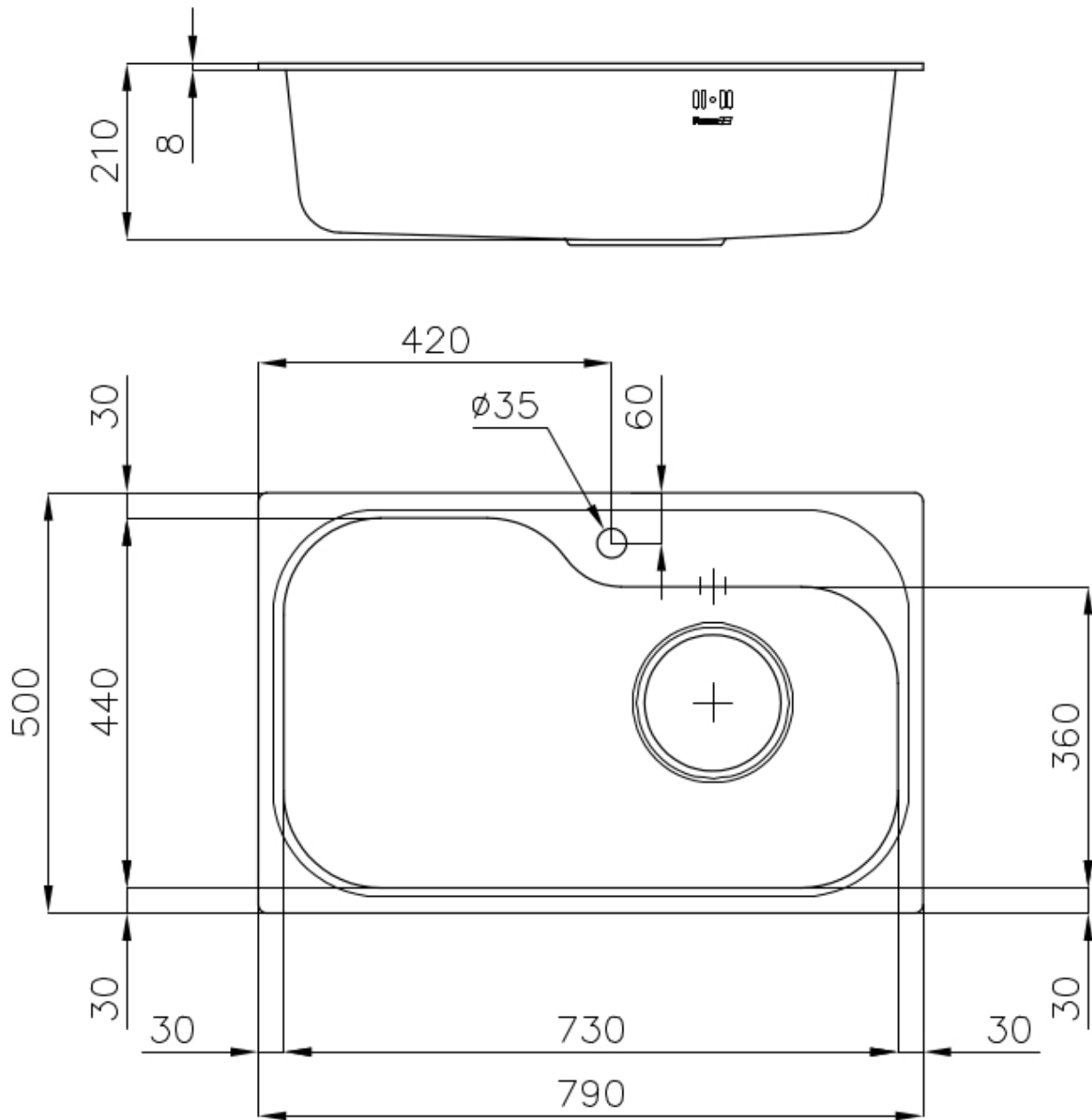
**High thickness** 1mm thick steel. A significant thickness, which guarantees the maximum sturdiness and durability.

---

**Sliding brackets**

---

## TECHNICAL DATA



## GALLERY



## EQUIPMENT

## OPTIONAL ACCESSORIES



Iroko-wood chopping board



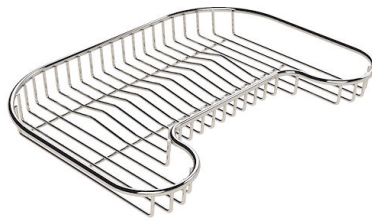
Iroko-wood chopping board



Iroko-wood twin chopping board



Stainless steel colander



Stainless steel plate rack



Stainless steel plate rack



Vaschetta bianca



White colander

## RECOMMENDED PAIRINGS



Mixer Tap Gamma



Mixer Tap Lorenzo