

## Sink Big Bowl

Bowl on the right

Kitchen Sinks

Code: 1561 201



### DETAILS

Edge/Installation Type      Standard (8 mm Edge)

---

Finish      Foster brushed

---

Material      AISI 304 stainless steel

---

Texture      Foster brushed

---

Base      60 cm

---

Dimensions      860 x 500 mm

---

Standard fittings      Fixing hooks, gasket, drain, overflow and siphon, boxed packing

---

Mixer holes      1 standard hole - 2nd hole on request

---

Built-in hole      840 x 480 mm

---

Drainer Yes

---

Width 86 cm

---

Bowl dimension 450x400mm

---

Number of bowls 1 bowl

---

Waste fitting 3,5" drain

---

## FEATURES

**Added value** Foster uses steel thicknesses higher than those used on average by other manufacturers. This is how, thanks to our long experience, we know how to make sinks of superior quality and with a better resistance to aging.

---

**ADDITIONAL HOLES AVAILABLE** The sink can be customized with the execution on request of additional holes, usable for double-hole mixers, for remote controlled drains or for the installation of soap dispensers. The positions are marked on the drawings with dotted line holes.

---

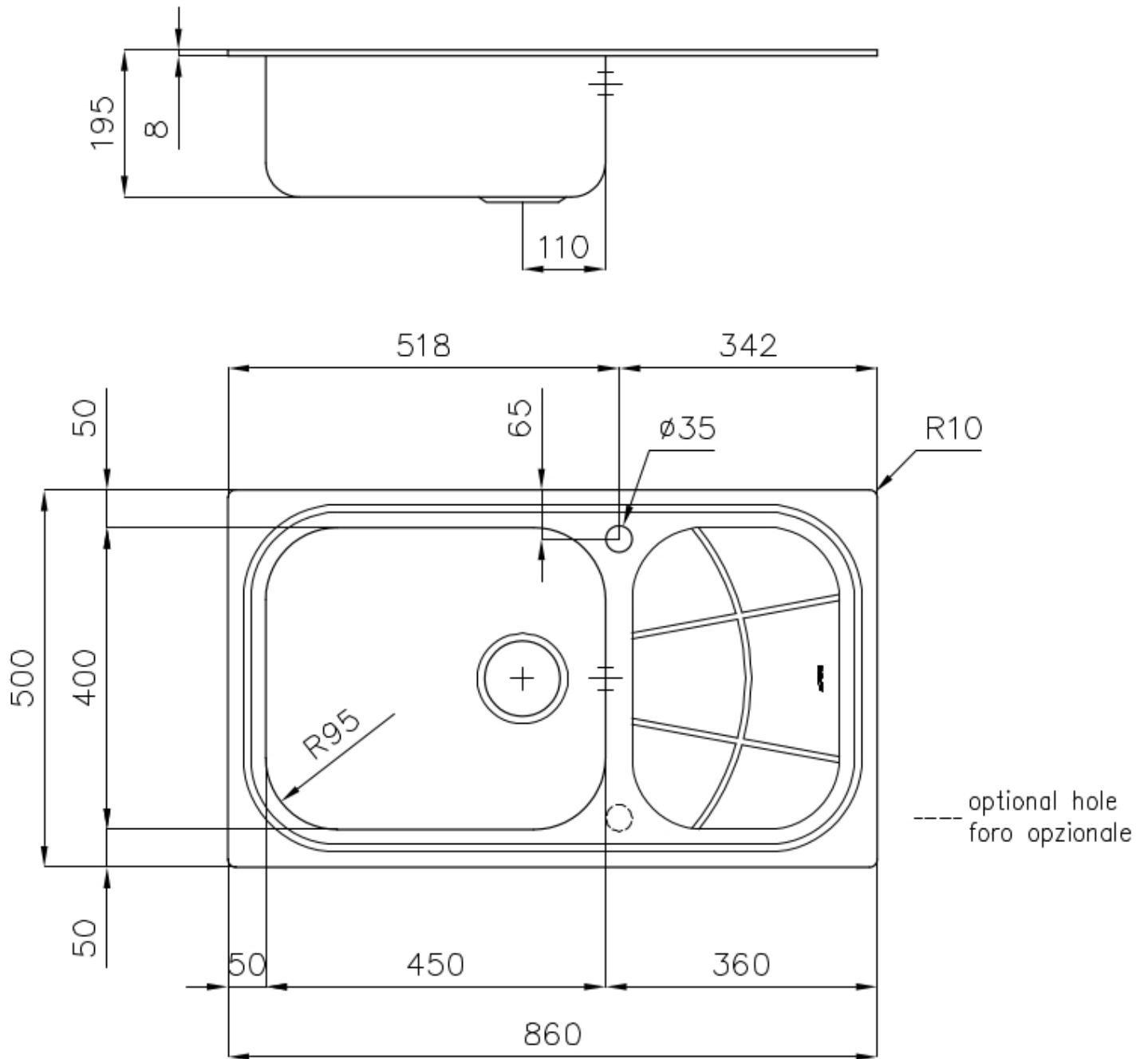
**Basket 3,5" waste fitting** The drain is equipped with a large 3.5" drain, with the practical basket cap that prevents the discharge of solid parts.

---

**Sliding brackets**

---

## TECHNICAL DATA



## OPTIONAL ACCESSORIES



**Glass chopping board**  
8631 300



**HDPE Chopping board**  
8657 001



**Glass chopping board**  
8633 300

## RECOMMENDED PAIRINGS



**Mixer Tap Delta**  
8441 000

## OPTIONAL AUTOMATIC WASTE FITTINGS



**Automatic waste fitting**  
8407 100



**Automatic waste fitting**  
8407 000



**LIRA automatic waste fitting**  
8407 102



**LIRA automatic waste fitting**  
8407 103