

Sink Uragano

Kitchen Sinks

Code: 1555 070



DETAILS

Edge/Installation Type Standard (8 mm Edge)

Finish Foster brushed

Material AISI 304 stainless steel

Texture Foster brushed

Base 100 cm

Dimensions 970x500 mm

Standard fittings Fixing hooks, gasket, drain, overflow and siphon, boxed packing

Mixer holes 1 standard hole

Built-in hole 950x480 mm

Drainer No

Width 97 cm

Bowl dimension 910x440mm

Number of bowls 1 bowl

Waste fitting 7" drain

FEATURES

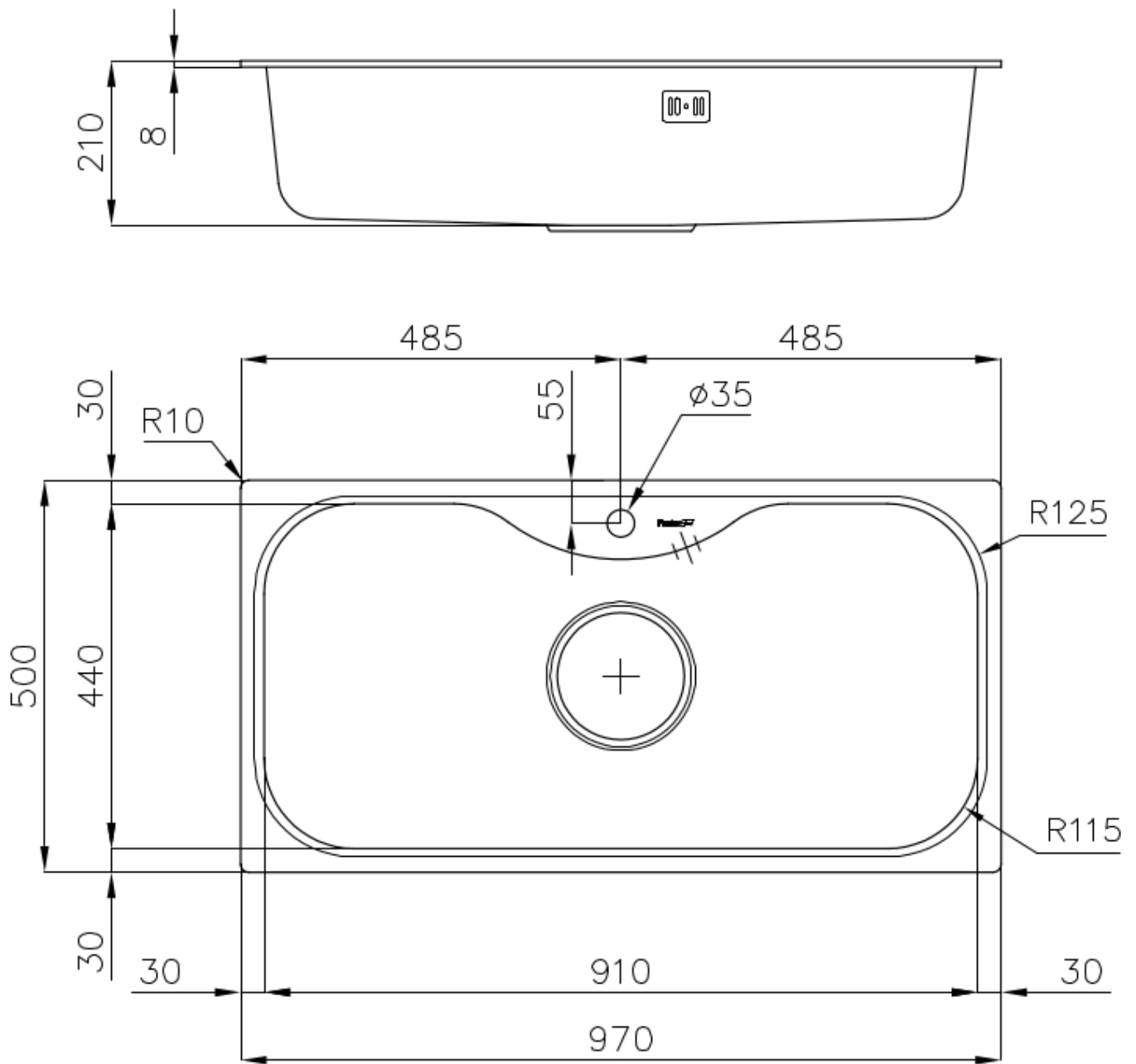
7" xxl waste fitting The 7" exhaust has dimensions that are much higher than the standard. The drain includes a large and deep basket for the collection of food waste.

Deep bowls This bowls reach an important depth, over 20 cm, thanks to the advanced production technology, that can be offer great capieny and practicity in all the washing operations.

High thickness 1mm thick steel. A significant thickness, which guarantees the maximum sturdiness and durability.

Sliding brackets

TECHNICAL DATA



GALLERY



EQUIPMENT

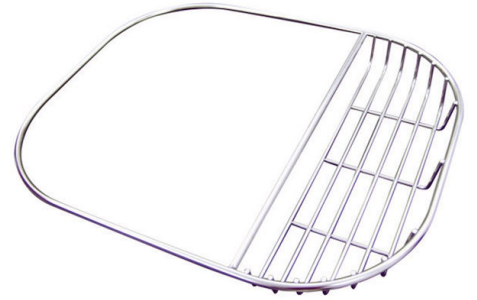
OPTIONAL ACCESSORIES



Iroko-wood chopping board



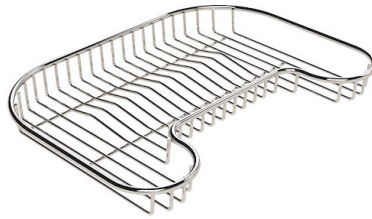
Iroko-wood twin chopping board



Stainless steel bowl-holder ring



Stainless steel colander



Stainless steel plate rack



Stainless steel plate rack



Vaschetta bianca



White colander

WARNING:

The accessories 8100154, 8154000 are only usable in combination with 8644003

The accessory 8152100 is only usable in combination with 8100112

RECOMMENDED PAIRINGS



Mixer Tap KS Plus



Mixer Tap Magnum