

## Sink Triplo Invaso 1490 060

Sinks

Code: 1490 060



### DETAILS

Base 90 cm

---

Edge/Installation Type Q4 (4 mm Edge)

---

Dimensions 860x520 mm

---

Standard fittings Fixing hooks, gasket, drain, overflow and siphon, boxed packing

---

Mixer holes 2 standard holes

---

Built-in hole 840x500 mm

---

Drainer No

---

Width 86 cm

---

Material/Finish Foster-brushed finish AISI 304 stainless steel

---

Bowl dimension 710x400mm

---

Number of bowls 1 bowl

---

Waste fitting Drain with automatic control SPACE

---

## FEATURES

**52 cm deep** The sink has larger dimensions: all the necessary space for a great practicality of use. The size matches perfectly with that of the S4000 cooktops.

---

**Automatic waste fitting** The waste-fitting with round remote knob is supplied; a practical accessory which makes it unnecessary to get wet in order to drain the water from the bowl.

---

**Deep bowls** This bowls reach an important depth, over 20 cm, thanks to the advanced production technology, that can be offer great capieny and practicity in all the washing operations.

---

**Double mixer hole** The large tap counter is already fitted with a series of 2 tap holes. In the second hole it is possible to install the remote control of the automatic drain or, alternatively, a practical soap dispenser.

---

**High thickness** 1mm thick steel. A significant thickness, which guarantees the maximum sturdiness and durability.

---

**Perimetral overflow** The overflow is always a security on the Foster sinks that prevents the overflow of water in case of oversights. The perimeter drain solution improves aesthetics thanks to its square and essential shape.

---

**Small radius** Bowls with squared shapes with a modern design and an increased capacity, for a minimal aesthetics connected with an extreme practicity.

---

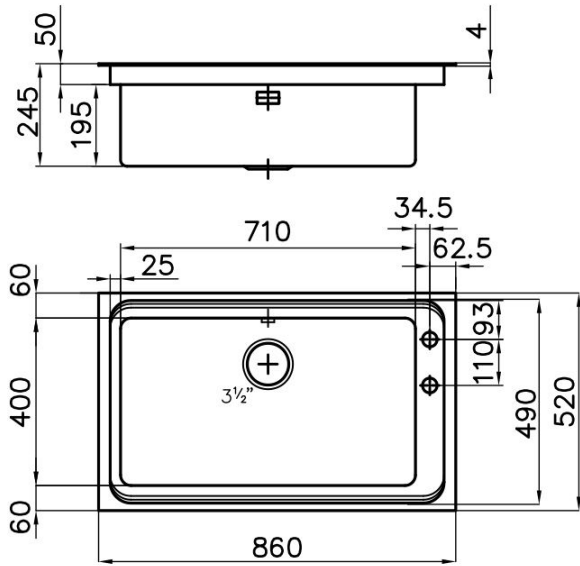
**Space waste fitting** The elegant SPACE steel cap closes the drain and leaves no visible residues collected in the basket below. Space also has a small footprint and allows the optimal use of the under-sink compartment.

---

three-step system

Professional in all: in size and practicality. The "triple overflow" is a concept that allows the use of sliding accessories in a modular and versatile way.

## TECHNICAL DATA



## GALLERY



## OPTIONAL ACCESSORIES



Cestello inox 8612 000



Glass chopping board 8631 300



HPDE Chopping board 8657 001



Iroko-wood chopping board 8643 115



Iroko-wood sliding chopping board 8643 116



Stainless steel plate rack 8100 115



White bowl 8153 100