

## Sink GK

Kitchen Sinks

Code: 1403 800



### DETAILS

|                        |   |
|------------------------|---|
| Edge/Installation Type | Undermount  |
| Finish                 | Foster brushed  |
| Material               | AISI 304 stainless steel  |
| Texture                | Brushed in line   |
| Base                   | 60 cm   |
| Dimensions             | 580x470 mm  |
| Standard fittings      | Fixing hooks, gasket, drain, overflow and siphon, boxed packing |
| Mixer holes            | No standard holes   |
| Built-in hole          | View technical data sheet                                       |

|                 |                  |
|-----------------|------------------|
| Drainer         | No               |
| Width           | 58 cm            |
| Bowl dimension  | 450x400mm        |
| Number of bowls | 1 bowl           |
| Waste fitting   | Drain SPACE 3,5" |

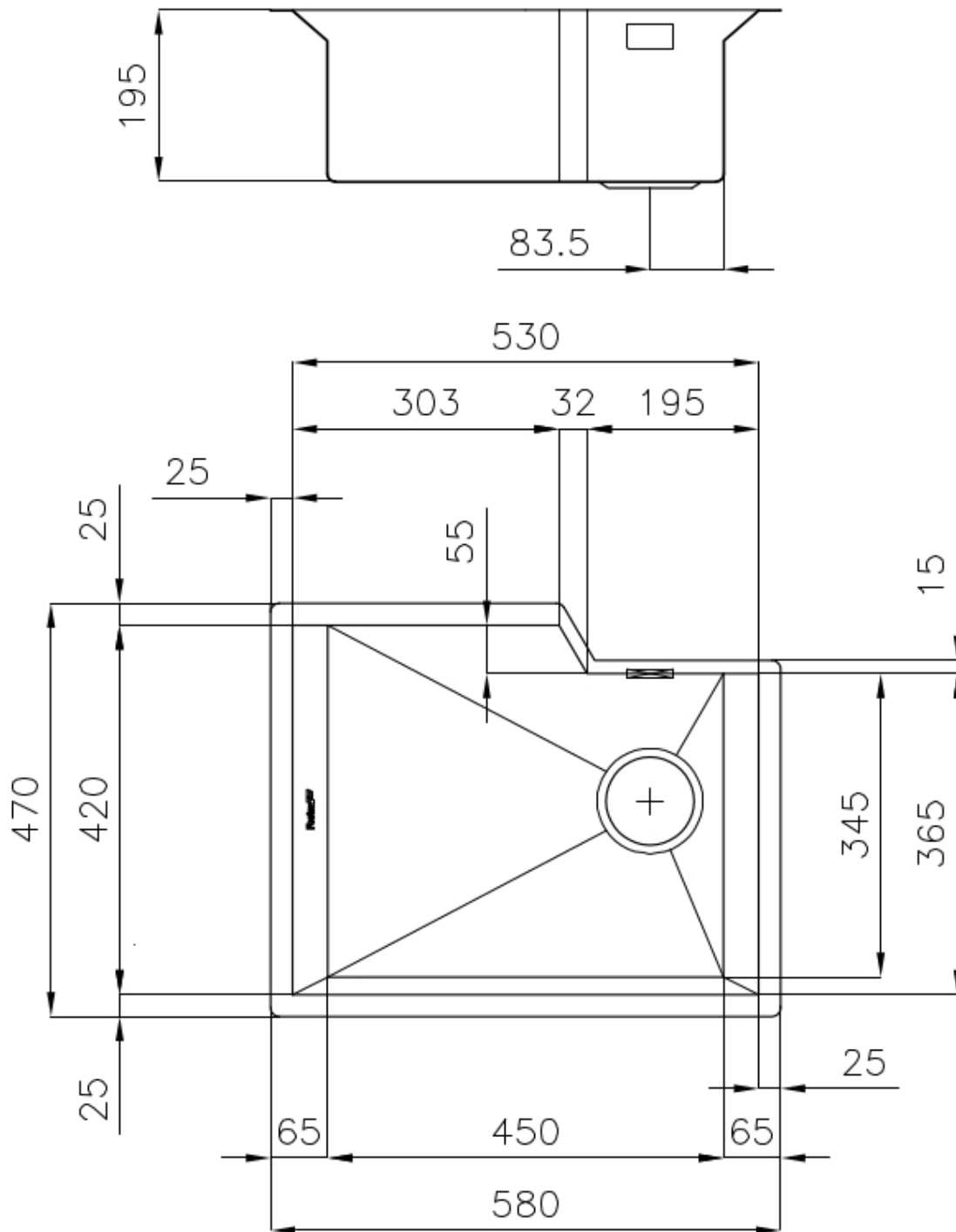
## FEATURES

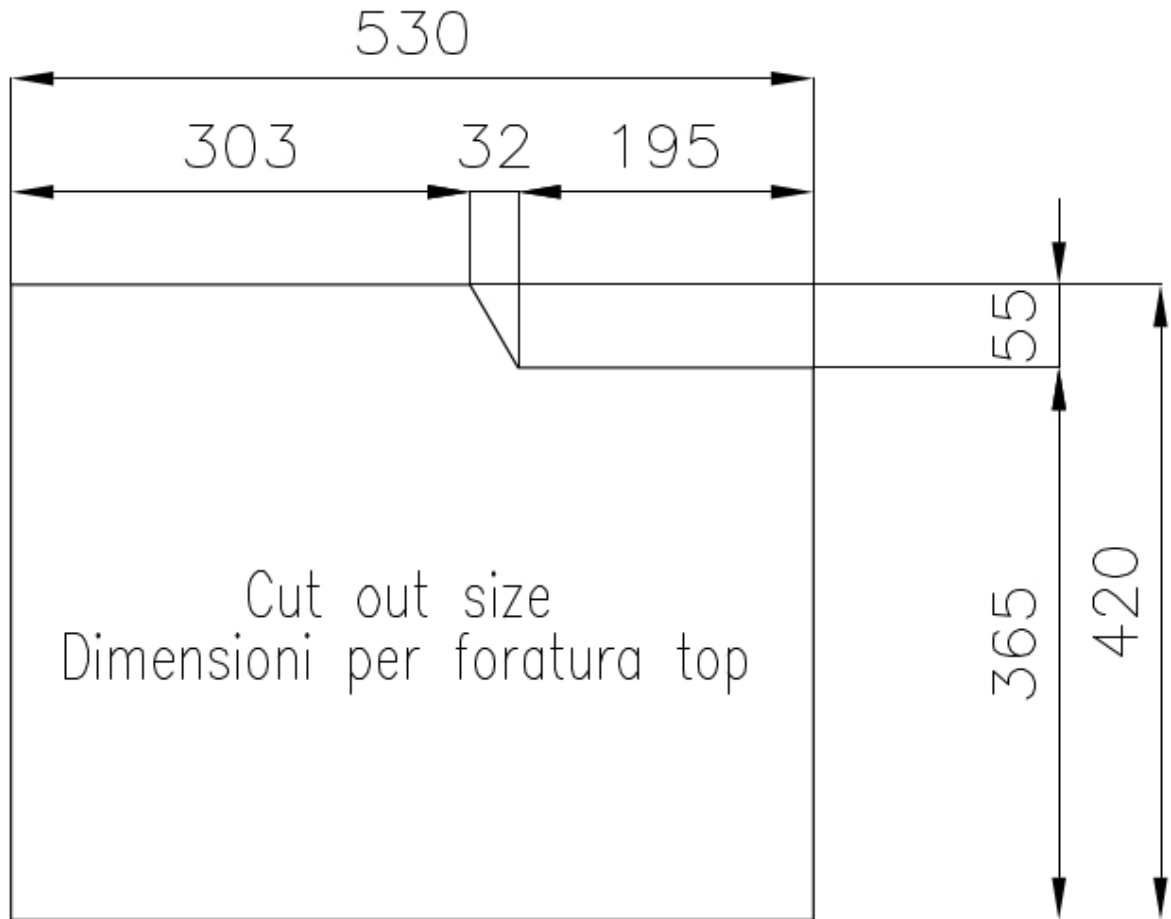
|                      |  |
|----------------------|--|
| Diamond-shape bottom | The draining of water is an important feature in a sink, and it's always taken good care of in Foster products. In the bent-welded sinks, which would have a flat bottom, the proper draining is guaranteed by the elegant beveling, which helps the water flow. |
| Double mixer hole    | The large tap counter is already fitted with a series of 2 tap holes. In the second hole it is possible to install the remote control of the automatic drain or, alternatively, a practical soap dispenser.  |
| High thickness       | 1mm thick steel. A significant thickness, which guarantees the maximum sturdiness and durability.  |
| Inclined recess      | A deep and inclined recess houses the burners and grigs, allowing to create a single work surface. The inclination also makes it extremely easy to clean the edges.  |
| Perimetral overflow  | The overflow is always a security on the Foster sinks that prevents the overflow of water in case of oversights. The perimeter drain solution improves aesthetics thanks to its square and essential shape.  |
| Save space system    | Drain and siphon are designed to leave as much space as possible in the under-sink area, more and more useful today for theseparate waste collection systems.  |
| Space waste fitting  | The elegant SPACE steel cap closes the drain and leaves no visible residues collected in the basket below. Space also has a small footprint and allows the optimal use of the under-sink compartment.  |

Squared bowls - 0/9 radius

The square bowls of Foster have perfectly squared vertical edges, while those on the bottom have a small radius of 9 mm that facilitates cleaning operations.

## TECHNICAL DATA





## GALLERY



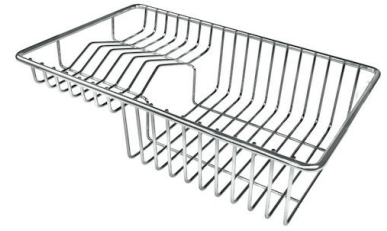
## OPTIONAL ACCESSORIES



HPDE twin chopping board



Iroko-wood sliding chopping board



Stainless steel plate rack



Graters kit with ring-holder and food collection tray



Stainless steel perforated tray

## RECOMMENDED PAIRINGS



Mixer Tap GK

## OPTIONAL AUTOMATIC WASTE FITTINGS



Automatic waste fitting



Space automatic waste fitting



Space automatic waste fitting



Space Light automatic waste fitting



Space Milano automatic waste fitting



Space Push automatic waste fitting