

## Sink S3000 1372 060

Kitchen Sinks

Code: 1372 060



### DETAILS

Material AISI 304 stainless steel

---

Texture Foster brushed

---

Base 80 cm

---

Edge/Installation Type Standard (8 mm Edge)

---

Dimensions 790x500 mm

---

Standard fittings Fixing hooks, gasket, drain, overflow and siphon, boxed packing

---

Mixer holes 1 standard hole

---

Built-in hole 770x480 mm

---

Drainer No

---

Width 79 cm

---

Bowl dimension 340x400mm

---

Number of bowls 2 bowls

---

Waste fitting 3,5" drain

---

## FEATURES

Sliding brackets

---

Basket 3,5" waste fitting

The drain is equipped with a large 3.5" drain, with the practical basket cap that prevents the discharge of solid parts.

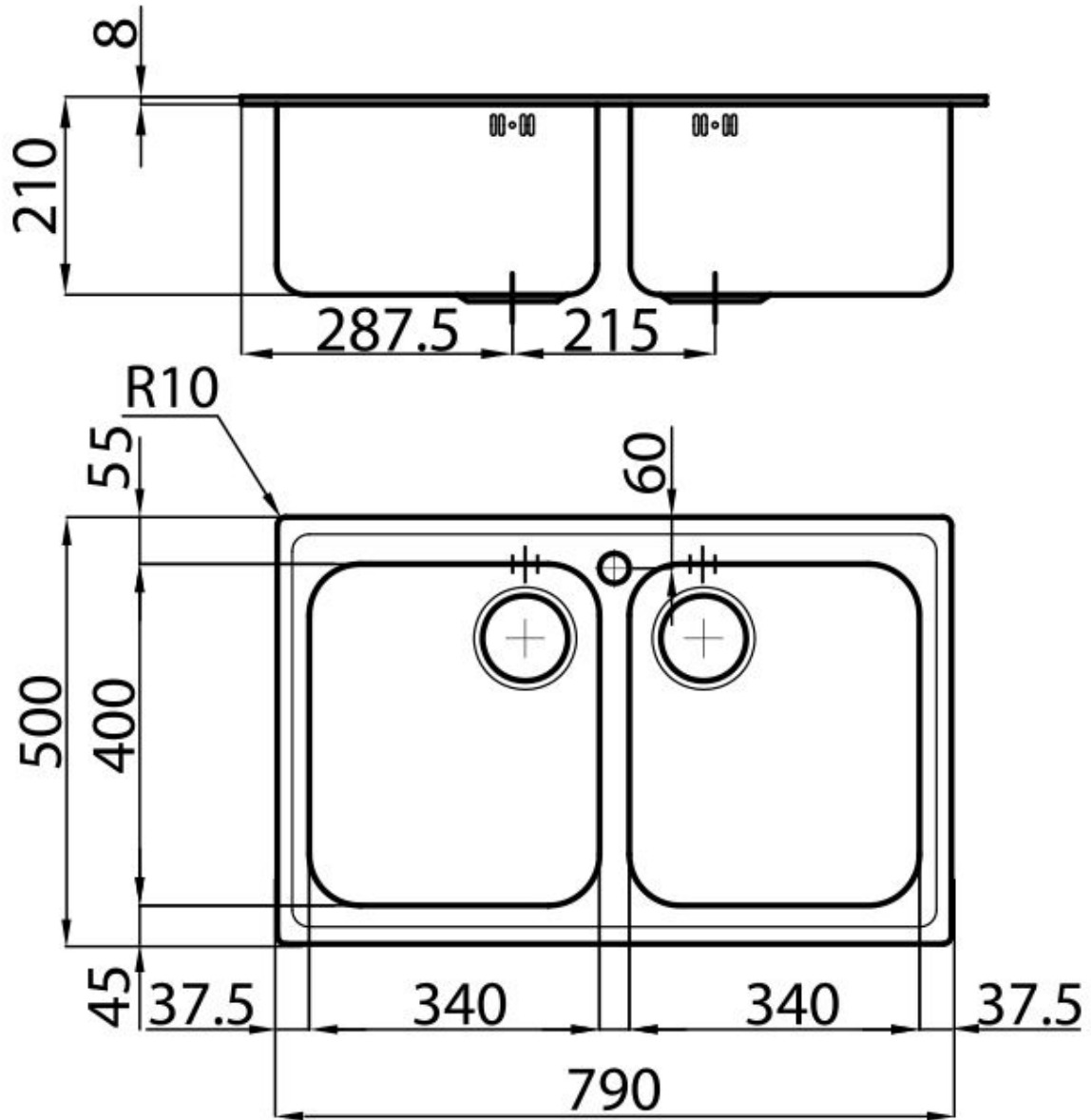
---

Deep bowls

This bowls reach an important depth, over 20 cm, thanks to the advanced production technology, that can be offer great capieny and practicity in all the washing operations.

---

## TECHNICAL DATA



## GALLERY



## OPTIONAL ACCESSORIES



Glass chopping board 8631 300



Glass chopping board 8633 300



HPDE Chopping board 8657 001



HPDE Twin chopping board 8644 101



Iroko-wood chopping board 8647 000



Iroko-wood chopping board with stainless steel colander 8644 042



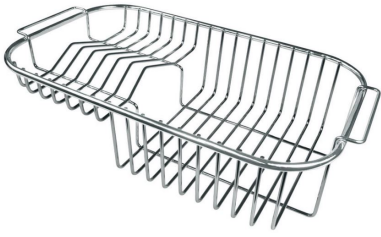
Iroko-wood sliding chopping board 8643 000



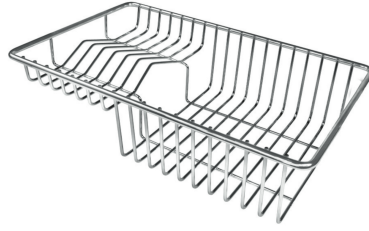
Iroko-wood sliding chopping board 8644 041



Stainless steel basket 8611 000



Stainless steel plate rack 8100 301



Stainless steel plate rack 8100 303



White bowl 8153 100

**WARNING:**

**The accessories 8159101, 8100303,8151000 are only usable in combination with 8644101**