

## Sink F300

Kitchen Sinks

Code: 1352 060



### DETAILS

Edge/Installation Type      Standard (8 mm Edge)

---

Material      AISI 304 stainless steel

---

Texture      Foster brushed

---

Base      90 cm

---

Dimensions      860x500 mm

---

Standard fittings      Fixing hooks, gasket, drain, overflow and siphon, boxed packing

---

Mixer holes      1 standard hole

---

Built-in hole      840x480 mm

---

Drainer      No

---

Width 86 cm

---

Bowl dimension 362,5x400mm

---

Number of bowls 2 bowls

---

Waste fitting 3,5" drain

---

## FEATURES

**Added value** Foster uses steel thicknesses higher than those used on average by other manufacturers. This is how, thanks to our long experience, we know how to make sinks of superior quality and with a better resistance to aging.

---

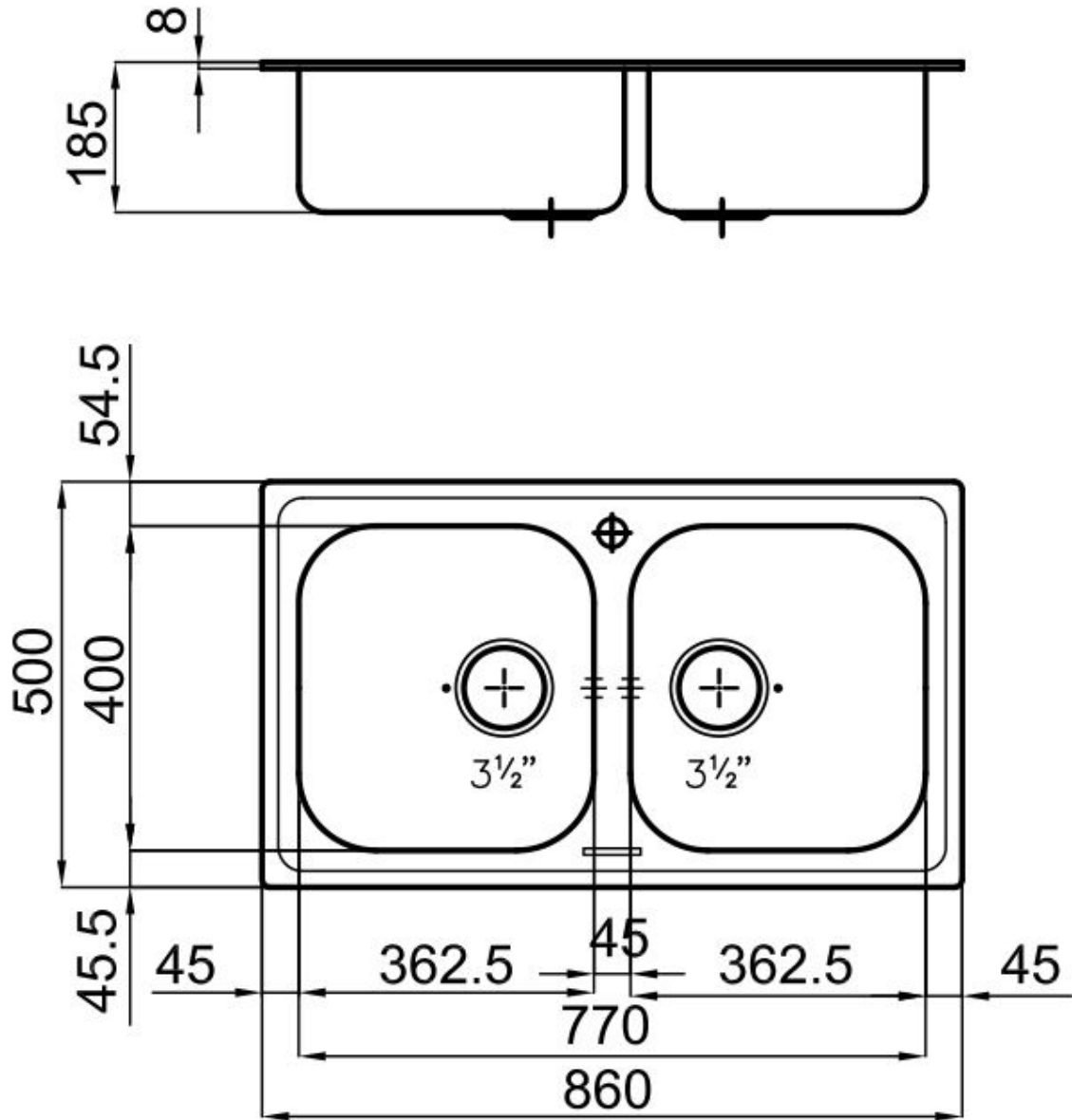
**Basket 3,5" waste fitting** The drain is equipped with a large 3.5" drain, with the practical basket cap that prevents the discharge of solid parts.

---

**Sliding brackets**

---

## TECHNICAL DATA



## GALLERY



## OPTIONAL ACCESSORIES



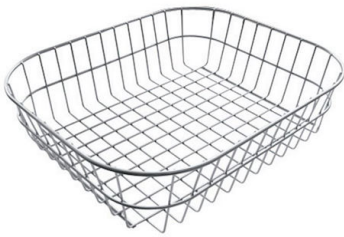
Glass chopping board



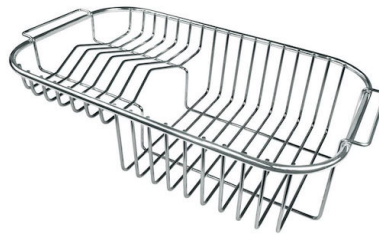
HPDE Chopping board



Iroko-wood sliding chopping board



Stainless steel basket



Stainless steel plate rack



White bowl