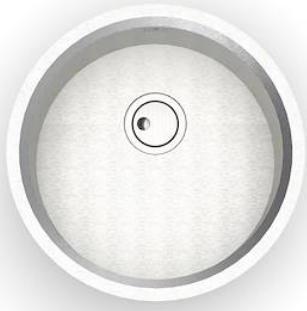


Sink Giotto Vintage

Kitchen Sinks

Code: 1333 080



DETAILS

Edge/Installation Type	Flush-mount Top-mount
Material	AISI 304 stainless steel
Texture	Vintage
Base	60 cm
Dimensions	Ø 520 mm
Standard fittings	Fixing hooks, gasket, drain, overflow and siphon, boxed packing
Mixer holes	No standard holes
Built-in hole	View technical data sheet
Drainer	No

Width 52 cm

Bowl dimension Ø 445mm

Number of bowls 1 bowl

Waste fitting Drain SPACE 3,5"

FEATURES

Deep bowls This bowls reach an important depth, over 20 cm, thanks to the advanced production technology, that can be offer great capincy and practicity in all the washing operations.

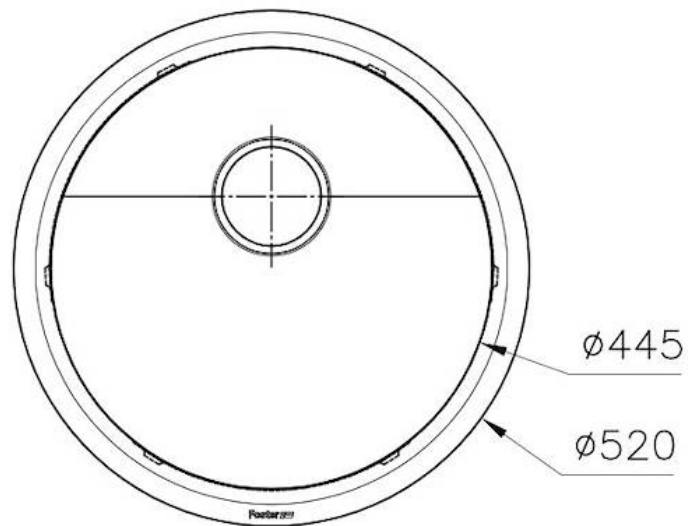
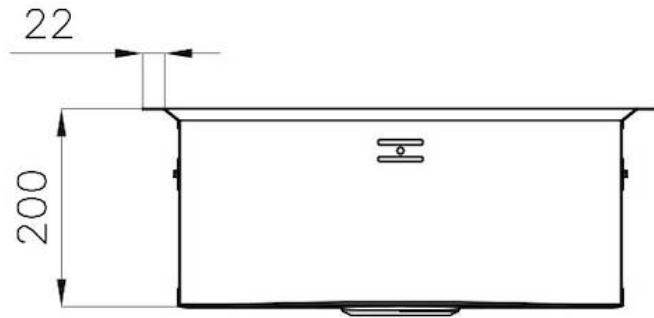
High thickness 1mm thick steel. A significant thickness, which guarantees the maximum sturdiness and durability.

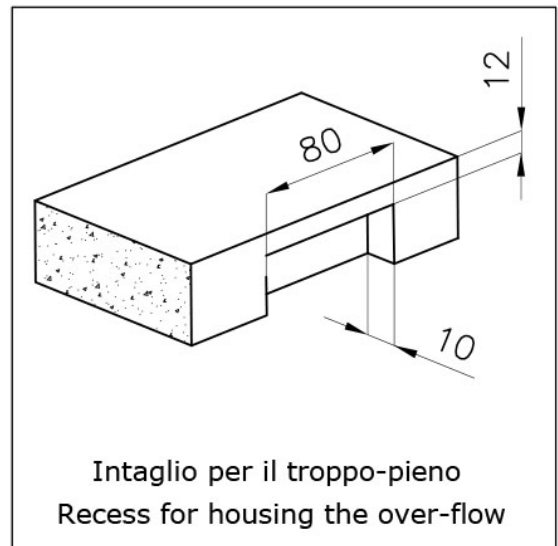
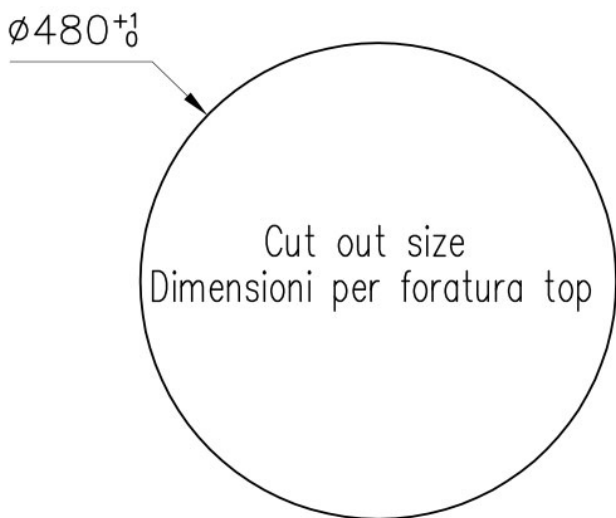
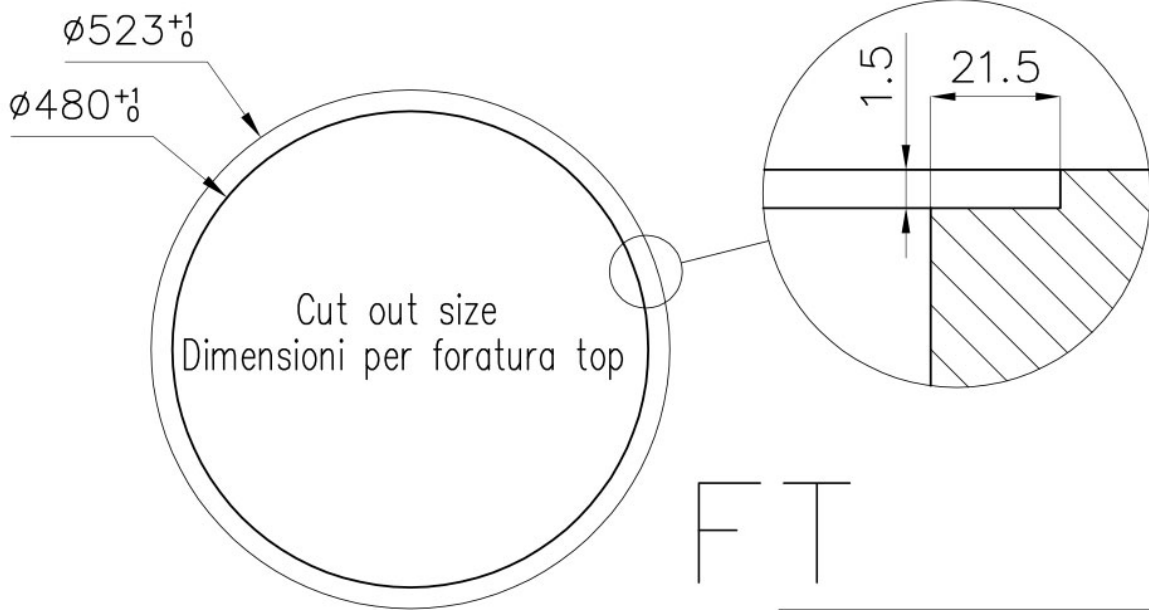
Save space system Drain and siphon are designed to leave as much space as possible in the under-sink area, more and more useful today for theseparate waste collection systems.

Space waste fitting The elegant SPACE steel cap closes the drain and leaves no visible residues collected in the basket below. Space also has a small footprint and allows the optimal use of the under-sink compartment.

VINTAGE The Vintage finish gives the product a long-lived and elegant look, creating a surface that does not fear scratches.

TECHNICAL DATA

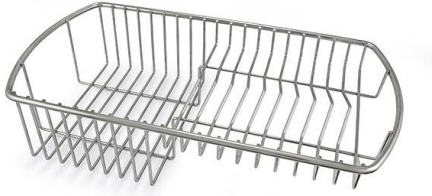




GALLERY



OPTIONAL ACCESSORIES



Stainless steel Plate rack
8100 051



Kit Giotto
8100 152



Iroko-wood round chopping board
8642 005