

## Sink Giotto

Kitchen Sinks

Code: 1333 000



### DETAILS

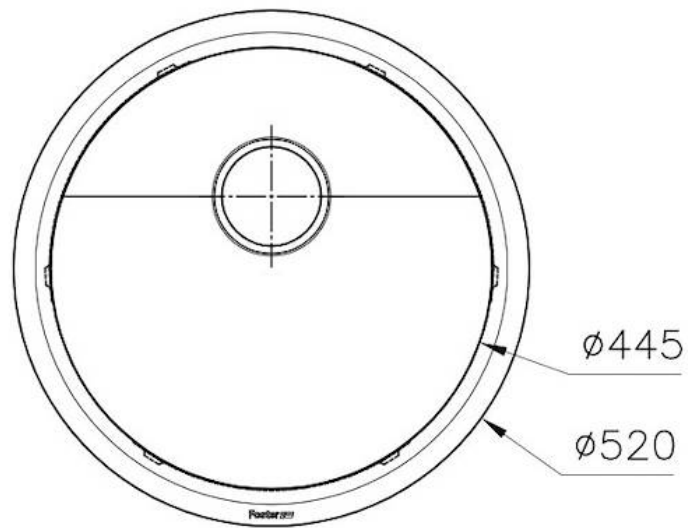
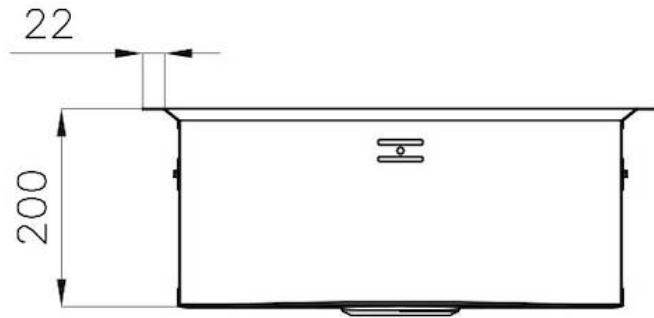
Edge/Installation Type	Flush-mount   Top-mount
Finish	Foster brushed
Material	AISI 304 stainless steel
Texture	Brushed in line
Base	60 cm
Dimensions	Ø 520 mm
Standard fittings	Fixing hooks, gasket, drain, overflow and siphon, boxed packing
Mixer holes	No standard holes
Built-in hole	View technical data sheet

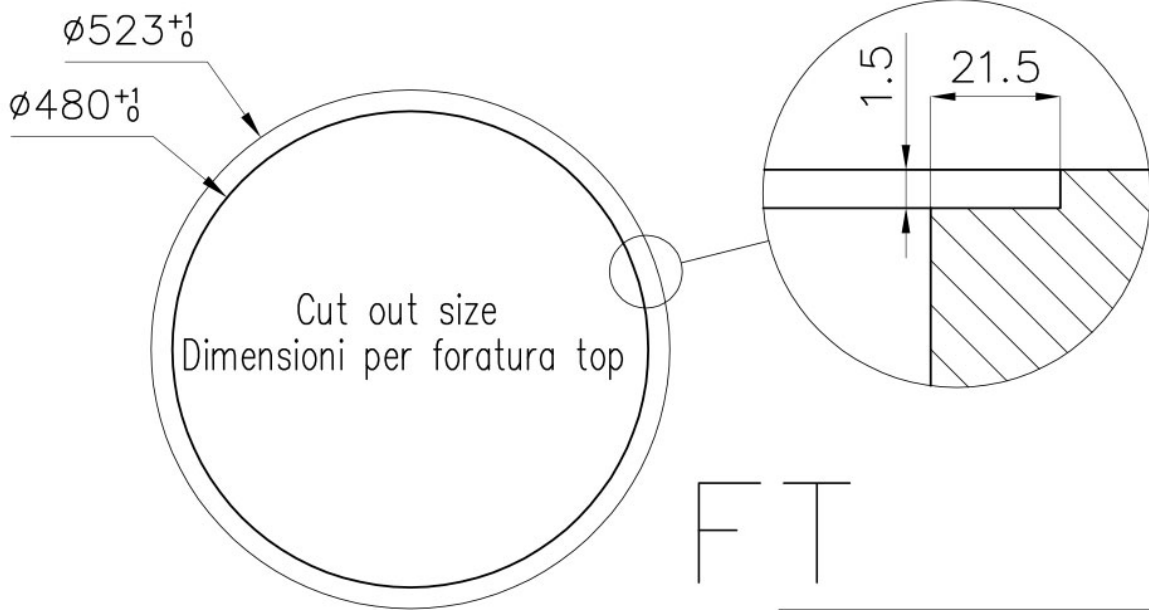
Drainer	No
Width	52 cm
Bowl dimension	Ø 445mm
Number of bowls	1 bowl
Waste fitting	Drain SPACE 3,5"

## FEATURES

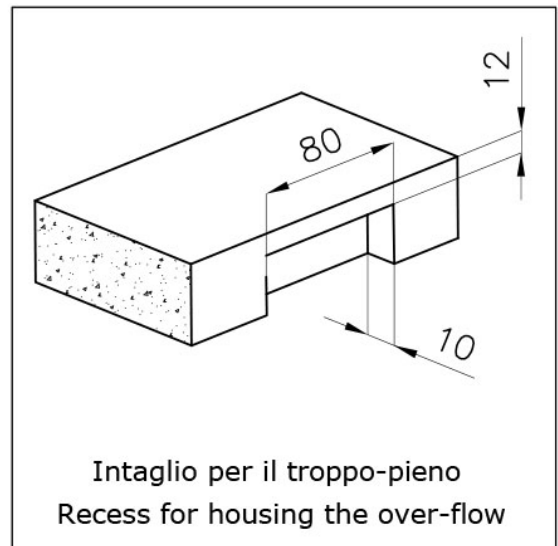
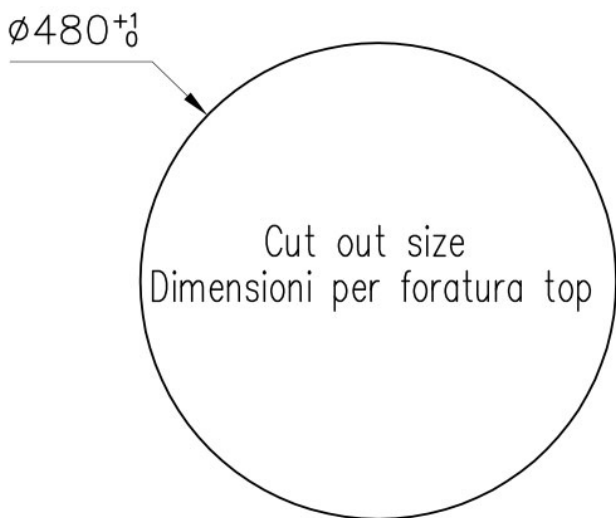
Deep bowls	This bowls reach an important depth, over 20 cm, thanks to the advanced production technology, that can be offer great capieny and practicity in all the washing operations.
High thickness	1mm thick steel. A significant thickness, which guarantees the maximum sturdiness and durability.
Save space system	Drain and siphon are designed to leave as much space as possible in the under-sink area, more and more useful today for theseparate waste collection systems.
Space waste fitting	The elegant SPACE steel cap closes the drain and leaves no visible residues collected in the basket below. Space also has a small footprint and allows the optimal use of the under-sink compartment.

## TECHNICAL DATA





FT

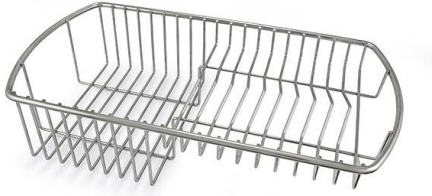


FTS

## GALLERY



## OPTIONAL ACCESSORIES



**Stainless steel Plate rack**  
8100 051



**Kit Giotto**  
8100 152



**Iroko-wood round chopping board**  
8642 005