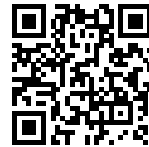


Sink KS

Kitchen Sinks

Code: 1303 860



DETAILS

Edge/Installation Type	Undermount
Material	AISI 304 stainless steel
Texture	Foster brushed
Base	80 cm
Dimensions	761x446 mm
Standard fittings	Fixing hooks, gasket, drain, overflow and siphon, boxed packing
Mixer holes	No standard holes
Built-in hole	View technical data sheet
Drainer	No

Width 76 cm

Bowl dimension 340x400mm

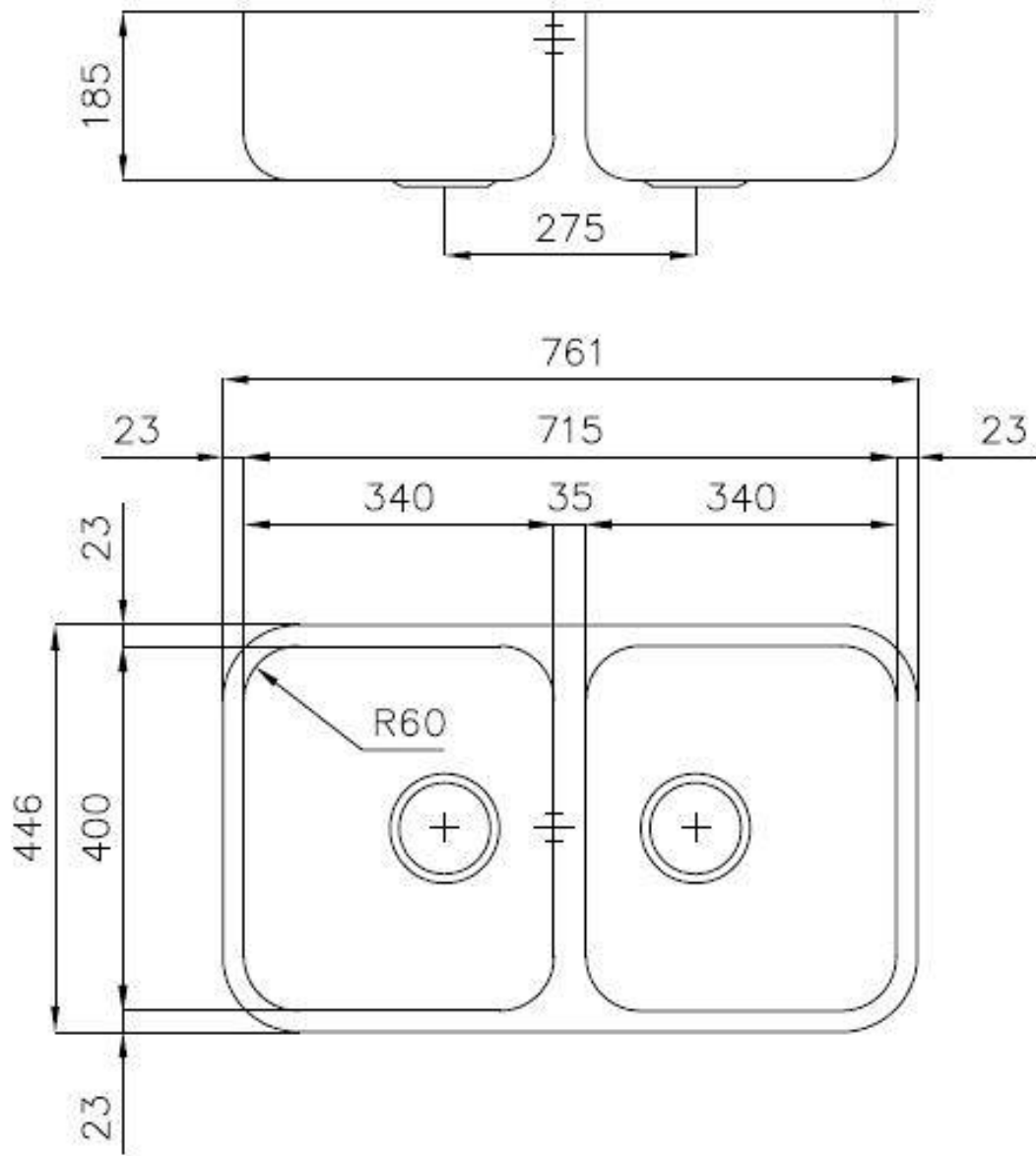
Number of bowls 2 bowls

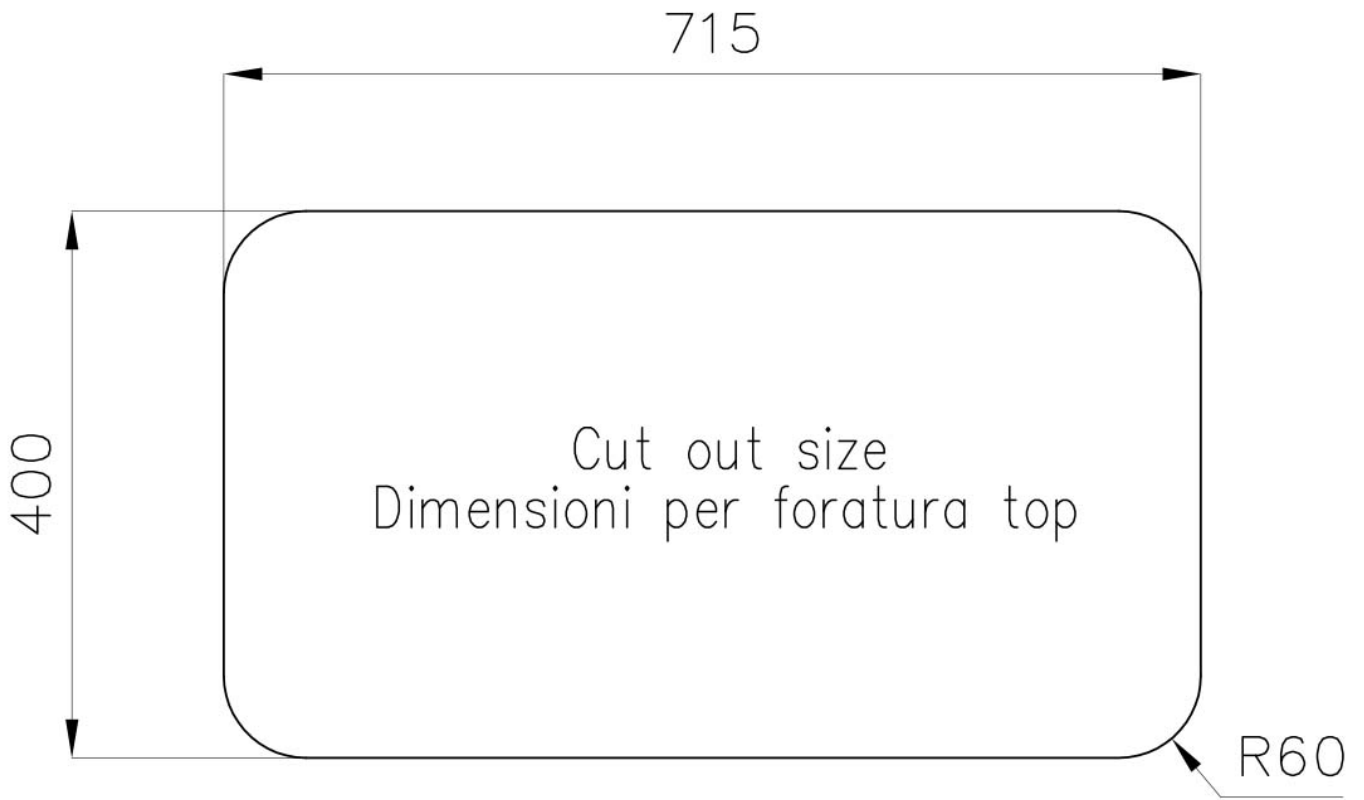
Waste fitting 3,5" drain

FEATURES

Basket 3,5" waste fitting The drain is equipped with a large 3.5" drain, with the practical basket cap that prevents the discharge of solid parts.

TECHNICAL DATA





OPTIONAL ACCESSORIES



Glass chopping board
8631 300



HDPE Chopping board
8657 001



White bowl
8153 100



**Iroko-wood sliding chopping board
with stainless steel colander**
8644 044

RECOMMENDED PAIRINGS



Mixer Tap Drop
8523 000



Mixer Tap Omega
8497 000

OPTIONAL AUTOMATIC WASTE FITTINGS



Automatic waste fitting
8407 100



Automatic waste fitting
8407 000



LIRA automatic waste fitting
8407 102



LIRA automatic waste fitting
8407 103