

Sink S3000

Kitchen Sinks

Code: 1302 860



DETAILS

Edge/Installation Type

Undermount

Material

AISI 304 stainless steel

Texture

Foster brushed

Base

80 cm

Dimensions

761x446 mm

Standard fittings

Fixing hooks, gasket, drain, overflow and siphon, boxed packing

Mixer holes

No standard holes

Built-in hole

View technical data sheet

Drainer

No

Width 76 cm

Bowl dimension 340x400mm

Number of bowls 2 bowls

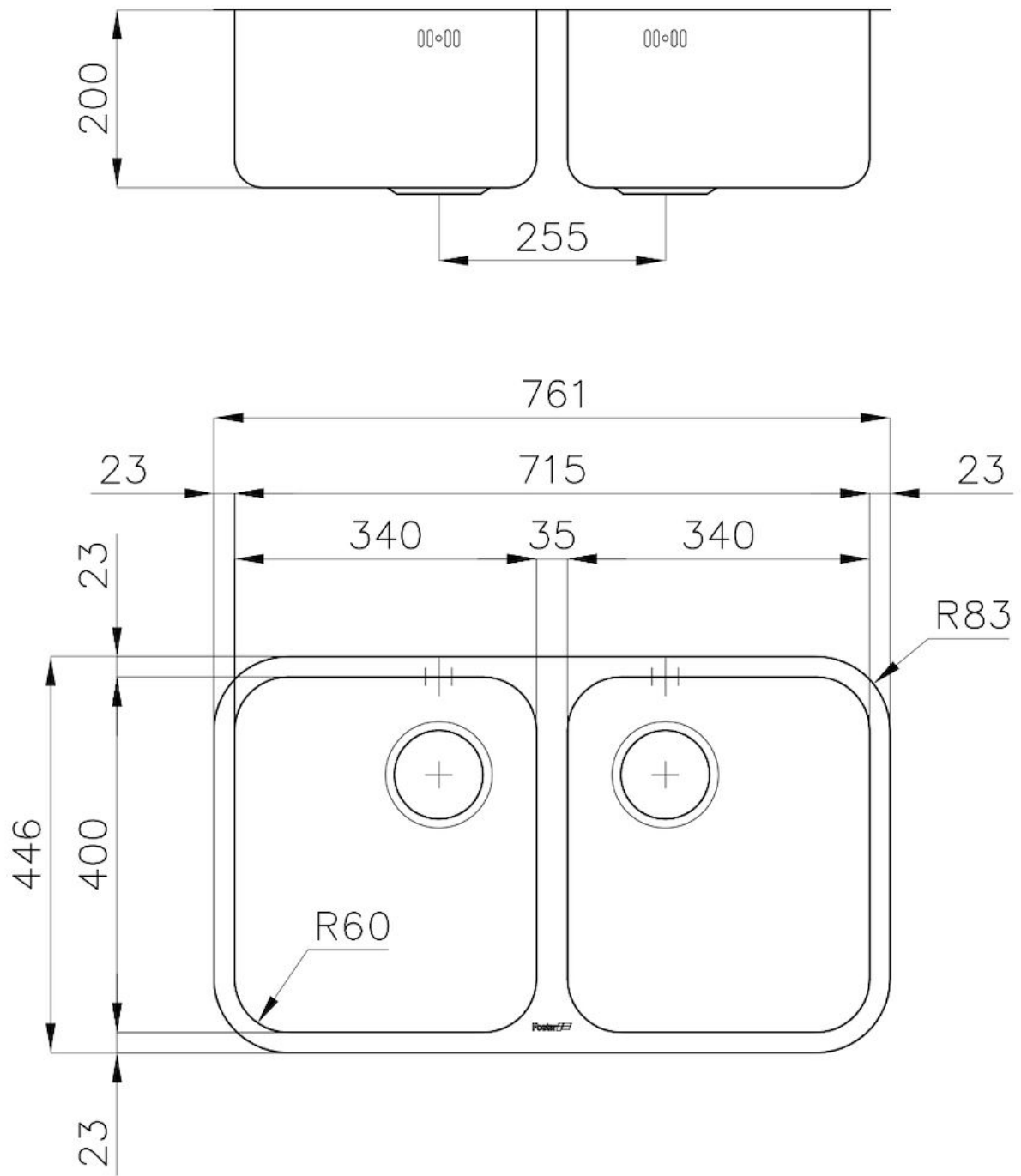
Waste fitting 3,5" drain

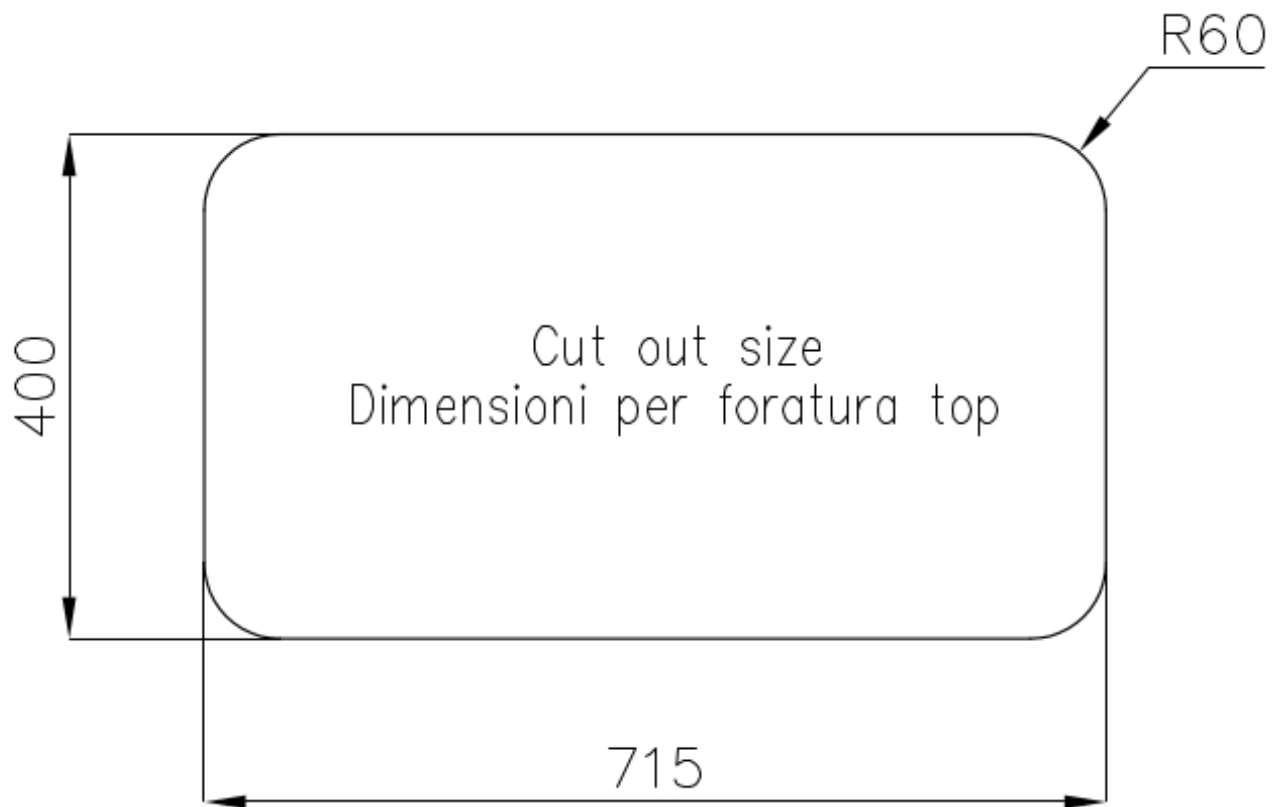
FEATURES

Basket 3,5" waste fitting The drain is equipped with a large 3.5" drain, with the practical basket cap that prevents the discharge of solid parts.

Deep bowls This bowls reach an important depth, over 20 cm, thanks to the advanced production technology, that can be offer great capieny and praticity in all the washing operations.

TECHNICAL DATA





GALLERY



OPTIONAL ACCESSORIES



Cestello inox



Glass chopping board



HPDE Chopping board



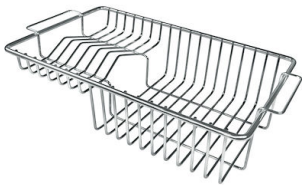
Iroko-wood chopping board



White basket



White bowl



Stainless steel plate rack

RECOMMENDED PAIRINGS



Mixer Tap Drop



Mixer Tap Omega

OPTIONAL AUTOMATIC WASTE FITTINGS



Automatic waste fitting



Automatic waste fitting



LIRA automatic waste fitting



LIRA automatic waste fitting