

Sink Master 1251 05x

Kitchen Sinks

Code: 1251 05x

Code: 1251 051 DX (Vasca a destra)

Code: 1251 052 SX (Vasca a sinistra)



DETAILS

Finish Foster brushed

Material AISI 304 stainless steel

Texture Foster brushed

Base 60 cm

Edge/Installation Type Flush-mount | Top-mount

Dimensions 1000x520 mm

Standard fittings Fixing hooks, gasket, drain, overflow and siphon, boxed packing

Mixer holes 2 standard holes

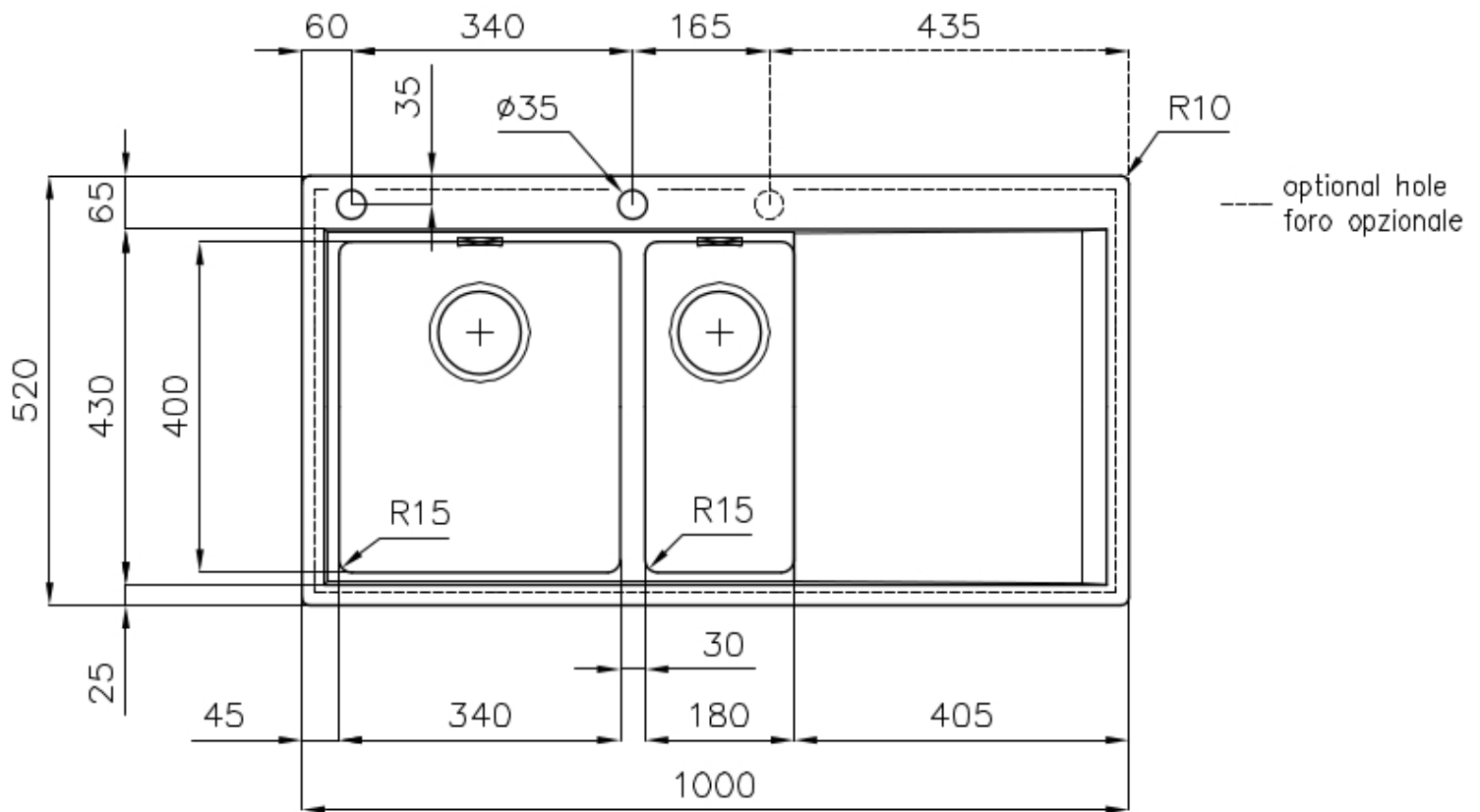
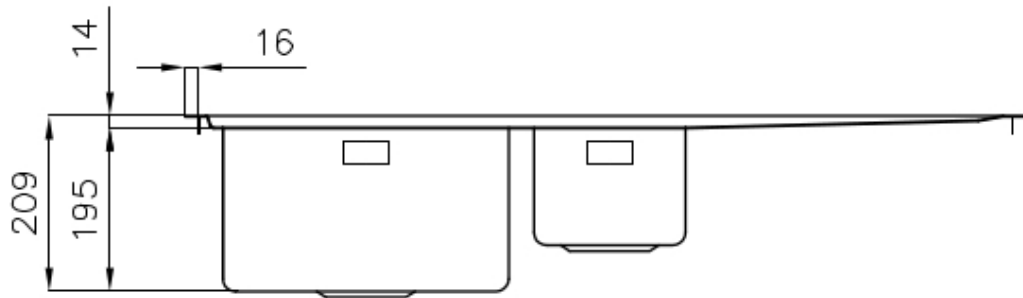
Built-in hole View technical data sheet (for all Flush-mount / Top-mount models and Under-mount models)

Drainer	Yes
Width	100 cm
Bowl dimension	340x400 + 180x400mm
Number of bowls	2 bowls
Waste fitting	Drain with automatic PM control

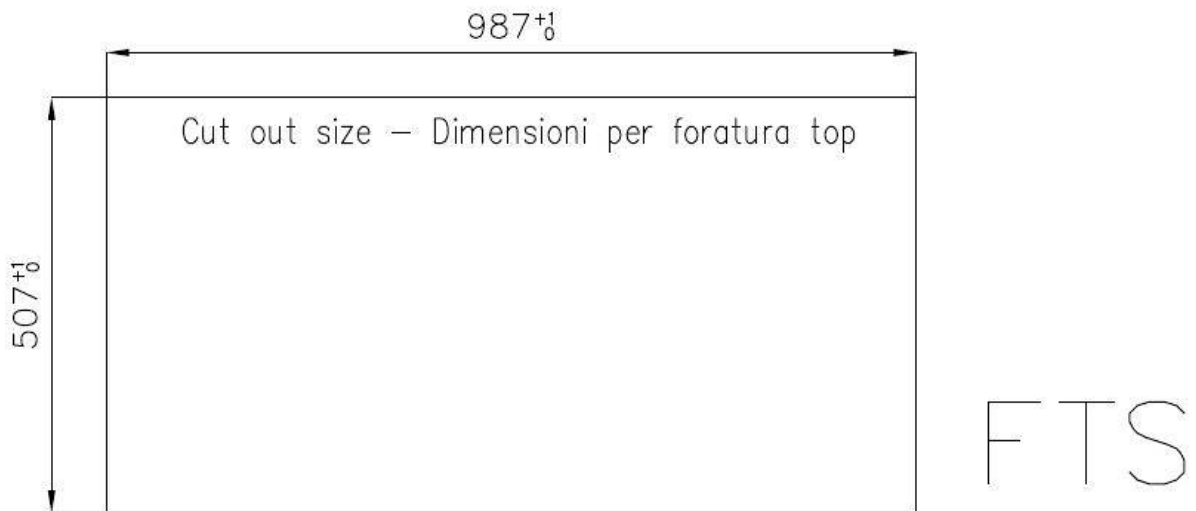
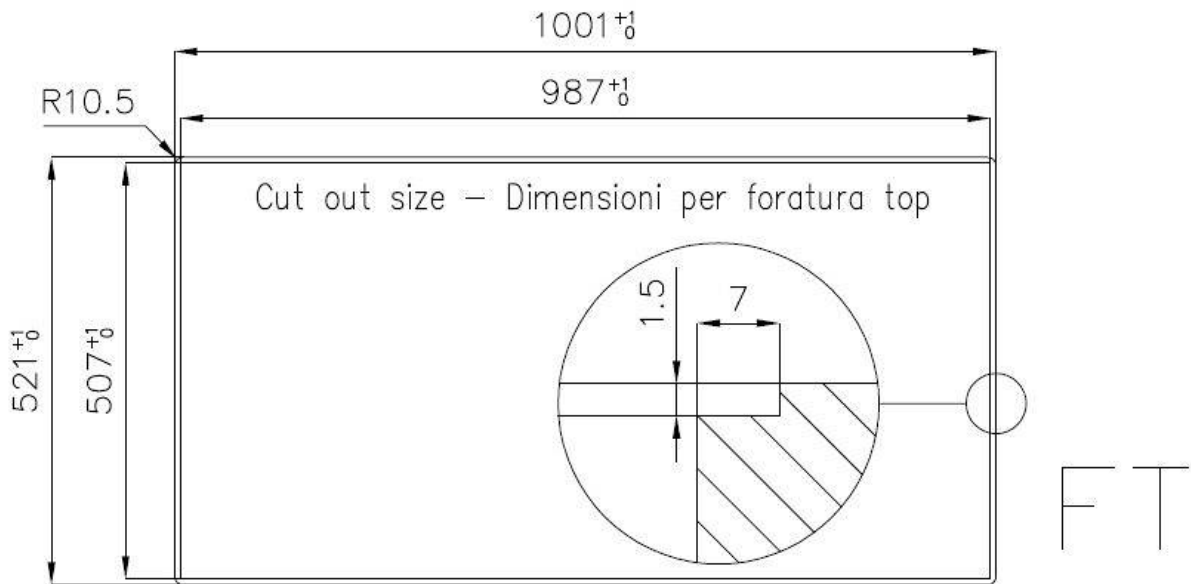
FEATURES

Double mixer hole	The large tap counter is already fitted with a series of 2 tap holes. In the second hole it is possible to install the remote control of the automatic drain or, alternatively, a practical soap dispenser.
High thickness	1mm thick steel. A significant thickness, which guarantees the maximum sturdiness and durability.
Automatic waste fitting	The waste-fitting with round remote knob is supplied; a practical accessory which makes it unnecessary to get wet in order to drain the water from the bowl.
Basket 3,5" waste fitting	The drain is equipped with a large 3.5" drain, with the practical basket cap that prevents the discharge of solid parts.
Perimetral overflow	The overflow is always a security on the Foster sinks that prevents the overflow of water in case of oversights. The perimeter drain solution improves aesthetics thanks to its square and essential shape.
Small radius	Bowls with squared shapes with a modern design and an increased capacity, for a minimal aesthetics connected with an extreme practicality.
Deep bowls	This bowls reach an important depth, over 20 cm, thanks to the advanced production technology, that can be offer great capieny and practicality in all the washing operations.

TECHNICAL DATA



Lavello serie Master cod. 1251/05*



EQUIPMENT



Automatic waste fitting 8407 113

OPTIONAL ACCESSORIES



Glass chopping board 8631 300



HPDE Chopping board 8657 001



HPDE Twin chopping board 8644 101



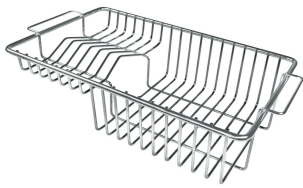
Iroko-wood chopping board with stainless steel colander 8644 042



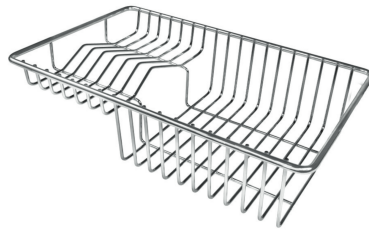
Iroko-wood sliding chopping board 8644 041



Stainless steel basket 8611 000



Stainless steel plate rack 8100 201



Stainless steel plate rack 8100 303



White bowl 8153 100



Graters kit with ring-holder and food collection tray 8159 101



Stainless steel perforated tray 8151 000

WARNING:

The accessories 8159101, 8100303,8151000 are only usable in combination with 8644101

RECOMMENDED PAIRINGS



Mixer Tap Master 8493 000



Mixer Tap Play 8487 000