

Sink Quadra

Bowl on the right

Kitchen Sinks

Code: 1246 091



DETAILS

Edge/Installation Type Q4 (4 mm Edge)

Finish Foster brushed

Material AISI 304 stainless steel

Texture Brushed in line

Base 40 cm

Dimensions 600x520 mm

Standard fittings Fixing hooks, gasket, drain, overflow and siphon, boxed packing

Mixer holes 2 standard holes

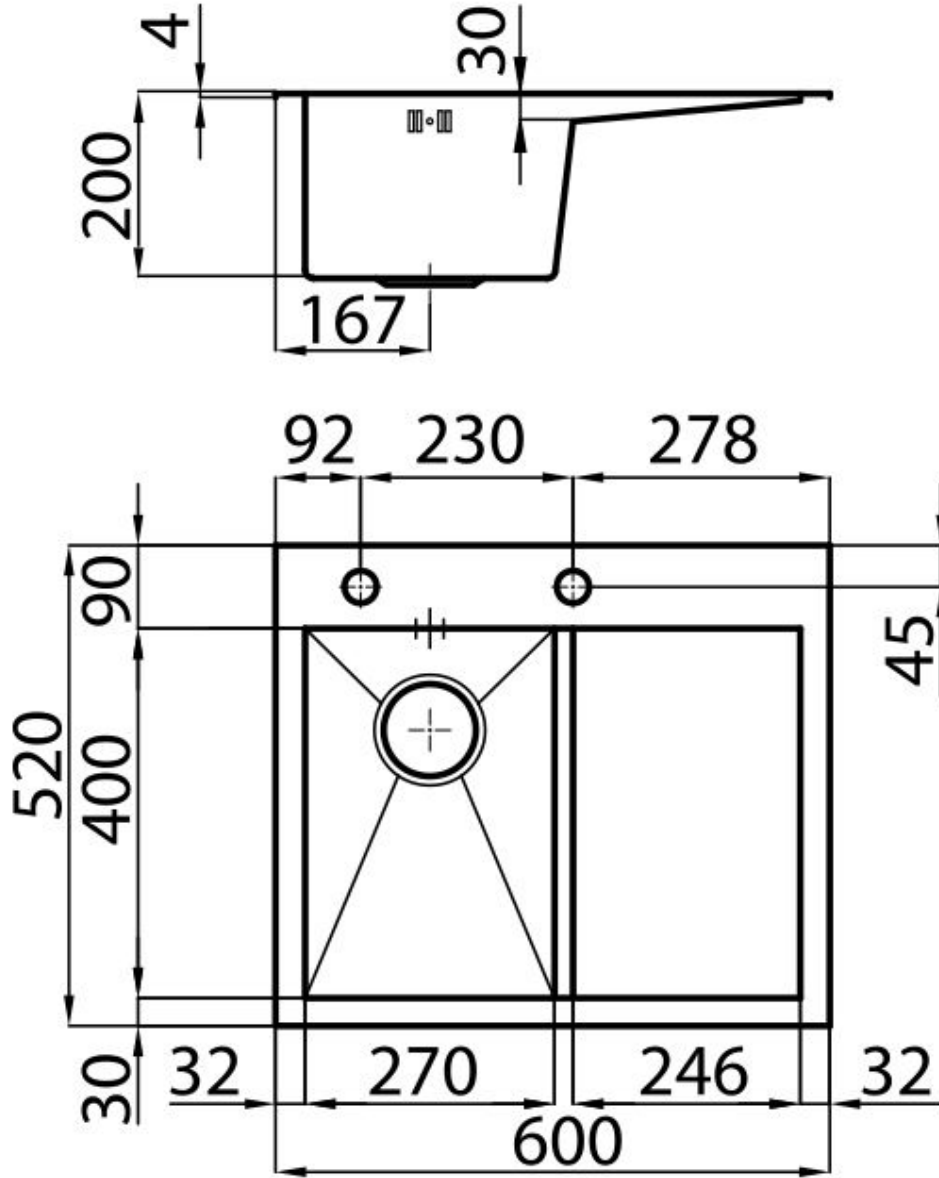
Built-in hole 580x500 mm

Drainer	Yes
Width	60 cm
Bowl dimension	270x400mm
Number of bowls	1 bowl
Waste fitting	Drain with automatic PR control

FEATURES

Automatic waste fitting	The waste-fitting with round remote knob is supplied; a practical accessory which makes it unnecessary to get wet in order to drain the water from the bowl.
Basket 3,5" waste fitting	The drain is equipped with a large 3.5" drain, with the practical basket cap that prevents the discharge of solid parts.
Deep bowls	This bowls reach an important depth, over 20 cm, thanks to the advanced production technology, that can be offer great capiciency and practicity in all the washing operations.
Diamond-shape bottom	The draining of water is an important feature in a sink, and it's always taken good care of in Foster products. In the bent-welded sinks, which would have a flat bottom, the proper draining is guaranteed by the elegant beveling, which helps the water flow.
Double mixer hole	The large tap counter is already fitted with a series of 2 tap holes. In the second hole it is possible to install the remote control of the automatic drain or, alternatively, a practical soap dispenser.
High thickness	1mm thick steel. A significant thickness, which guarantees the maximum sturdiness and durability.
Squared bowls - 0/9 radius	The square bowls of Foster have perfectly squared vertical edges, while those on the bottom have a small radius of 9 mm that facilitates cleaning operations.

TECHNICAL DATA



GALLERY



OPTIONAL ACCESSORIES



Glass chopping board
8631 300



HDPE Chopping board
8657 001



White bowl
8153 100