

Sink Quadra

Kitchen Sinks

Code: 1246 092



DETAILS

Edge/Installation Type Q4 (4 mm Edge)

Finish Foster brushed

Material AISI 304 stainless steel

Texture Brushed in line

Base 40 cm

Dimensions 600x520 mm

Standard fittings Fixing hooks, gasket, drain, overflow and siphon, boxed packing

Mixer holes 2 standard holes

Built-in hole 580x500 mm

Drainer Yes

Width 60 cm

Bowl dimension 270x400mm

Number of bowls 1 bowl

Waste fitting Drain with automatic PR control

FEATURES

Automatic waste fitting The waste-fitting with round remote knob is supplied; a practical accessory which makes it unnecessary to get wet in order to drain the water from the bowl.

Basket 3,5" waste fitting The drain is equipped with a large 3.5" drain, with the practical basket cap that prevents the discharge of solid parts.

Deep bowls This bowls reach an important depth, over 20 cm, thanks to the advanced production technology, that can be offer great capiciency and practicity in all the washing operations.

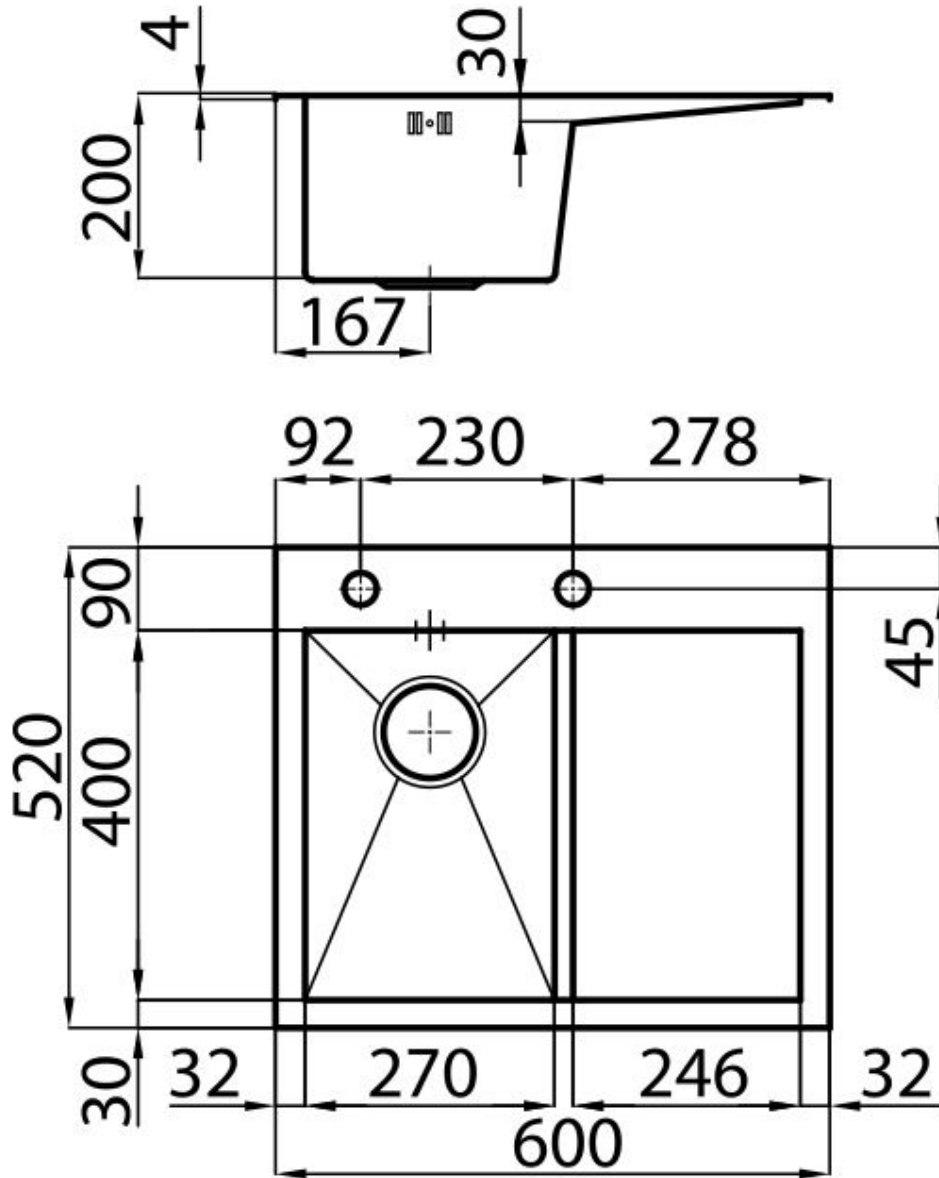
Diamond-shape bottom The draining of water is an important feature in a sink, and it's always taken good care of in Foster products. In the bent-welded sinks, which would have a flat bottom, the proper draining is guaranteed by the elegant beveling, which helps the water flow.

Double mixer hole The large tap counter is already fitted with a series of 2 tap holes. In the second hole it is possible to install the remote control of the automatic drain or, alternatively, a practical soap dispenser.

High thickness 1mm thick steel. A significant thickness, which guarantees the maximum sturdiness and durability.

Squared bowls - 0/9 radius The square bowls of Foster have perfectly squared vertical edges, while those on the bottom have a small radius of 9 mm that facilitates cleaning operations.

TECHNICAL DATA



GALLERY



OPTIONAL ACCESSORIES



Glass chopping board



HPDE Chopping board



White bowl