

## Sink Quadra

Kitchen Sinks

Code: 1235 050



### DETAILS

Edge/Installation Type Flush-mount | Top-mount

---

Finish Foster brushed

---

Material AISI 304 stainless steel

---

Texture Brushed in line

---

Base 60 cm

---

Dimensions 540 x 440 mm

---

Standard fittings Fixing hooks, gasket, drain, overflow and siphon, boxed packing

---

Mixer holes 2 standard holes - 3rd and 4th holes on request

---

Built-in hole [View technical data sheet](#)

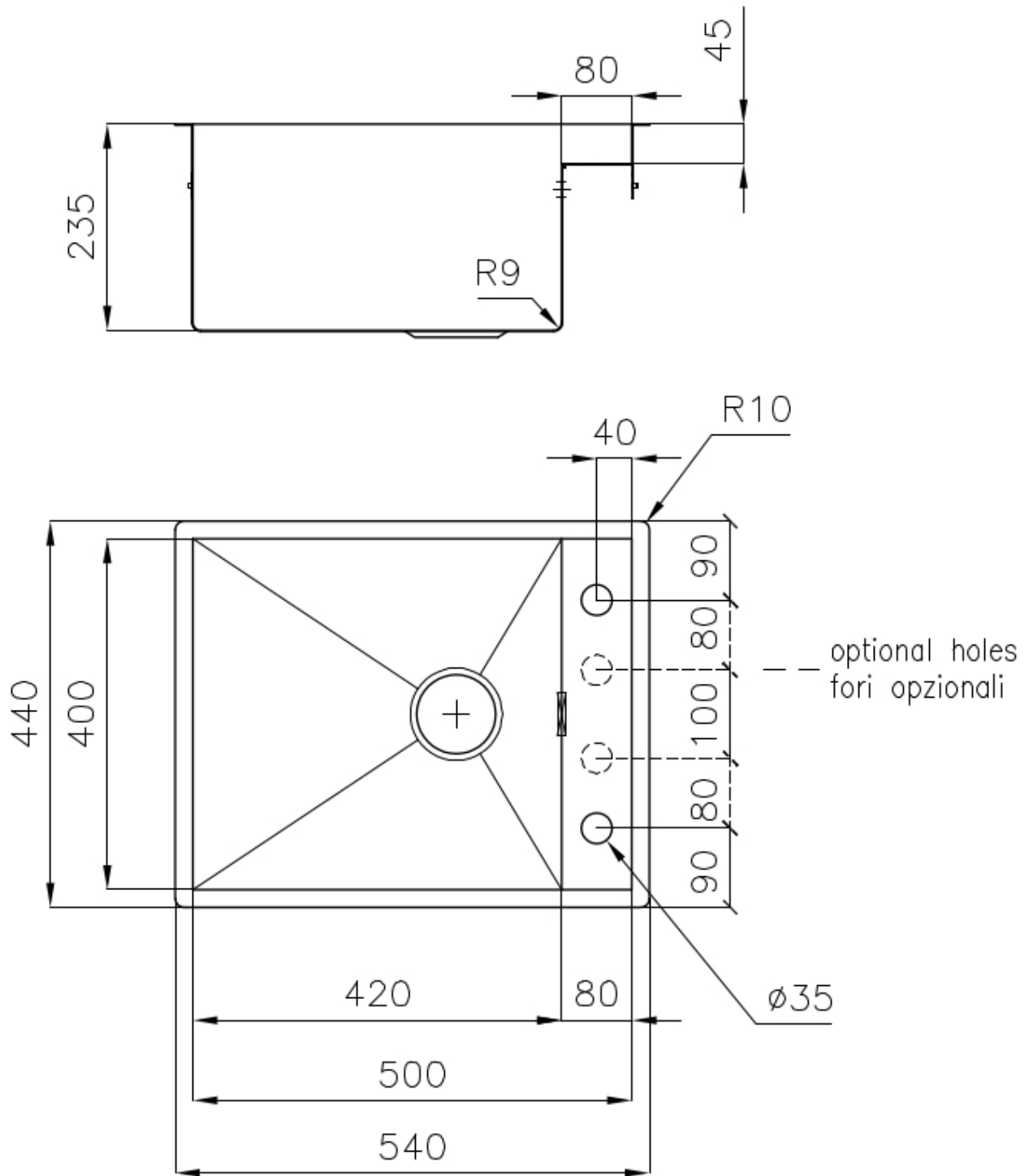
---

Drainer	No
Width	54 cm
Bowl dimension	420x400mm
Number of bowls	1 bowl
Waste fitting	3,5" drain
Notes:	Eclipse mixer tap (8499 000) compatible by swapping the automatic wastefitting with either 8407 116 or 8407 117.

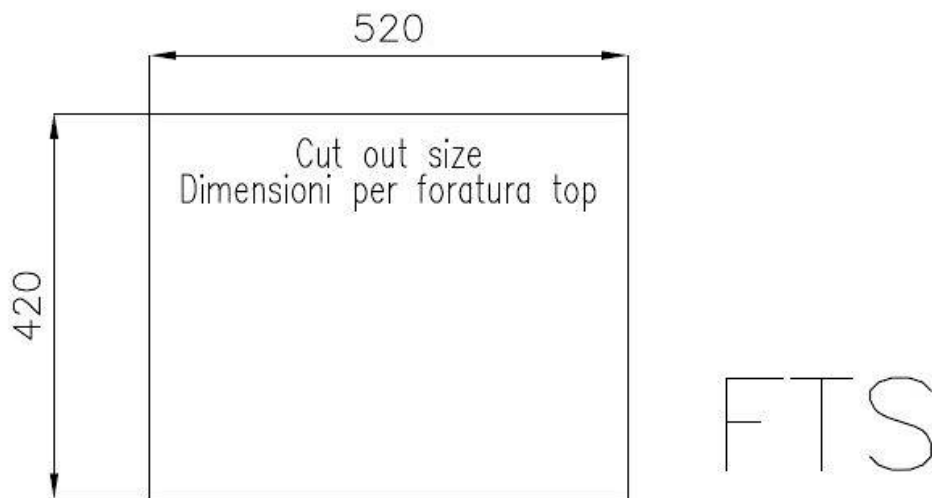
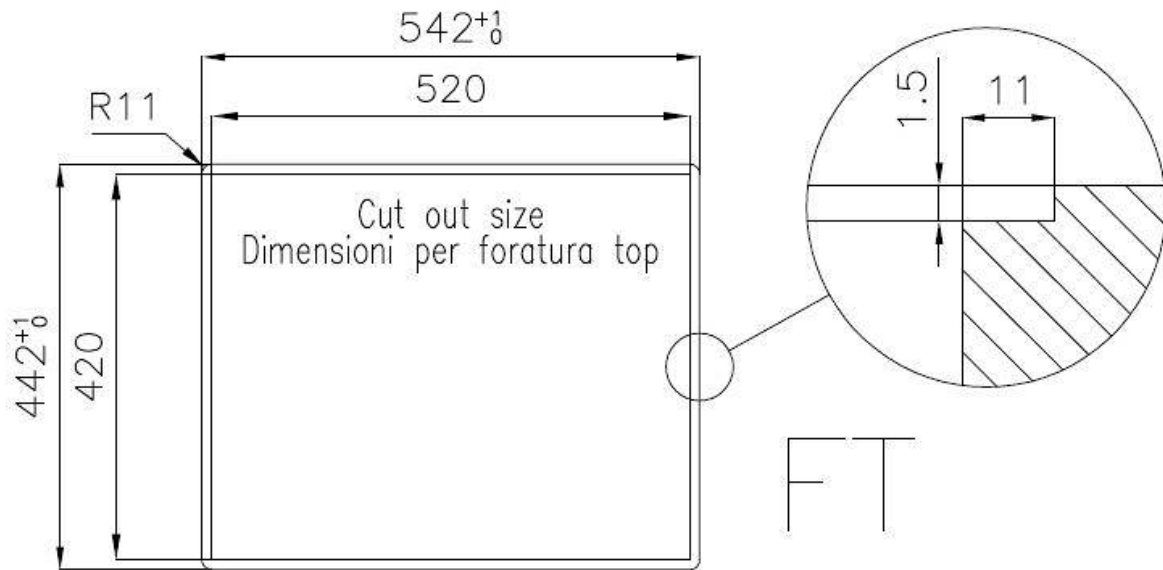
## FEATURES

Basket 3,5" waste fitting	The drain is equipped with a large 3.5" drain, with the practical basket cap that prevents the discharge of solid parts.
Deep bowls	This bowls reach an important depth, over 20 cm, thanks to the advanced production technology, that can be offer great capiciency and practicity in all the washing operations.
Diamond-shape bottom	The draining of water is an important feature in a sink, and it's always taken good care of in Foster products. In the bent-welded sinks, which would have a flat bottom, the proper draining is guaranteed by the elegant beveling, which helps the water flow.
High thickness	1mm thick steel. A significant thickness, which guarantees the maximum sturdiness and durability.
Perimetral overflow	The overflow is always a security on the Foster sinks that prevents the overflow of water in case of oversights. The perimeter drain solution improves aesthetics thanks to its square and essential shape.
Squared bowls - 0/9 radius	The square bowls of Foster have perfectly squared vertical edges, while those on the bottom have a small radius of 9 mm that facilitates cleaning operations.

## TECHNICAL DATA



## Lavello / Sink cod. 1235 050



### GALLERY



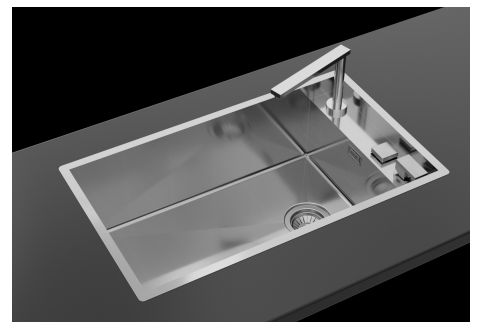
Il lavello può essere installato con banco rubinetteria frontale o laterale.

The sink can be installed with the tap counter on the back or side.



Abbinamento miscelatore Eclipse (8499 000), tagliere Twin (8644 004) e piletta automatica (8407 116 o 8407 117)

Combination of Eclipse mixer tap (8499 000), Twin chopping board (8644 004) and automatic waste fitting (8407 116 or 8407 117)



## EQUIPMENT



**Automatic waste fitting - PM**  
8407 113

## OPTIONAL ACCESSORIES



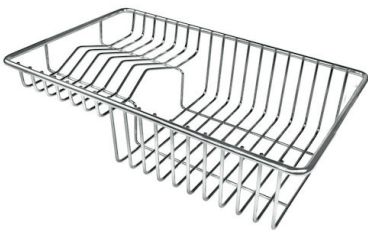
**Glass chopping board**  
8631 300



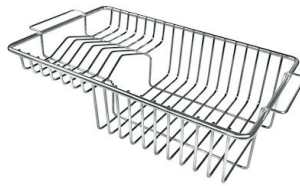
**HDPE Chopping board**  
8657 001



**HPDE Twin chopping board**  
8644 101



**Stainless steel plate rack**  
8100 303



**Stainless steel plate rack**  
8100 201



**White bowl**  
8153 100

\* only in combination with the accessory  
8644 101



**Black grid**  
8100 617



**Graters kit with ring-holder and food collection tray**

8159 101

\* only in combination with the accessory

8644 101



**Iroko-wood sliding chopping board with stainless steel colander**

8644 044



**Stainless steel perforated tray**

8151 000

\* only in combination with the accessory

8644 101

## RECOMMENDED PAIRINGS



**Mixer Tap Eclipse**

8499 000

## OPTIONAL AUTOMATIC WASTE FITTINGS



**Space automatic waste fitting - PA**  
8407 108



**Space automatic waste fitting - PE**  
8407 109



**Space Light automatic waste fitting  
- PL**  
8407 117



**Space Milano automatic waste  
fitting**  
8407 115



**Space Push automatic waste fitting  
- PP**  
8407 116