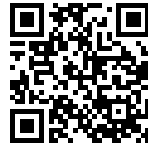


Sink Quadra

Kitchen Sinks

Code: 1209 050



DETAILS

Edge/Installation Type

Flat Edge

Finish

Foster brushed

Material

AISI 304 stainless steel

Texture

Brushed in line

Base

80 cm

Dimensions

804x510 mm

Standard fittings

Fixing hooks, gasket, drain, overflow and siphon, boxed packing

Mixer holes

1 standard hole

Built-in hole

784x495 mm

Drainer No

Bowl dimension 340x400mm

Number of bowls 2 bowls

Waste fitting 3,5" drain

FEATURES

Basket 3,5" waste fitting The drain is equipped with a large 3.5" drain, with the practical basket cap that prevents the discharge of solid parts.

Deep bowls This bowls reach an important depth, over 20 cm, thanks to the advanced production technology, that can be offer great capieny and practicity in all the washing operations.

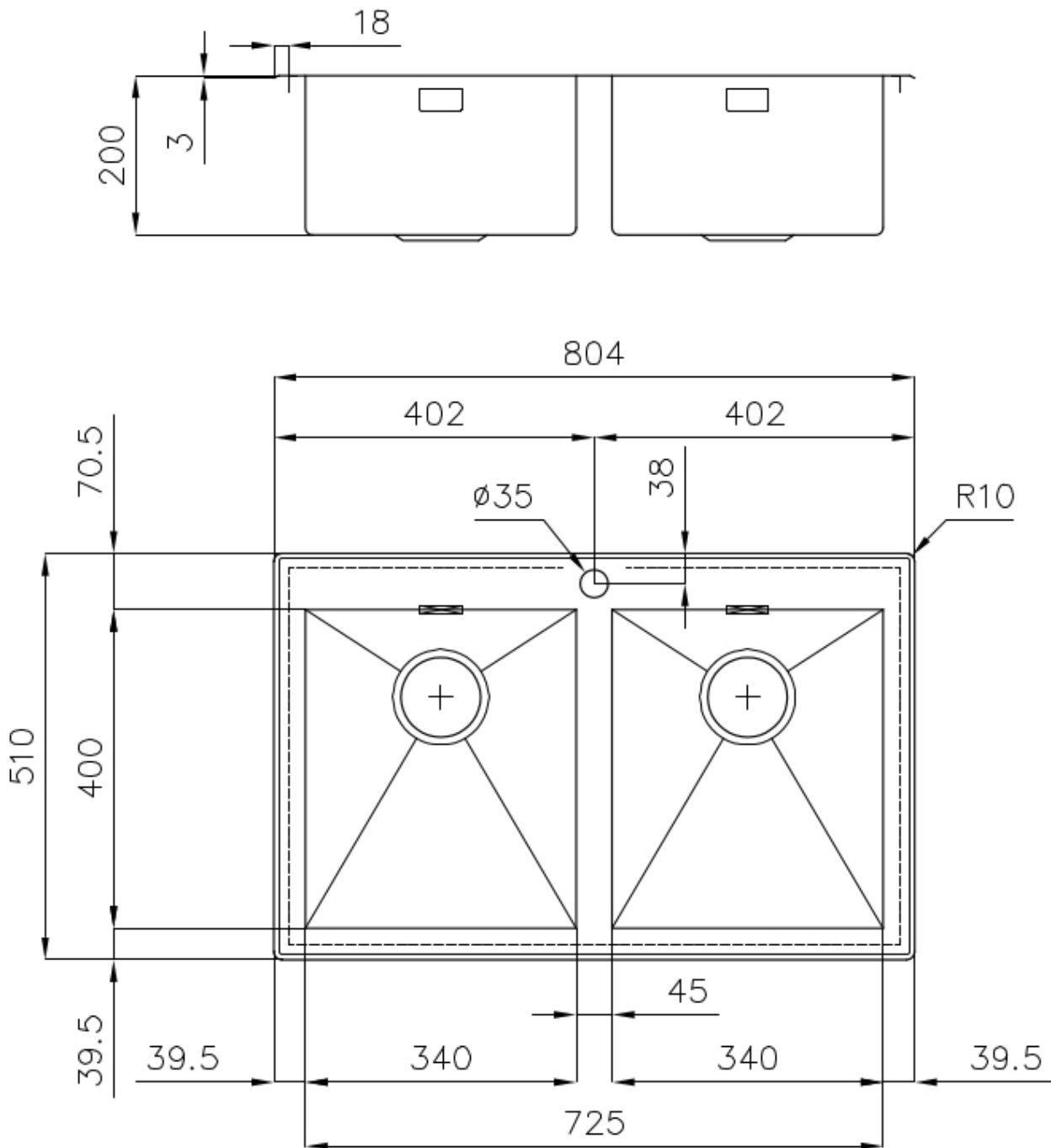
Diamond-shape bottom The draining of water is an important feature in a sink, and it's always taken good care of in Foster products. In the bent-welded sinks, which would have a flat bottom, the proper draining is guaranteed by the elegant beveling, which helps the water flow.

High thickness 1mm thick steel. A significant thickness, which guarantees the maximum sturdiness and durability.

Perimetral overflow The overflow is always a security on the Foster sinks that prevents the overflow of water in case of oversights. The perimeter drain solution improves aesthetics thanks to its square and essential shape.

Small radius Bowls with squared shapes with a modern design and an increased capacity, for a minimal aesthetics connected with an extreme practicity.

TECHNICAL DATA



GALLERY



OPTIONAL ACCESSORIES



Glass chopping board



HPDE Chopping board



HPDE Twin chopping board



Iroko-wood chopping board with stainless steel colander



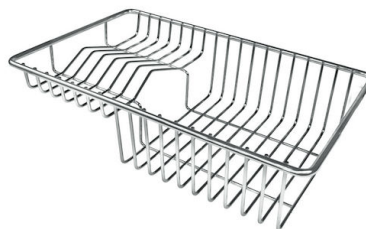
Iroko-wood sliding chopping board



Stainless steel basket



Stainless steel plate rack



Stainless steel plate rack



White bowl



Graters kit with ring-holder and food collection tray



Stainless steel perforated tray

WARNING:

The accessories 8159101, 8100303,8151000 are only usable in combination with 8644101

RECOMMENDED PAIRINGS



Mixer Tap Tre Alto



Mixer Tap Twix Plus