

## Sink Quadra

Kitchen Sinks

Code: 1205 050



### DETAILS

Edge/Installation Type	Flat Edge
Finish	Foster brushed
Material	AISI 304 stainless steel
Texture	Brushed in line
Base	45 cm
Dimensions	479x510 mm
Standard fittings	Fixing hooks, gasket, drain, overflow and siphon, boxed packing
Mixer holes	2 standard holes
Built-in hole	459x495 mm

Drainer	No
Width	48 cm
Bowl dimension	400x400mm
Number of bowls	1 bowl
Waste fitting	Drain with automatic PM control

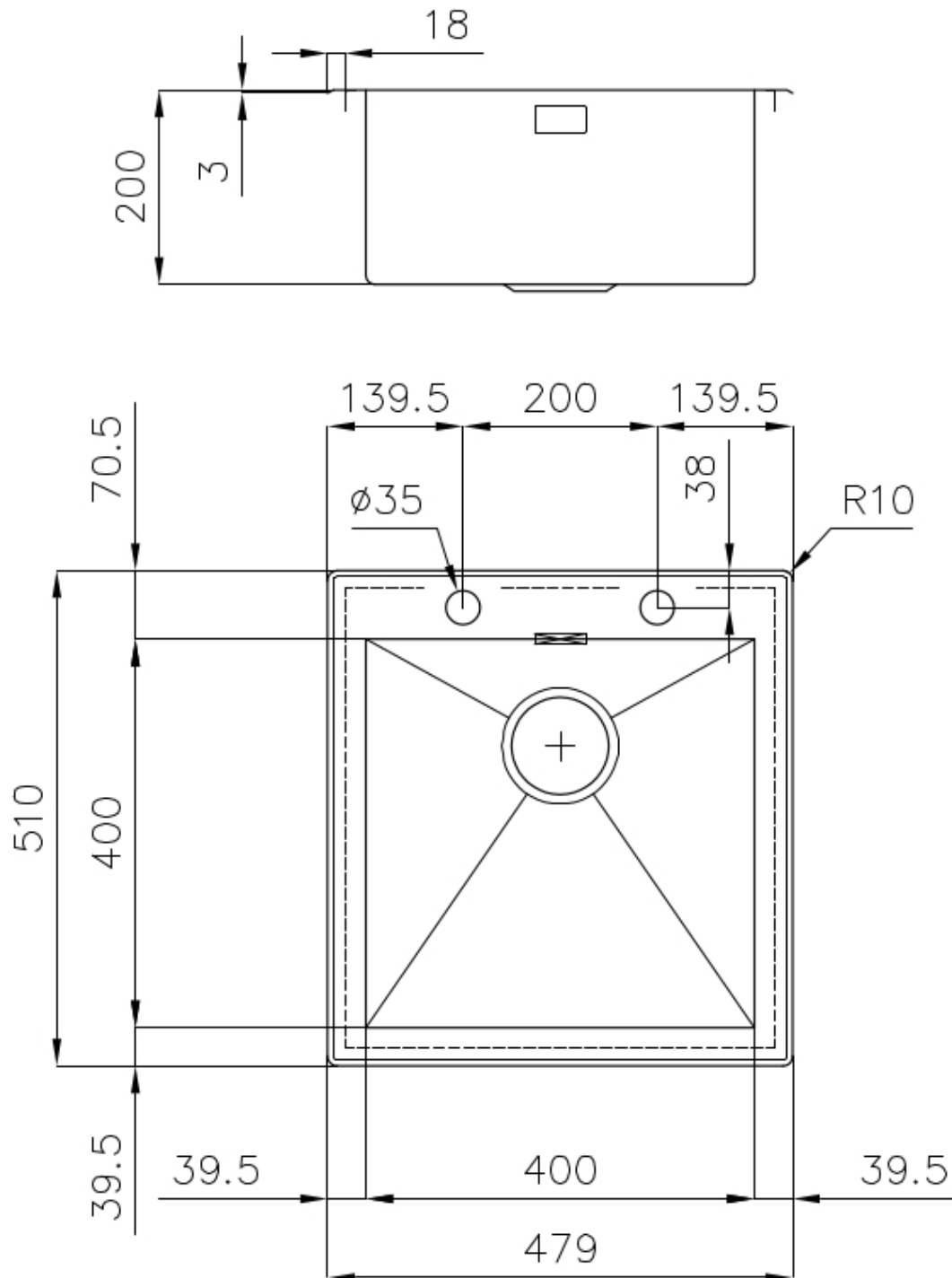
## FEATURES

Automatic waste fitting	The waste-fitting with round remote knob is supplied; a practical accessory which makes it unnecessary to get wet in order to drain the water from the bowl.
Basket 3,5" waste fitting	The drain is equipped with a large 3.5" drain, with the practical basket cap that prevents the discharge of solid parts.
Deep bowls	This bowls reach an important depth, over 20 cm, thanks to the advanced production technology, that can be offer great capiciency and practicity in all the washing operations.
Diamond-shape bottom	The draining of water is an important feature in a sink, and it's always taken good care of in Foster products. In the bent-welded sinks, which would have a flat bottom, the proper draining is guaranteed by the elegant beveling, which helps the water flow.
Double mixer hole	The large tap counter is already fitted with a series of 2 tap holes. In the second hole it is possible to install the remote control of the automatic drain or, alternatively, a practical soap dispenser.
High thickness	1mm thick steel. A significant thickness, which guarantees the maximum sturdiness and durability.
Perimetral overflow	The overflow is always a security on the Foster sinks that prevents the overflow of water in case of oversights. The perimeter drain solution improves aesthetics thanks to its square and essential shape.

Small radius

Bowls with squared shapes with a modern design and an increased capacity, for a minimal aesthetics connected with an extreme practicality.

## TECHNICAL DATA



## GALLERY



## EQUIPMENT



Automatic waste fitting

## OPTIONAL ACCESSORIES



Cestello inox



Glass chopping board



HPDE Chopping board



HPDE Twin chopping board



Iroko-wood chopping board with stainless steel colander



Iroko-wood sliding chopping board



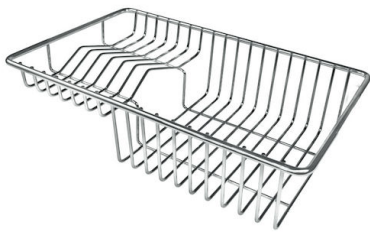
Iroko-wood twin chopping board



Stainless steel colander



Stainless steel plate rack



Stainless steel plate rack



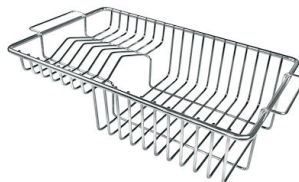
White bowl



Graters kit with ring-holder and food collection tray



Stainless steel perforated tray



Stainless steel plate rack

**WARNING:**

The accessories 8159101, 8100303,8151000 are only usable in combination with 8644101

The accessories 8100154, 8154000 are only usable in combination with 8644004

## RECOMMENDED PAIRINGS



Mixer Tap Tre Alto



Mixer Tap Twix Plus