

Sink S1000 1197 16x

Kitchen Sinks

Code: 1197 16x

Code: 1197 161 DX (Sink on the right)

Code: 1197 162 SX (Sink on the left)



DETAILS

Finish Foster brushed

Material AISI 304 stainless steel

Texture Foster brushed

Base 60-80 cm

Edge/Installation Type Standard (8 mm Edge)

Dimensions 970x500 mm

Standard fittings Fixing hooks, gasket, drain, overflow and siphon, boxed packing

Mixer holes 1 standard hole - 2nd hole on request

Built-in hole 950x480 mm

Drainer Yes

Width 97 cm

Bowl dimension 340x400 + 170x340mm

Number of bowls 2 bowls

Waste fitting 3,5" drain

FEATURES

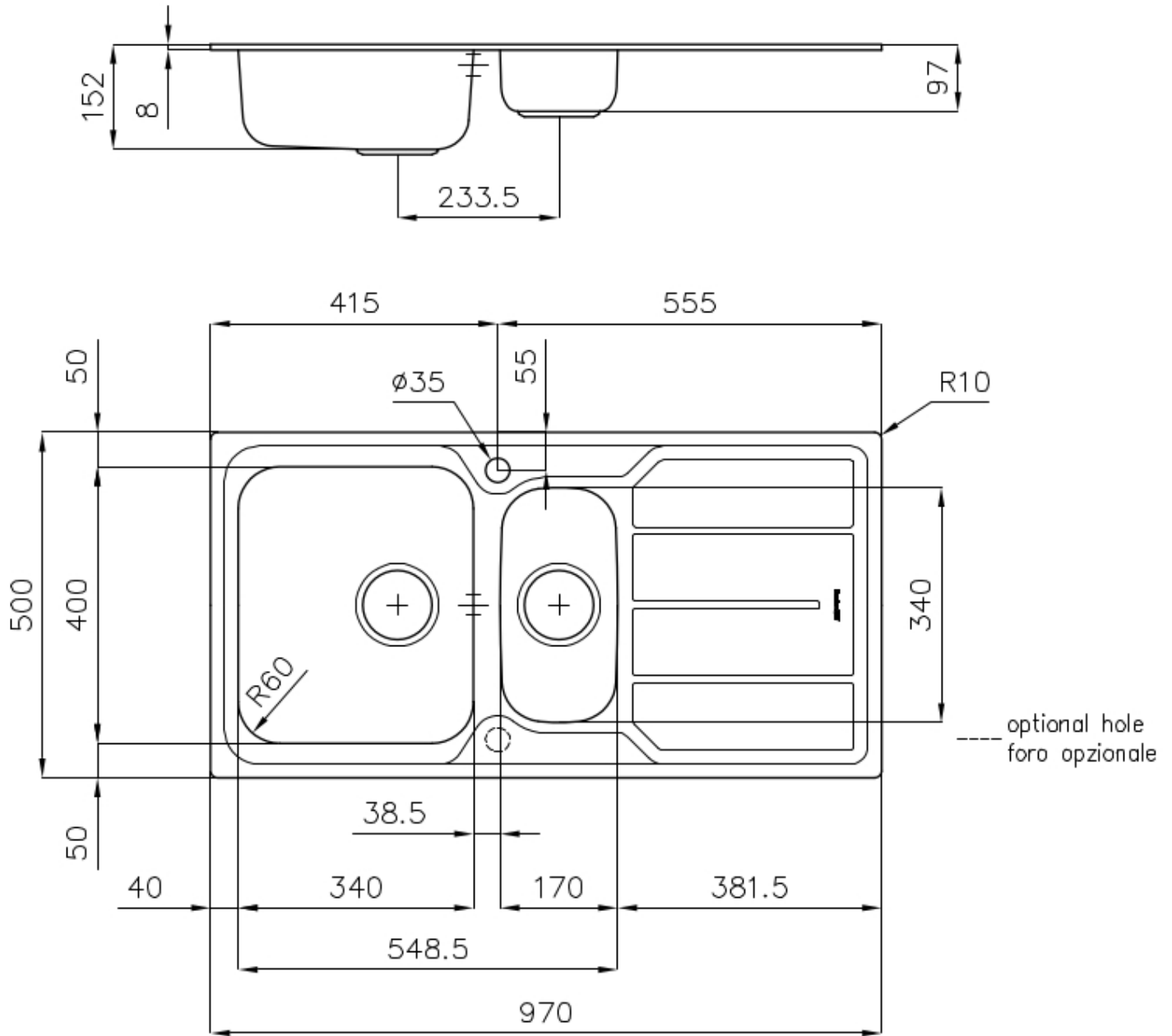
Sliding brackets

Added value Foster uses steel thicknesses higher than those used on average by other manufacturers. This is how, thanks to our long experience, we know how to make sinks of superior quality and with a better resistance to aging.

Basket 3,5" waste fitting The drain is equipped with a large 3.5" drain, with the practical basket cap that prevents the discharge of solid parts.

2nd / 3rd hole available The sink can be customized with the execution on request of additional holes, usable for double-hole mixers, for remote controlled drains or for the installation of soap dispensers. The positions are marked on the drawings with dotted line holes.

TECHNICAL DATA



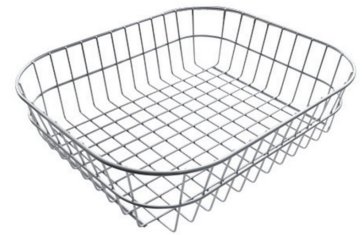
OPTIONAL ACCESSORIES



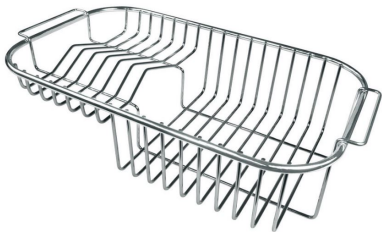
HPDE Chopping board 8657 001



Iroko-wood sliding chopping board 8643 000



Stainless steel basket 8611 000



Stainless steel plate rack 8100 301

RECOMMENDED PAIRINGS



Mixer Tap Lorenzo 8466 000



Mixer Tap S1000 - RO 8443 002

OPTIONAL AUTOMATIC WASTE FITTINGS



Automatic waste fitting 8407 000



Automatic waste fitting 8407 100



LIRA automatic waste fitting
8407 102



LIRA automatic waste fitting
8407 103