

Single tank sink S1000 Gun Metal

Kitchen Sinks

Code: 1180 156



DETAILS

Edge/Installation Type Flat Edge

Material AISI 304 stainless steel

Texture Foster brushed

Finish PVD

Coloring Gun Metal

Base 80 cm

Dimensions 865 x 505 mm

Bowl dimension 726 x 350 mm

Width 86 cm

Built-in hole 840 x 480 mm

Number of bowls 1 bowl

Drainer No

Mixer holes 1 standard hole - 2nd and 3rd on request

Standard fittings Fixing hooks, gasket, drain, overflow and siphon, boxed packing

Waste fitting 3,5" drain

FEATURES

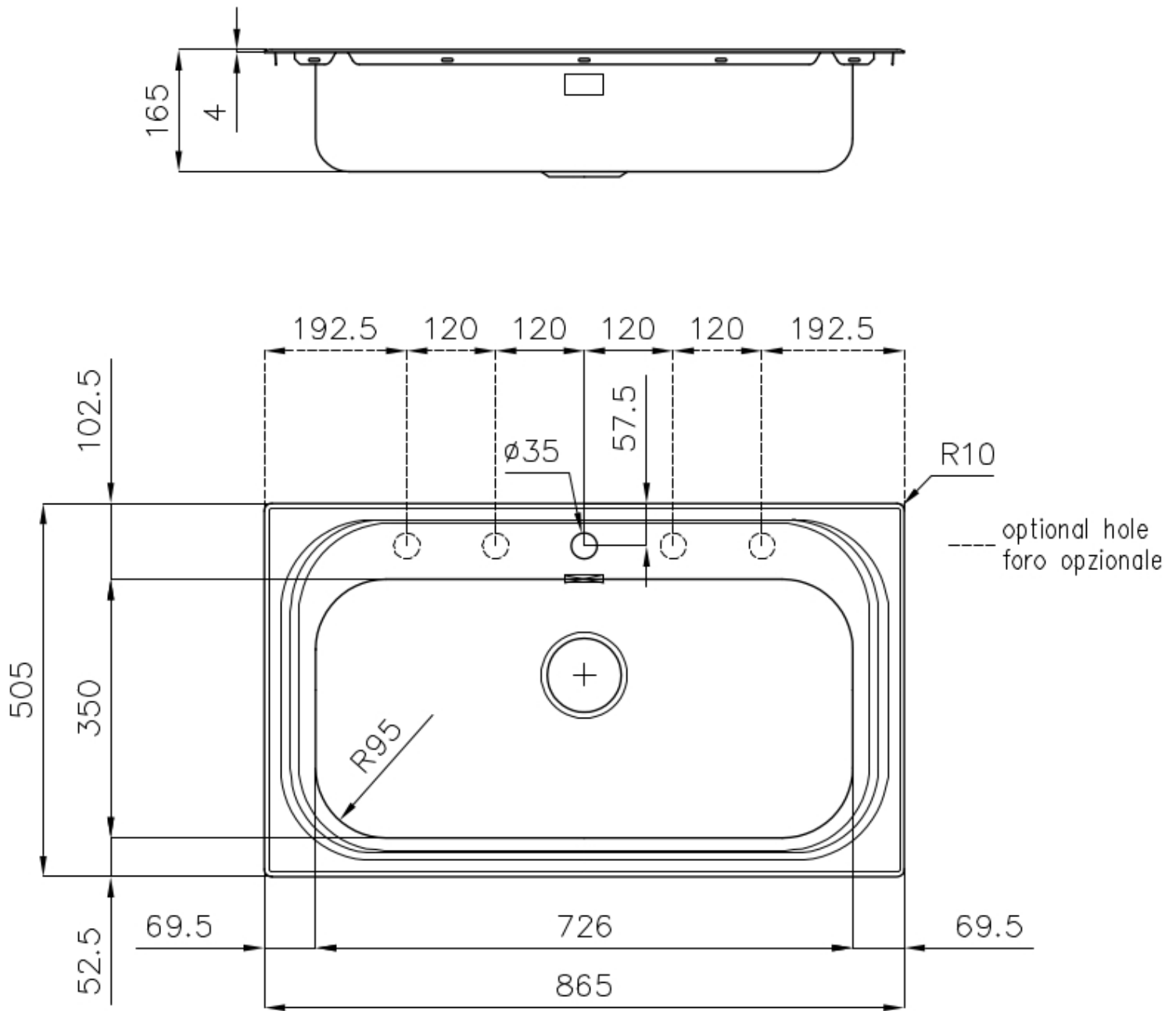
Added value Foster uses steel thicknesses higher than those used on average by other manufacturers. This is how, thanks to our long experience, we know how to make sinks of superior quality and with a better resistance to aging.

ADDITIONAL HOLES AVAILABLE The sink can be customized with the execution on request of additional holes, usable for double-hole mixers, for remote controlled drains or for the installation of soap dispensers. The positions are marked on the drawings with dotted line holes.

Basket 3,5" waste fitting The drain is equipped with a large 3.5" drain, with the practical basket cap that prevents the discharge of solid parts.

Gun Metal The Gun Metal finish is obtained by treating steel with a physical process called PVD (Physical Vacuum Deposition) which deposits particles of noble metals on the surface. The result is a unique and refined aesthetic effect, and an improvement of the mechanical properties of the steel which is more resistant to impact and scratches.

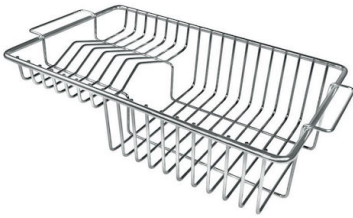
TECHNICAL DATA



GALLERY



OPTIONAL ACCESSORIES



Stainless steel plate rack
8100 305



Glass chopping board
8633 300



Iroko-wood chopping board
8643 117

RECOMMENDED PAIRINGS



Mixer Tap Omega Gun Metal
8497 856

OPTIONAL AUTOMATIC WASTE FITTINGS



**Gun Metal automatic waste fitting -
PG**

8407 110



**Space Push Gun Metal automatic
waste fitting - PO**

8407 120