

Single tank sink S1000



Kitchen Sinks

Code: 1180 150



DETAILS

Edge/Installation Type	Flat Edge
Finish	Foster brushed
Material	AISI 304 stainless steel
Texture	Foster brushed
Base	80 cm
Dimensions	865 x 505 mm
Standard fittings	Fixing hooks, gasket, drain, overflow and siphon, boxed packing
Mixer holes	1 standard hole - 2nd and 3rd on request
Built-in hole	840 x 480 mm

Drainer No

Width 86 cm

Bowl dimension 726 x 350 mm

Number of bowls 1 bowl

Waste fitting 3,5" drain

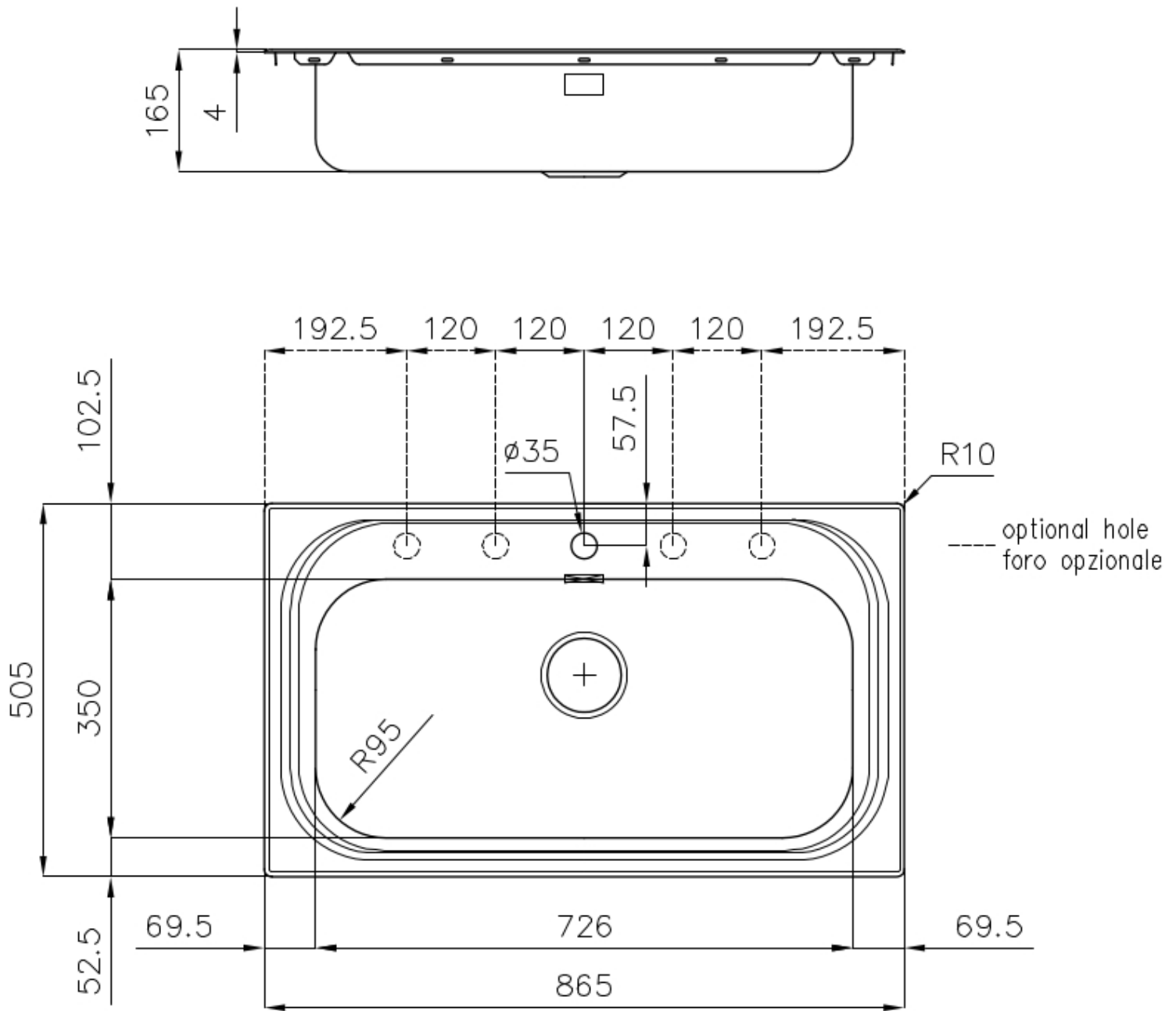
FEATURES

2nd / 3rd hole available The sink can be customized with the execution on request of additional holes, usable for double-hole mixers, for remote controlled drains or for the installation of soap dispensers. The positions are marked on the drawings with dotted line holes.

Added value Foster uses steel thicknesses higher than those used on average by other manufacturers. This is how, thanks to our long experience, we know how to make sinks of superior quality and with a better resistance to aging.

Basket 3,5" waste fitting The drain is equipped with a large 3.5" drain, with the practical basket cap that prevents the discharge of solid parts.

TECHNICAL DATA



GALLERY



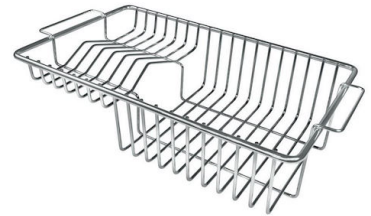
OPTIONAL ACCESSORIES



Glass chopping board
8633 300



Iroko-wood chopping board
8643 117



Stainless steel plate rack
8100 305

RECOMMENDED PAIRINGS



Mixer Tap S1000 - Z65
8449 500