

## Single tank sink S1000

Kitchen Sinks

Code: 1180 150



### DETAILS

Edge/Installation Type Flat Edge

---

Finish Foster brushed

---

Material AISI 304 stainless steel

---

Texture Foster brushed

---

Base 80 cm

---

Dimensions 865x505 mm

---

Standard fittings Fixing hooks, gasket, drain, overflow and siphon, boxed packing

---

Mixer holes 1 standard hole - 2nd and 3rd on request

---

Built-in hole 840x480 mm

---

Drainer No

---

Width 86 cm

---

Bowl dimension 726x350mm

---

Number of bowls 1 bowl

---

Waste fitting 3,5" drain

---

## FEATURES

**2nd / 3rd hole available** The sink can be customized with the execution on request of additional holes, usable for double-hole mixers, for remote controlled drains or for the installation of soap dispensers. The positions are marked on the drawings with dotted line holes.

---

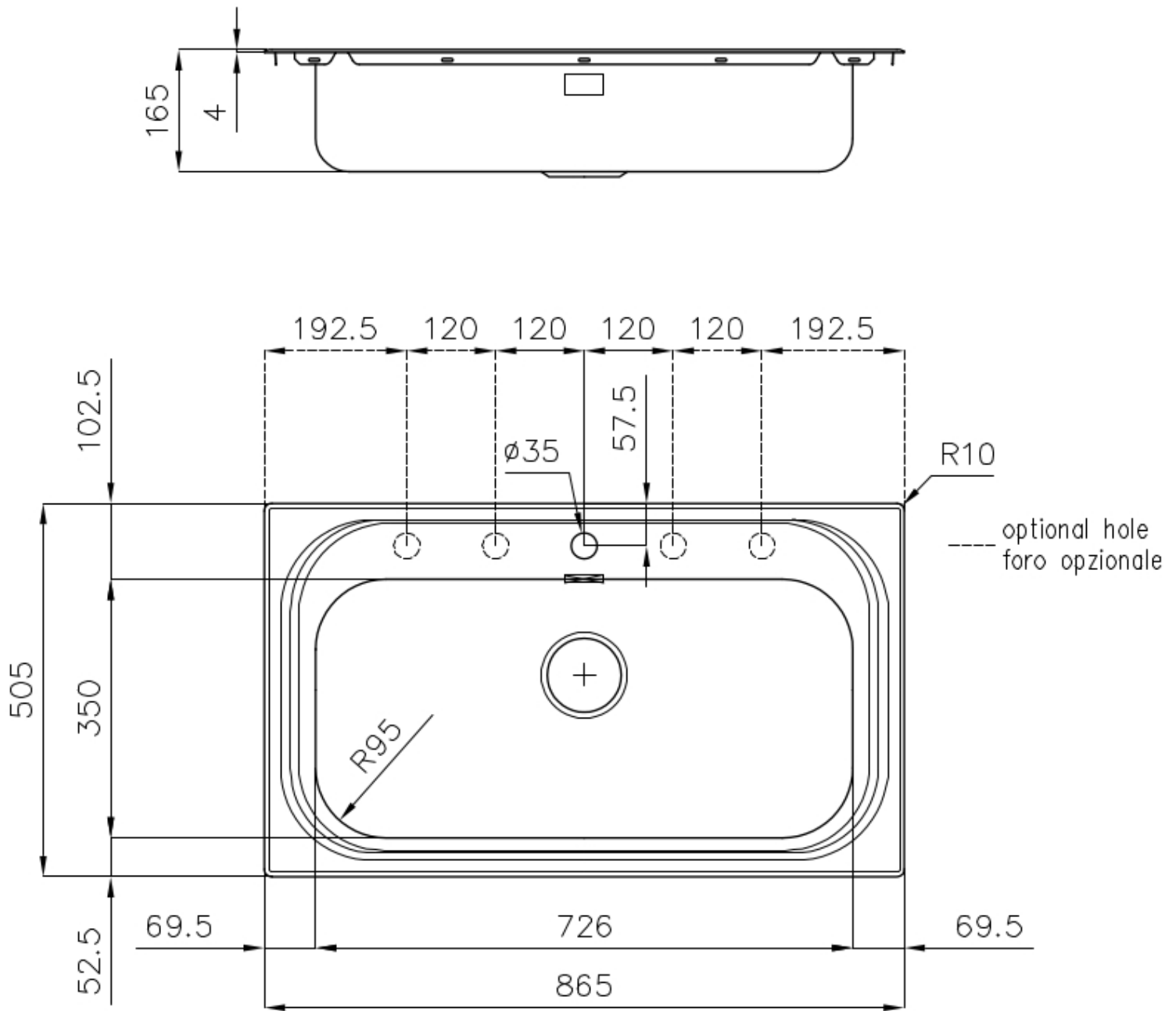
**Added value** Foster uses steel thicknesses higher than those used on average by other manufacturers. This is how, thanks to our long experience, we know how to make sinks of superior quality and with a better resistance to aging.

---

**Basket 3,5" waste fitting** The drain is equipped with a large 3.5" drain, with the practical basket cap that prevents the discharge of solid parts.

---

## TECHNICAL DATA



## GALLERY



## OPTIONAL ACCESSORIES



Glass chopping board



Iroko-wood chopping board



Iroko-wood sliding chopping board



Stainless steel plate rack

## RECOMMENDED PAIRINGS



Mixer Tap Luisa



Mixer Tap S1000 - Z65