

Sink S1000

Kitchen Sinks

Code: 1129 000



DETAILS

Edge/Installation Type Standard (8 mm Edge)

Finish Foster brushed

Material AISI 304 stainless steel

Texture Foster brushed

Base 30 cm

Dimensions 290x500 mm

Standard fittings Fixing hooks, gasket, drain, overflow and siphon, boxed packing

Mixer holes 1 standard hole

Built-in hole 270x480 mm

Drainer No

Width 29 cm

Bowl dimension 240x340mm

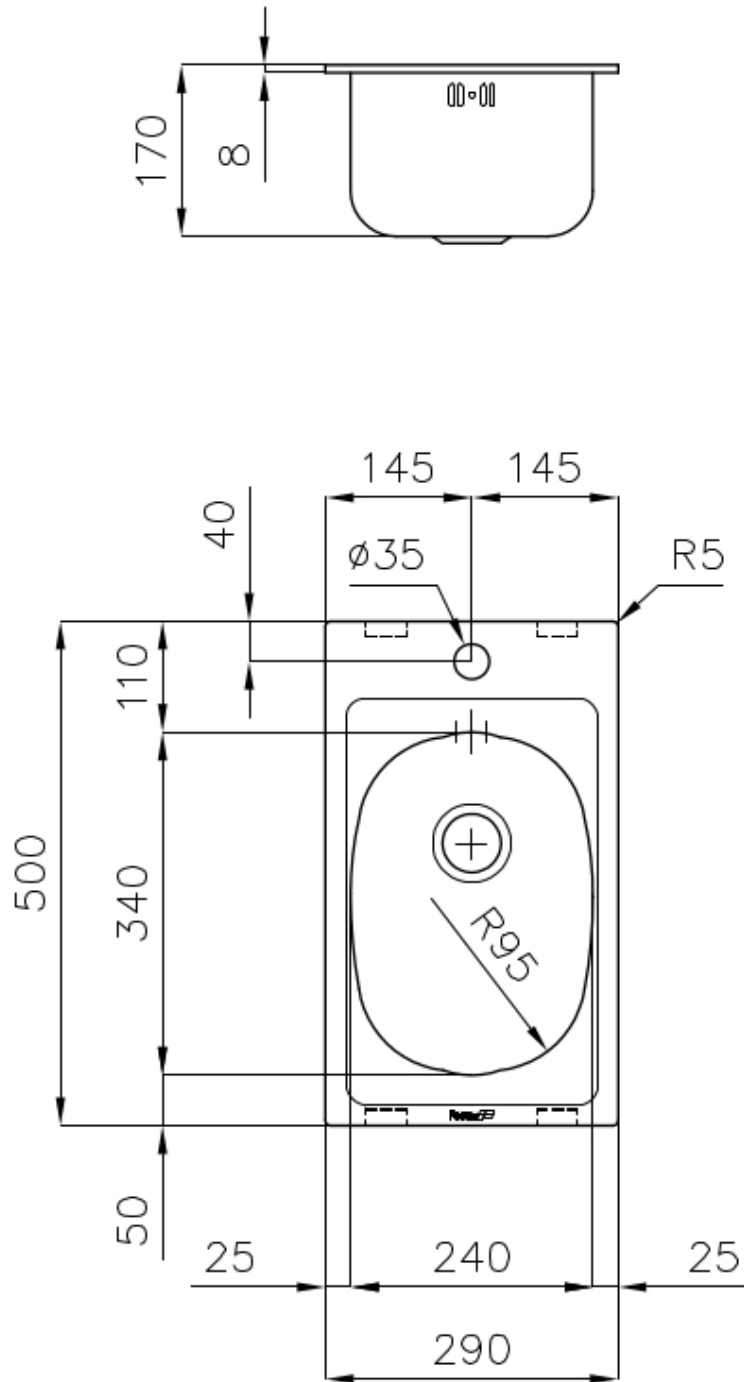
Number of bowls 1 bowl

Waste fitting 2" Drain

FEATURES

Added value Foster uses steel thicknesses higher than those used on average by other manufacturers. This is how, thanks to our long experience, we know how to make sinks of superior quality and with a better resistance to aging.

TECHNICAL DATA



RECOMMENDED PAIRINGS



Mixer Tap S1000 - RO
8443 002