

Sink S3000 1117 86x

Kitchen Sinks

Code: 1117 86x

Code: 1117 861 DX (Waste fitting on the right)

Code: 1117 862 SX (Waste fitting on the left)



DETAILS

Material	AISI 304 stainless steel
Texture	Foster brushed
Base	40 cm
Edge/Installation Type	Undermount
Dimensions	381x441 mm
Standard fittings	Fixing hooks, gasket, drain, overflow and siphon, boxed packing
Mixer holes	No standard holes
Built-in hole	View technical data sheet (for all Flush-mount / Top-mount models and Under-mount models)
Drainer	No

Width 38 cm

Bowl dimension 340x400mm

Number of bowls 1 bowl

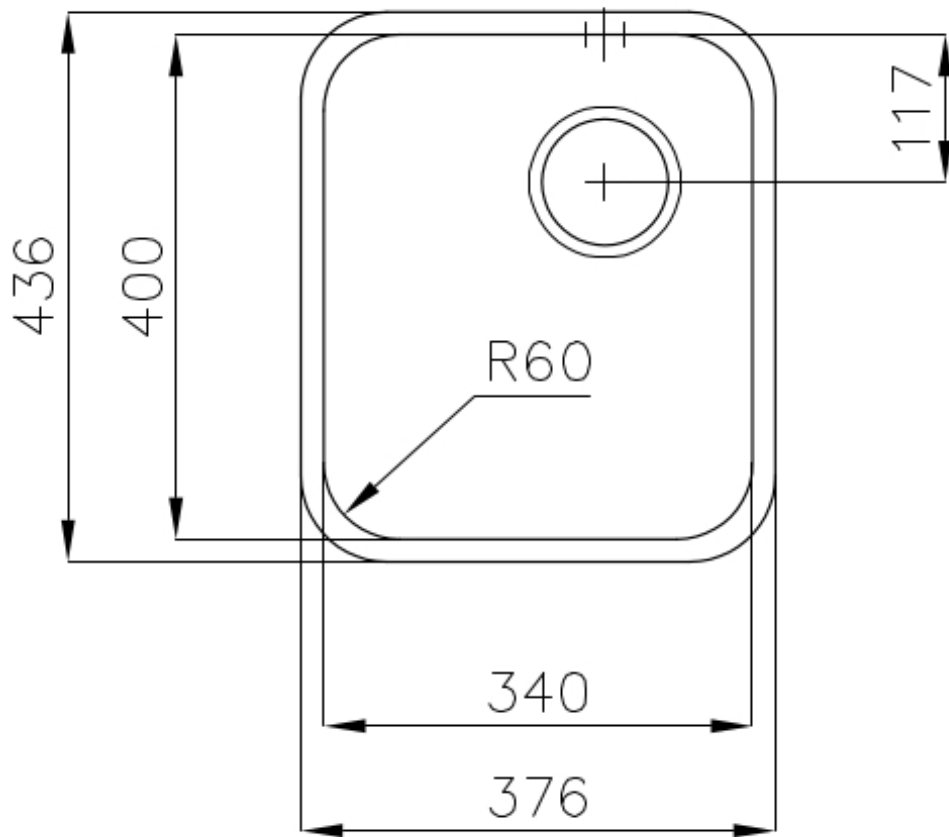
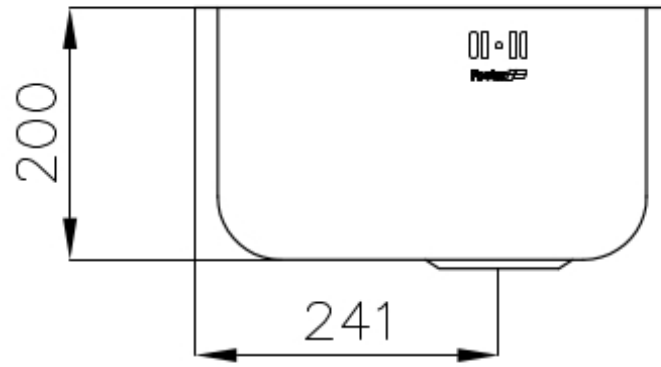
Waste fitting 3,5" drain

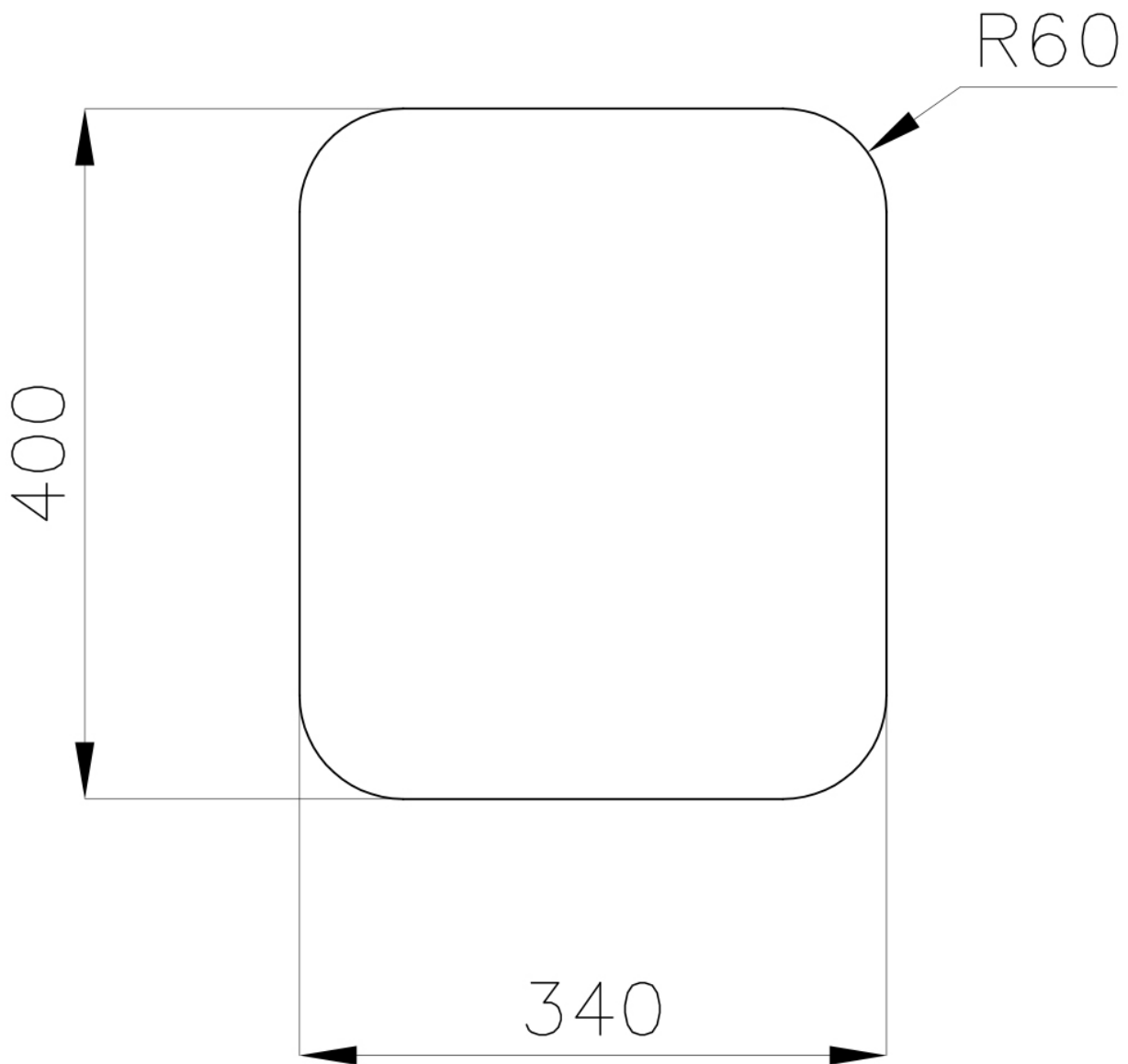
FEATURES

Basket 3,5" waste fitting The drain is equipped with a large 3.5" drain, with the practical basket cap that prevents the discharge of solid parts.

Deep bowls This bowls reach an important depth, over 20 cm, thanks to the advanced production technology, that can be offer great capieny and practicity in all the washing operations.

TECHNICAL DATA





Cut out size
Dimensioni per foratura top

OPTIONAL ACCESSORIES



Cestello inox 8612 000



Glass chopping board 8631 300



HPDE Chopping board 8657 001



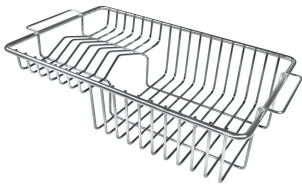
Iroko-wood chopping board 8647 000



White basket 8612 100



White bowl 8153 100



Stainless steel plate rack 8100 201

WARNING:

The accessories 8159101, 8100303,8151000 are only usable in combination with 8644101

RECOMMENDED PAIRINGS



Mixer Tap Drop 8523 000



Mixer Tap Omega 8497 000

OPTIONAL AUTOMATIC WASTE FITTINGS



Automatic waste fitting 8407 000



Automatic waste fitting 8407 100



LIRA automatic waste fitting
8407 102



LIRA automatic waste fitting
8407 103