

## Sink S3000

Kitchen Sinks

Code: 1116 861



### DETAILS

Edge/Installation Type	Undermount
Material	AISI 304 stainless steel
Texture	Foster brushed
Base	60 cm
Dimensions	539x436 mm
Standard fittings	Fixing hooks, gasket, drain, overflow and siphon, boxed packing
Mixer holes	No standard holes
Built-in hole	View technical data sheet
Drainer	No

Width 54 cm

---

Bowl dimension 503x400mm

---

Number of bowls 1 bowl

---

Waste fitting 3,5" drain

---

## FEATURES

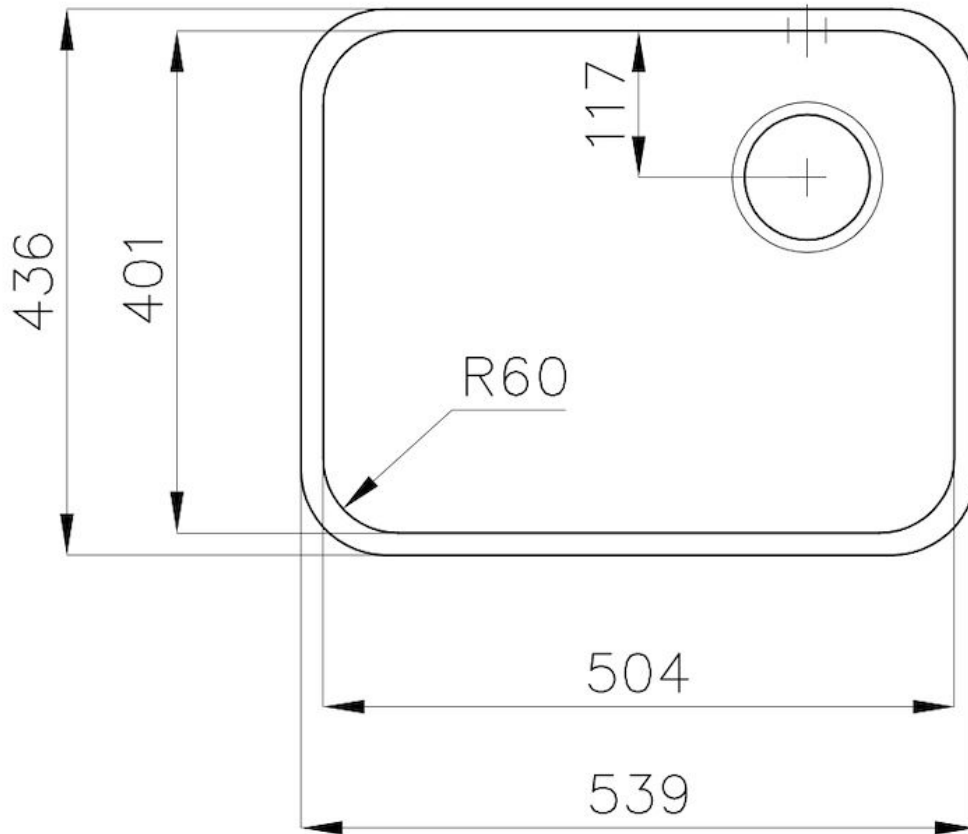
**Basket 3,5" waste fitting** The drain is equipped with a large 3.5" drain, with the practical basket cap that prevents the discharge of solid parts.

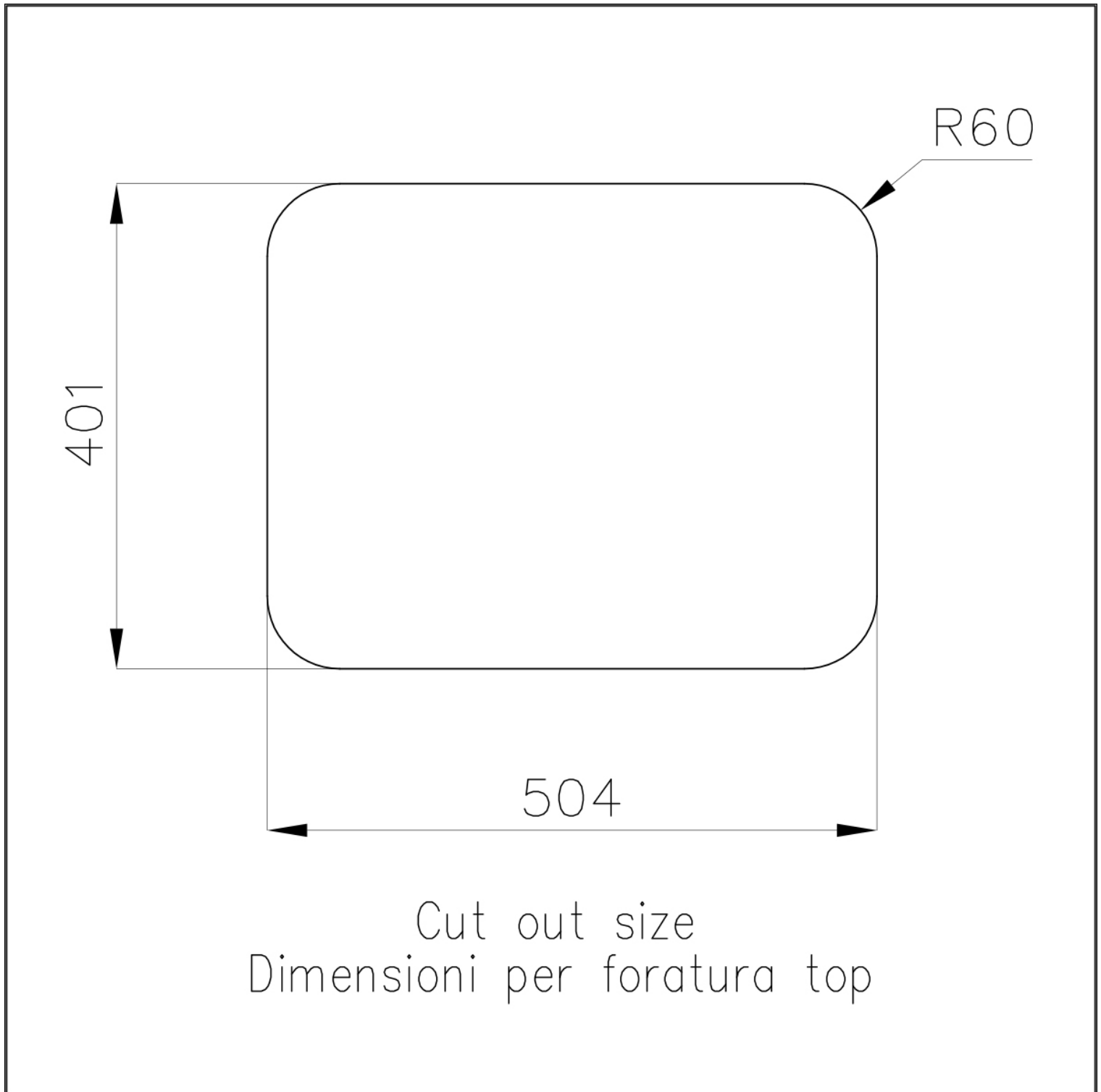
---

**Deep bowls** This bowls reach an important depth, over 20 cm, thanks to the advanced production technology, that can be offer great capieny and practicity in all the washing operations.

---

## TECHNICAL DATA





## GALLERY



## OPTIONAL ACCESSORIES



Cestello inox



Glass chopping board



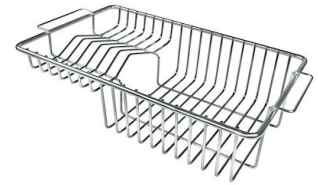
HPDE Chopping board



White basket



White bowl



Stainless steel plate rack

### **WARNING:**

The accessories 8159101, 8100303,8151000 are only usable in combination with 8644101

## RECOMMENDED PAIRINGS



Mixer Tap Drop



Mixer Tap Omega

## OPTIONAL AUTOMATIC WASTE FITTINGS



Automatic waste fitting



Automatic waste fitting



LIRA automatic waste fitting



LIRA automatic waste fitting