

## Sink S3000 1116 06x

Kitchen Sinks

Code: 1116 06x

Code: 1116 061 DX (Scarico a destra)

Code: 1116 062 SX (Scarico a sinistra)



### DETAILS

Material AISI 304 stainless steel

Texture Foster brushed

Base 60 cm

Edge/Installation Type Flush-mount | Top-mount

Dimensions 554x454 mm

Standard fittings Fixing hooks, gasket, drain, overflow and siphon, boxed packing

Mixer holes No standard holes

Built-in hole View technical data sheet (for all Flush-mount / Top-mount models and Under-mount models)

Drainer No

Width 55 cm

---

Bowl dimension 503x400mm

---

Number of bowls 1 bowl

---

Waste fitting 3,5" drain

---

## FEATURES

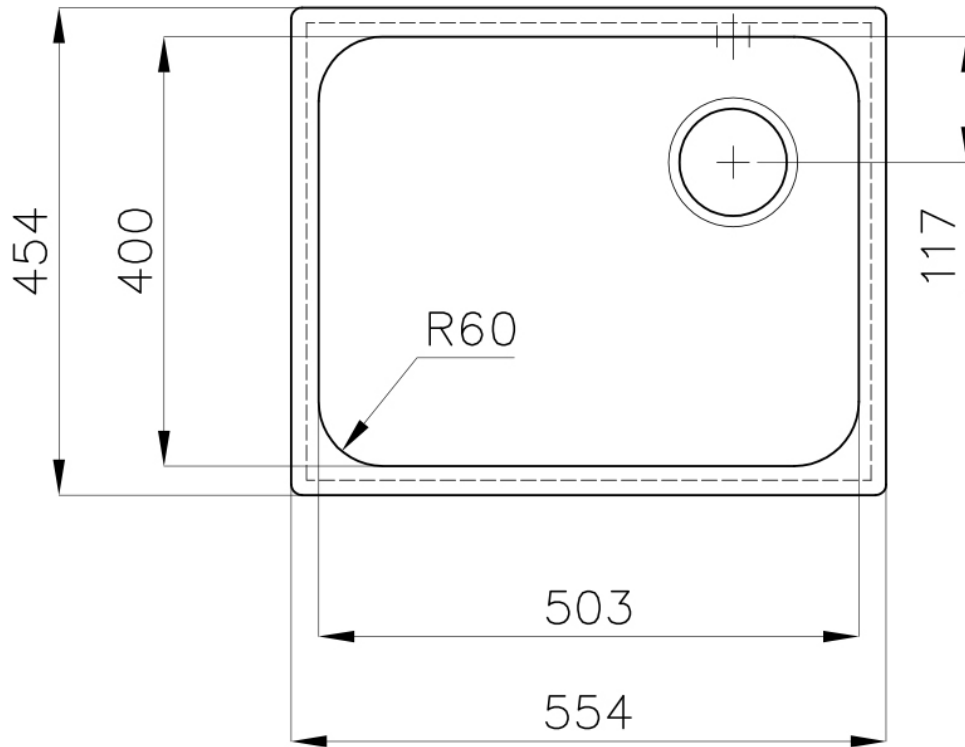
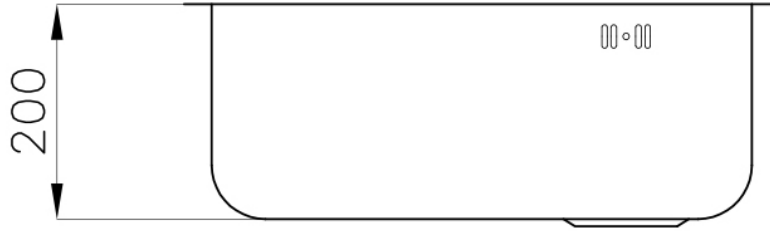
**Basket 3,5" waste fitting** The drain is equipped with a large 3.5" drain, with the practical basket cap that prevents the discharge of solid parts.

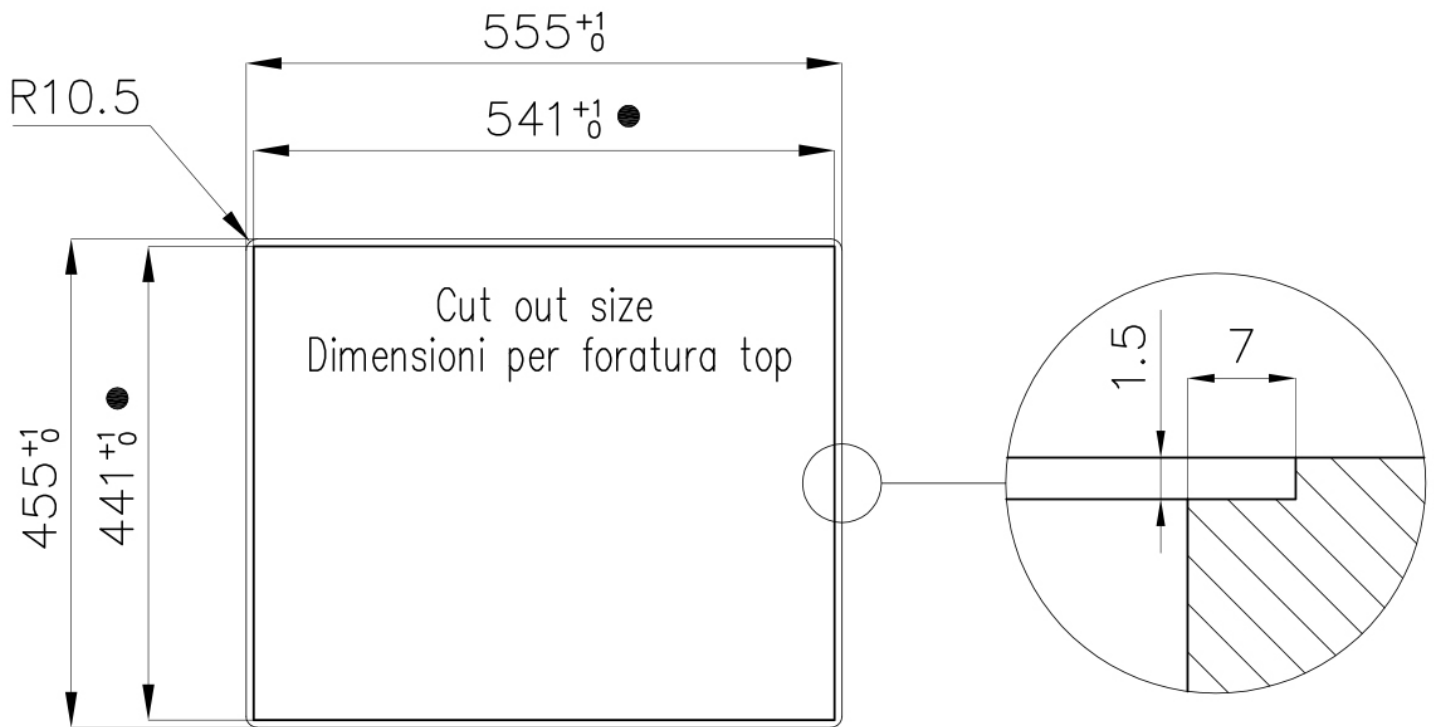
---

**Deep bowls** This bowls reach an important depth, over 20 cm, thanks to the advanced production technology, that can be offer great capieny and practicity in all the washing operations.

---

## TECHNICAL DATA





- Built-in cut out for FTS – Foratura per installazione FTS

## OPTIONAL ACCESSORIES



Cestello inox 8612 000



Glass chopping board 8631 300



HPDE Chopping board 8657 001



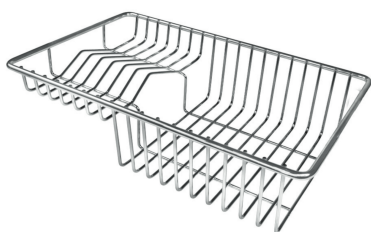
HPDE Twin chopping board 8644 101



Iroko-wood chopping board with stainless steel colander 8644 042



Iroko-wood sliding chopping board 8644 041



Stainless steel plate rack 8100 303



White bowl 8153 100

### **WARNING:**

**The accessories 8159101, 8100303, 8151000 are only usable in combination with 8644101**

## OPTIONAL AUTOMATIC WASTE FITTINGS



Automatic waste fitting 8407 000



Automatic waste fitting 8407 100



LIRA automatic waste fitting  
8407 102



LIRA automatic waste fitting  
8407 103