

## Sink Big Bowl

Bowl on the right

Kitchen Sinks

Code: 1076 061



### DETAILS

|                        |   |
|------------------------|---|
| Edge/Installation Type | Flat Edge   |
| Finish                 | Foster brushed  |
| Material               | AISI 304 stainless steel  |
| Texture                | Foster brushed  |
| Base                   | 90 cm   |
| Dimensions             | 1173x513 mm   |
| Standard fittings      | Fixing hooks, gasket, drain, overflow and siphon, boxed packing |
| Mixer holes            | 1 standard hole - 2nd and 3rd on request                        |
| Built-in hole          | 1140 x 480 mm   |

Drainer Yes

---

Width 116 cm

---

Bowl dimension 450x400 + 275x400mm

---

Number of bowls 2 bowls

---

Waste fitting 3,5" drain

---

## FEATURES

**Added value** Foster uses steel thicknesses higher than those used on average by other manufacturers. This is how, thanks to our long experience, we know how to make sinks of superior quality and with a better resistance to aging.

---

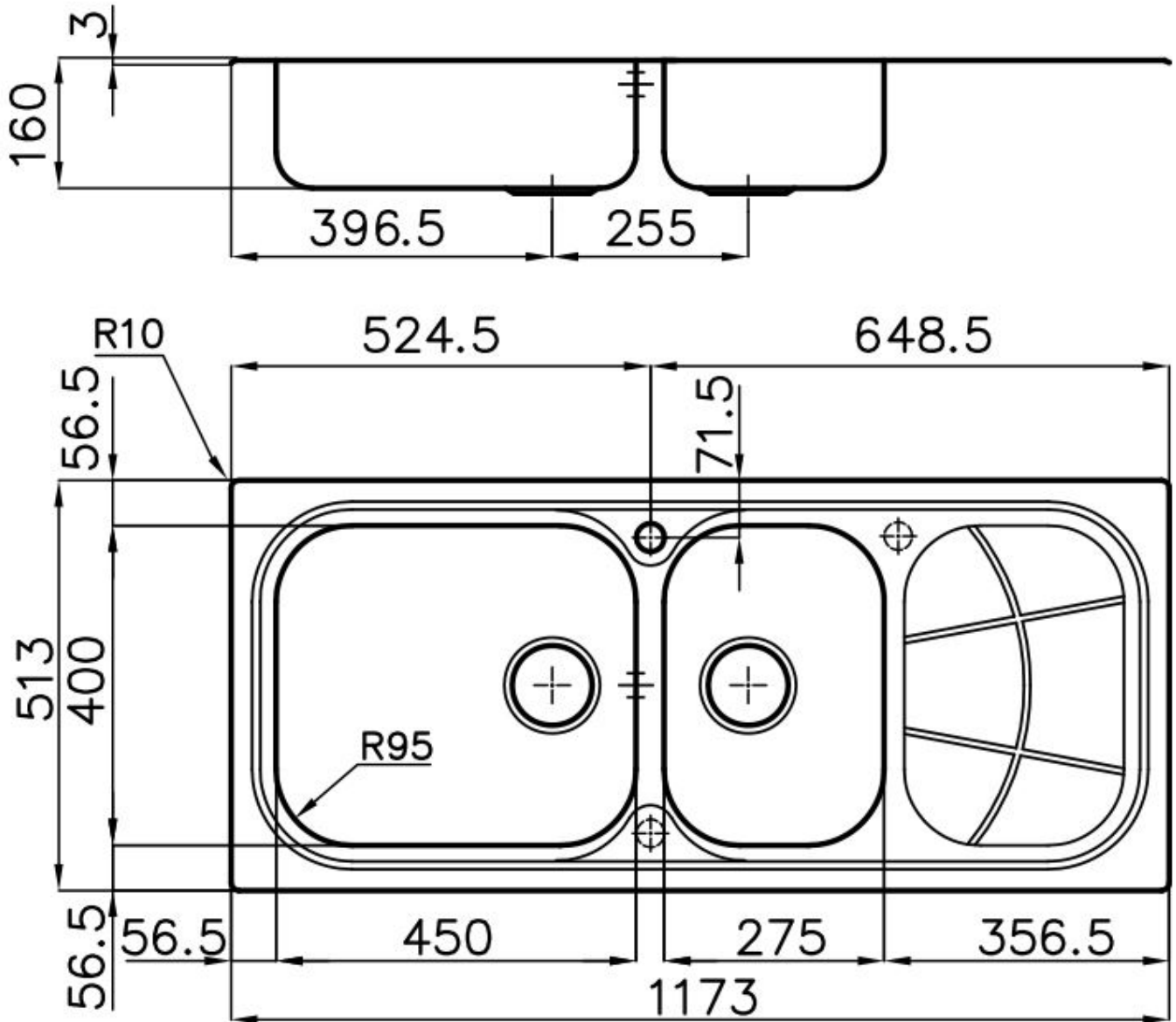
**ADDITIONAL HOLES AVAILABLE** The sink can be customized with the execution on request of additional holes, usable for double-hole mixers, for remote controlled drains or for the installation of soap dispensers. The positions are marked on the drawings with dotted line holes.

---

**Basket 3,5" waste fitting** The drain is equipped with a large 3.5" drain, with the practical basket cap that prevents the discharge of solid parts.

---

## TECHNICAL DATA



## GALLERY



## OPTIONAL ACCESSORIES



**Glass chopping board**  
8631 300



**HDPE Chopping board**  
8657 001



**Iroko-wood chopping board**  
8655 000



**Stainless steel plate rack**  
8100 280

## OPTIONAL AUTOMATIC WASTE FITTINGS



**Automatic waste fitting**  
8407 100



**Automatic waste fitting**  
8407 000



**LIRA automatic waste fitting**  
8407 102



**LIRA automatic waste fitting**  
8407 103