

Sink Big Bowl 1076 06x

Kitchen Sinks

Code: 1076 06x

Code: 1076 061 DX (Vasca a destra)

Code: 1076 062 SX (Vasca a sinistra)



DETAILS

Finish Foster brushed

Material AISI 304 stainless steel

Texture Foster brushed

Base 90 cm

Edge/Installation Type Flat Edge

Dimensions 1173x513 mm

Standard fittings Fixing hooks, gasket, drain, overflow and siphon, boxed packing

Mixer holes 1 standard hole - 2nd and 3rd on request

Built-in hole 1140x480 mm

Drainer Yes

Width 116 cm

Bowl dimension 450x400 + 275x400mm

Number of bowls 2 bowls

Waste fitting 3,5" drain

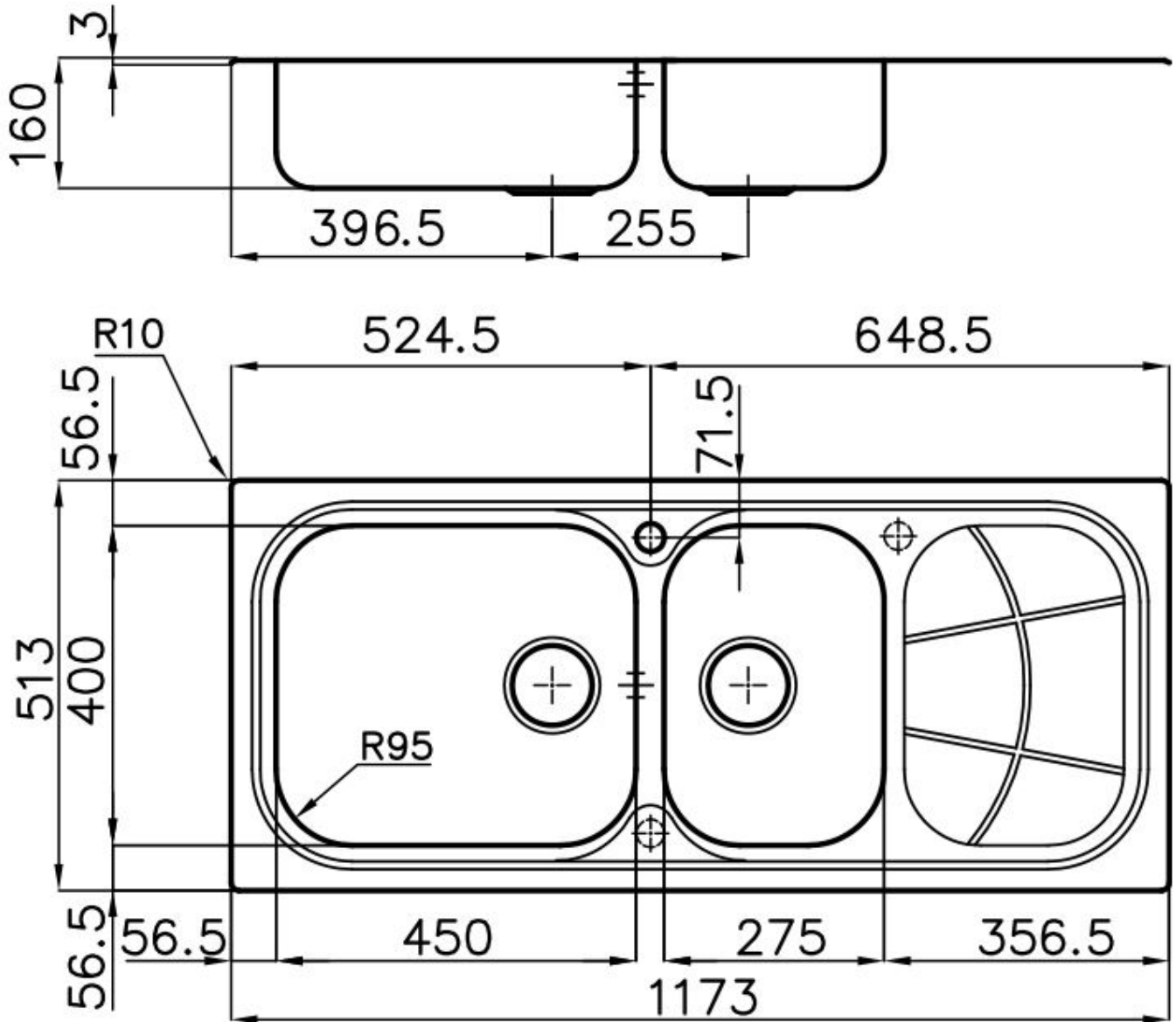
FEATURES

Added value Foster uses steel thicknesses higher than those used on average by other manufacturers. This is how, thanks to our long experience, we know how to make sinks of superior quality and with a better resistance to aging.

Basket 3,5" waste fitting The drain is equipped with a large 3.5" drain, with the practical basket cap that prevents the discharge of solid parts.

2nd / 3rd hole available The sink can be customized with the execution on request of additional holes, usable for double-hole mixers, for remote controlled drains or for the installation of soap dispensers. The positions are marked on the drawings with dotted line holes.

TECHNICAL DATA



GALLERY



OPTIONAL ACCESSORIES



Cestello inox 8612 000



Glass chopping board 8631 300



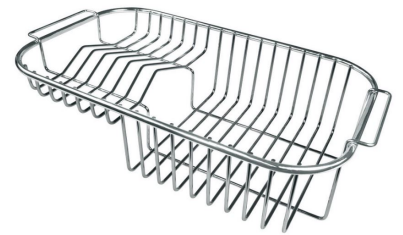
HPDE Chopping board 8657 001



Iroko-wood chopping board 8655 000



Stainless steel plate rack 8100 280



Stainless steel plate rack 8100 301

OPTIONAL AUTOMATIC WASTE FITTINGS



Automatic waste fitting 8407 000



Automatic waste fitting 8407 100



LIRA automatic waste fitting
8407 102



LIRA automatic waste fitting
8407 103