

## Sink Big Bowl 1071 06x

Kitchen Sinks

Code: 1071 06x

Code: 1071 061 DX (Vasca a destra)

Code: 1071 062 SX (Vasca a sinistra)



### DETAILS

Finish Foster brushed

---

Material AISI 304 stainless steel

---

Texture Foster brushed

---

Base 60 cm

---

Edge/Installation Type Flat Edge

---

Dimensions 873x513 mm

---

Standard fittings Fixing hooks, gasket, drain, overflow and siphon, boxed packing

---

Mixer holes 1 standard hole - 2nd hole on request

---

Built-in hole 840x480 mm

---

Drainer Yes

---

Width 87 cm

---

Bowl dimension 450x400mm

---

Number of bowls 1 bowl

---

Waste fitting 3,5" drain

---

## FEATURES

**Added value** Foster uses steel thicknesses higher than those used on average by other manufacturers. This is how, thanks to our long experience, we know how to make sinks of superior quality and with a better resistance to aging.

---

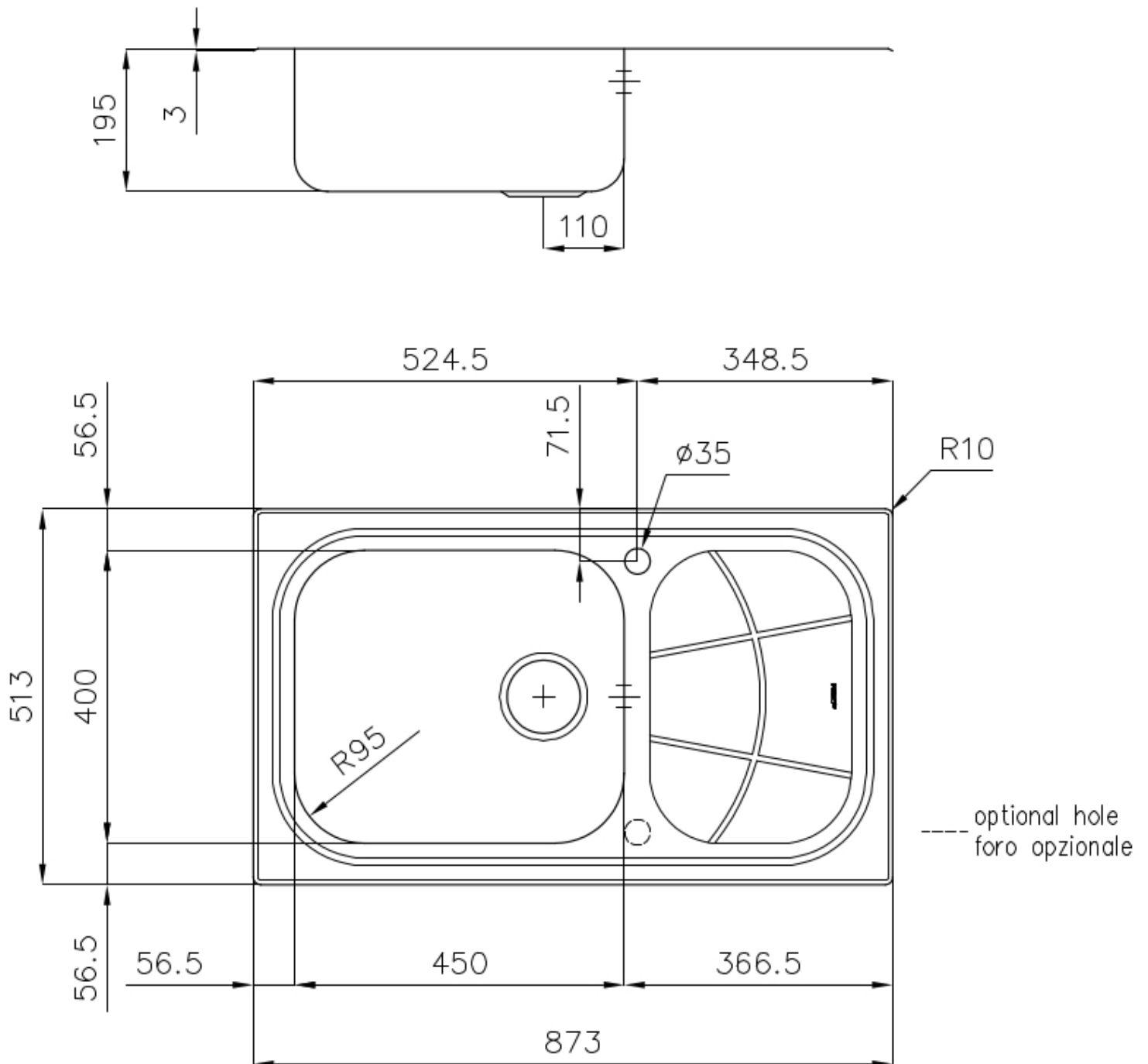
**Basket 3,5" waste fitting** The drain is equipped with a large 3.5" drain, with the practical basket cap that prevents the discharge of solid parts.

---

**2nd / 3rd hole available** The sink can be customized with the execution on request of additional holes, usable for double-hole mixers, for remote controlled drains or for the installation of soap dispensers. The positions are marked on the drawings with dotted line holes.

---

## TECHNICAL DATA



## OPTIONAL ACCESSORIES



Cestello inox 8612 000



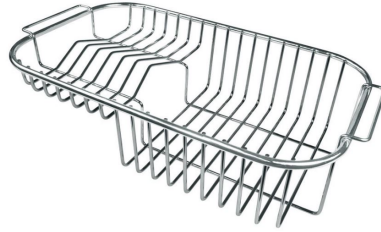
Glass chopping board 8631 300



HPDE Chopping board 8657 001



Iroko-wood chopping board 8655 000



Stainless steel plate rack 8100 301

## RECOMMENDED PAIRINGS



Mixer Tap Delta 8441 000



Mixer Tap Luisa 8482 000

## OPTIONAL AUTOMATIC WASTE FITTINGS



Automatic waste fitting 8407 000



Automatic waste fitting 8407 100



LIRA automatic waste fitting  
8407 102



LIRA automatic waste fitting  
8407 103