

Sink Foster Milano

Kitchen Sinks

Code: 1017 055



DETAILS

Edge/Installation Type	Flush-mount Top-mount
Finish	Foster brushed
Material	AISI 304 stainless steel
Texture	Brushed in line
Base	120 cm
Dimensions	1024x560 mm
Standard fittings	Fixing hooks, gasket, drain, overflow and siphon, boxed packing
Mixer holes	2 standard holes
Built-in hole	View technical data sheet

Drainer	No
Width	102 cm
Bowl dimension	968x400 mm
Number of bowls	1 bowl
Waste fitting	Drain with automatic control SPACE MILANO - 3.5 "

EQUIPMENT

1 x Space Milano automatic waste fitting 8407 115
1x Knife holder element

FEATURES

56 cm deep	56 cm deep. An increased dimension synonymous with great functionality, which distinguishes the Foster Milano series.
Automatic waste fitting	The waste-fitting with round remote knob is supplied; a practical accessory which makes it unnecessary to get wet in order to drain the water from the bowl.
Diamond-shape bottom	The draining of water is an important feature in a sink, and it's always taken good care of in Foster products. In the bent-welded sinks, which would have a flat bottom, the proper draining is guaranteed by the elegant beveling, which helps the water flow.
Double mixer hole	The large tap counter is already fitted with a series of 2 tap holes. In the second hole it is possible to install the remote control of the automatic drain or, alternatively, a practical soap dispenser.
High thickness	1mm thick steel. A significant thickness, which guarantees the maximum sturdiness and durability.

Perimetral overflow

The overflow is always a security on the Foster sinks that prevents the overflow of water in case of oversights. The perimeter drain solution improves aesthetics thanks to its square and essential shape.

Save space system

Drain and siphon are designed to leave as much space as possible in the under-sink area, more and more useful today for theseparate waste collection systems.

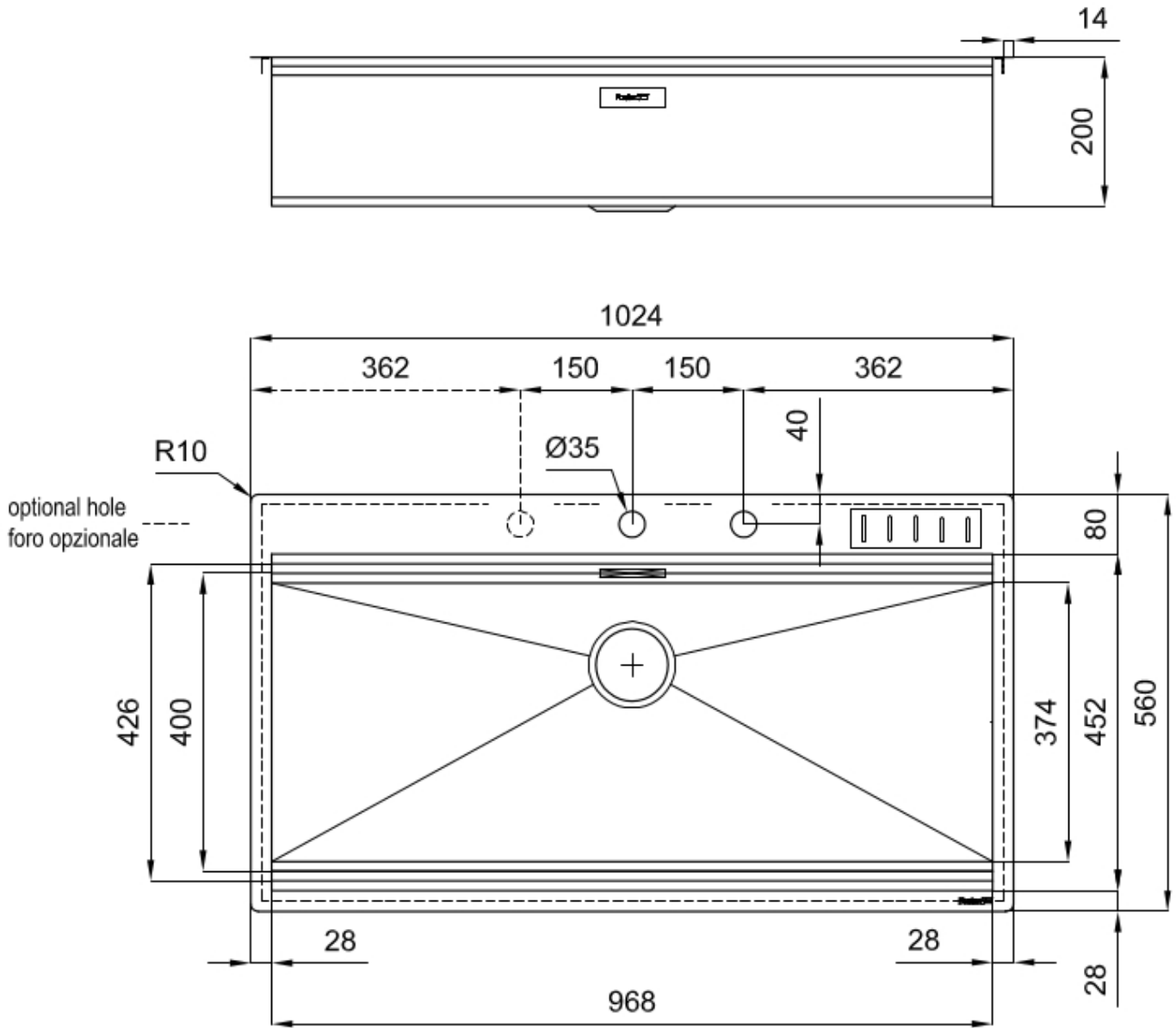
Space waste fitting

The elegant SPACE steel cap closes the drain and leaves no visible residues collected in the basket below. Space also has a small footprint and allows the optimal use of the under-sink compartment.

Triple recess - sliding accessories

The Foster Milano sink has an ingenious design that makes it simple to use a large set of optional accessories. On the topmost supporting step, the innovative Black grids slide, creating a large and practical surface to rinse food and crockery. The second step is meant to support and allow the sliding of a complete combination of accessories, which make some operations practical and safe: rinse, drain, slice, grate... everything can be done inside the sink. The third supporting step is on the bottom of the bowl. On this step one can rest the Black grids, making it possible to rinse foodstuffs without their coming in contact with the bottom of the sink, which may be dirty.

TECHNICAL DATA



Milano Optional accessories / Accessori opzionali

The "rails" system makes it possible to use a combination of numerous accessories. Grids, chopping boards, utensils' ranging system, bowls and containers of different dimensions can be alternated in the workspace with a simple gesture, and can easily be stacked, in order to be on hand at all times.

Il sistema di "corsie" rende possibile l'utilizzo combinato di innumerevoli accessori. Griglie, taglieri, portautensili, vaschette e contenitori di varie dimensioni si alternano nella zona di lavoro con un semplice gesto e possono essere impilati, sempre a portata di mano.



Milano Level 1

Compatible accessories/Accessori compatibili:

8100 600
8642 000



Milano Level 2

Compatible accessories/Accessori compatibili:

8153 100

8631 300

8644 101



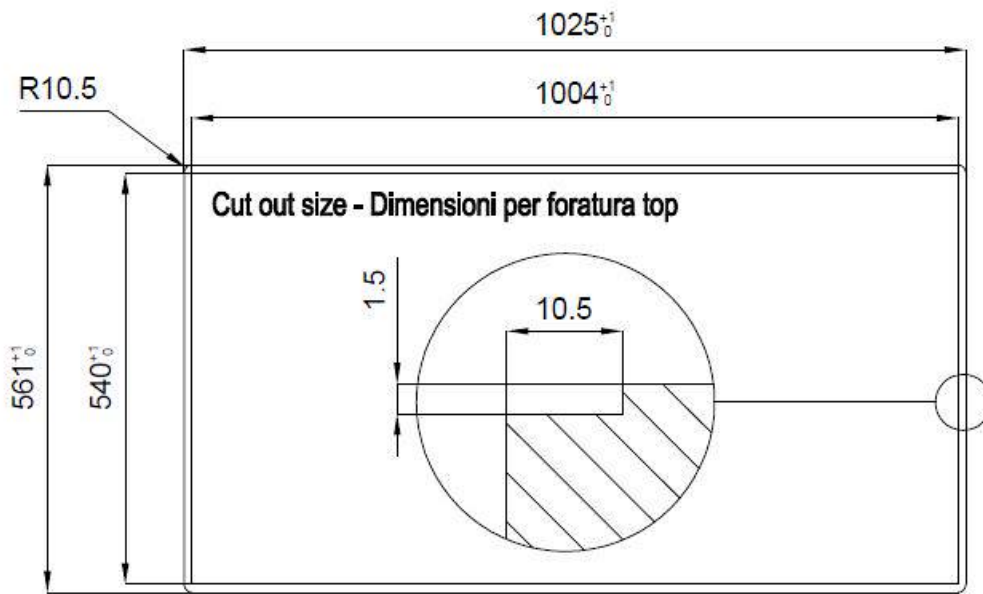
Milano Level 3

Compatible accessories/Accessori compatibili:

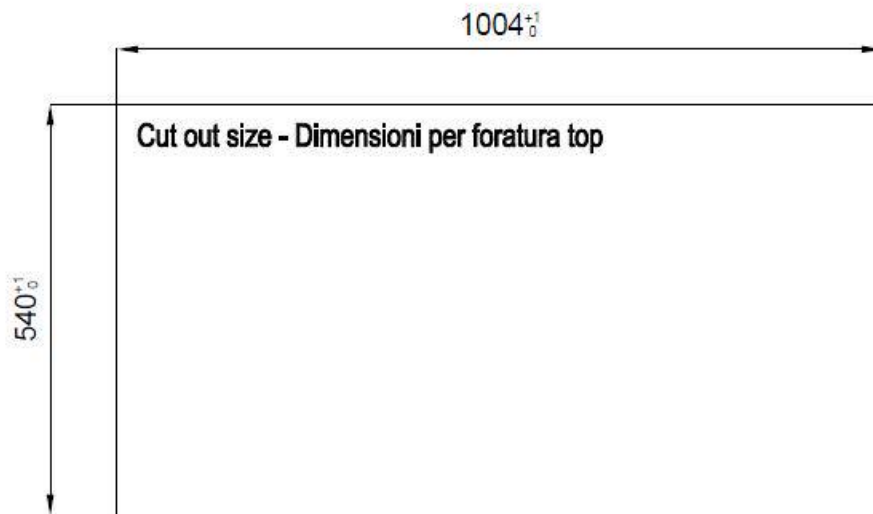
8100 600



Lavello MILANO cod. 1017/055



FT



FTS

GALLERY



EQUIPMENT



Space Milano automatic waste fitting
8407 115

OPTIONAL ACCESSORIES



Black grid
8100 600



HPDE Twin chopping board
8644 101



Stainless steel plate rack
8100 303
* only in combination with the accessory
8644 101



Walnut-wood chopping board
8642 000



3 Bottles-holder set
8100 621



3 Bowls set
8100 622



4 Spices-holder set
8100 620



Foldable rack
8110 000



Glass chopping board
8631 300



**Graters kit with ring-holder and
food collection tray**
8159 101
* only in combination with the accessory
8644 101



**Iroko-wood sliding chopping board
with stainless steel colander**
8644 044



Kit Black
8100 037



Kit multi-bowl

8100 628



Knives-holder

8100 030

* only in combination with the accessory
8100 621



Stainless steel colander

8151 010



Stainless steel perforated tray

8151 000

* only in combination with the accessory
8644 101



Stainless steel perforated tray

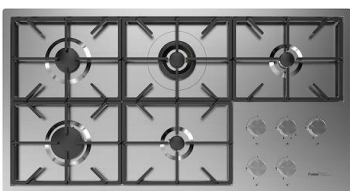
8151 001



White bowl

8153 100

RECOMMENDED PAIRINGS



Cooker hob Foster Milano

7638 000



Mixer Tap FL

8521 000