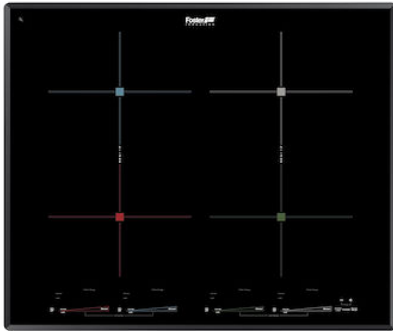


Milano Induction Cooktop 4 Plate

Induction Cooktops

Code: 7371 945

Black ceramic glass
Bevelled edge
9 settings plus powerboost
4 slider commands



DETAILS

Coloring Black

Material Ceramic glass

Series Foster Milano

Dimensions 24" x 20 1/2"

Edge/Installation Type Bevelled Edge - for flush-mount or over-mount installation

Heating element Four zones

Cut out 22 1/16" x 19 5/16"

Electrical supply 208-240V – 50/60 Hz

Total power 6,700 W @208 V
7,800 W @240 V

Up-left 7x8" - 1,900 / 2,200 W (3,400 / 3,900 Booster)

Left 7x8" - 1,900 / 2,200 W (3,400 / 3,900 Booster)

Up-right 7x8" - 1,900 / 2,200 W (3,400 / 3,900 Booster)

Right 7x8" - 1,900 / 2,200 W (3,400 / 3,900 Booster)

Power settings 9 power settings per zone + Powerboost

Safety Safety equipment

Type Induction Hob

Type of commands Touch Control

FEATURES

Powerboost Booster function provides increased power to the selected plate. In particular, when the Booster is activated, the plate works for ten minutes at a very high power that allows to heat quickly large quantities of water.

Slider commands The Slider control allows for extremely quick temperature setting: with a light touch of the finger you may select the desired power level on the TOUCH display.

Bridge zone The new hobs with Bridge function allow to associate two zones forming a single extended cooking zone for pots of large size, or for more than one cooking simultaneously, with maximum flexibility in pot positioning. With the additional Double Booster feature provided by all Bridge hobs, the exceptional 3700 W power can be concentrated on a single plate or made available uniformly over the enlarged area.

Heat maintenance

Function that allows the food to be kept warm gently (70° C), without reaching boiling temperatures or risking to burn the sauce.

Pause

Useful function that allows you to distract your attention from cooking, interrupting and restoring the settings immediately.

Recall

This feature allows you to call back the last settings selected in the previous cooking.

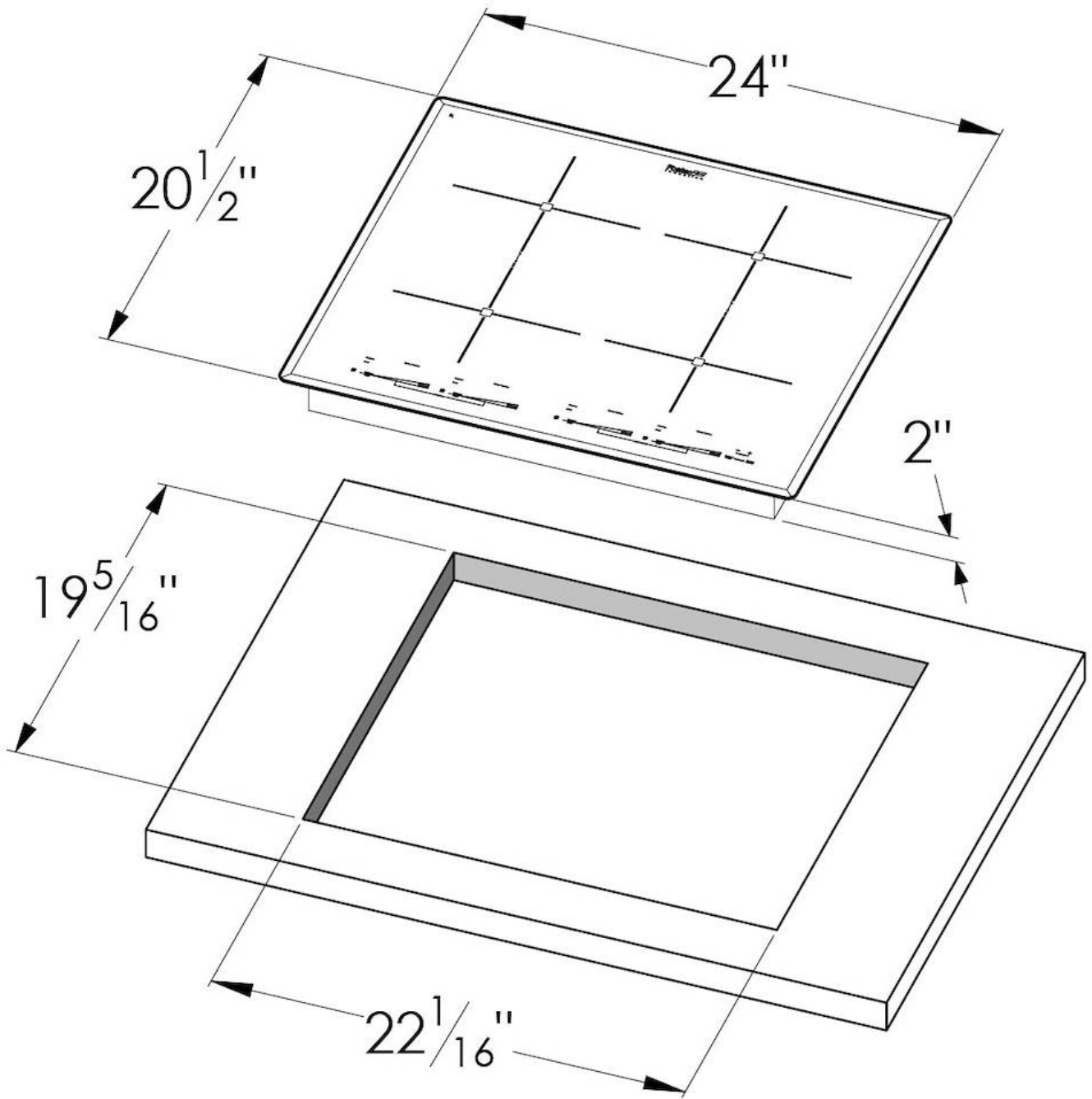
Timer

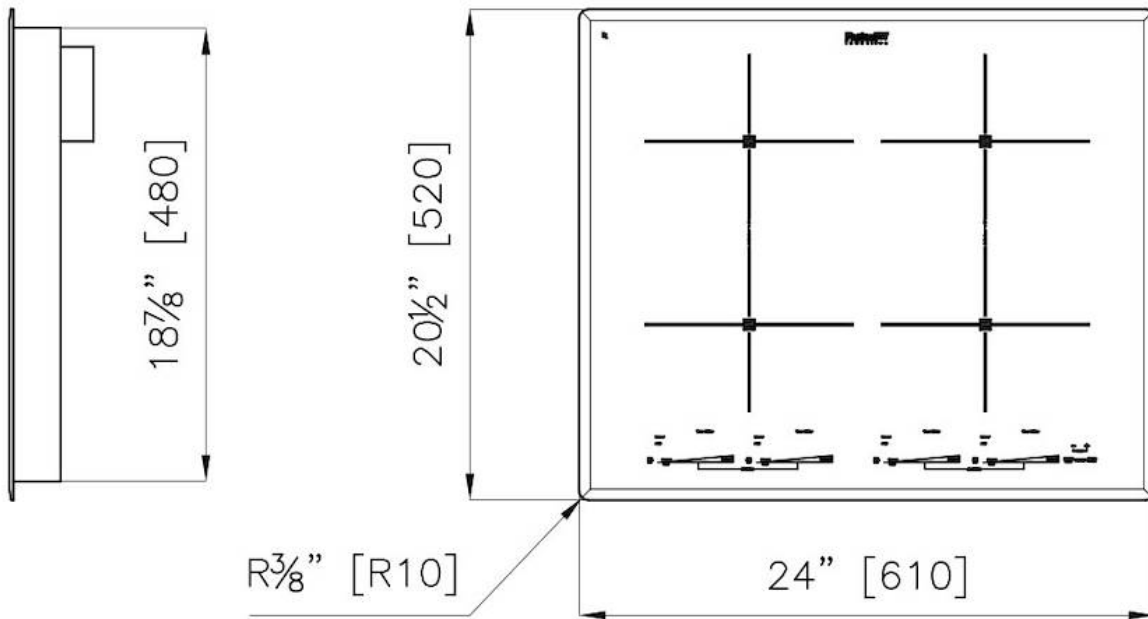
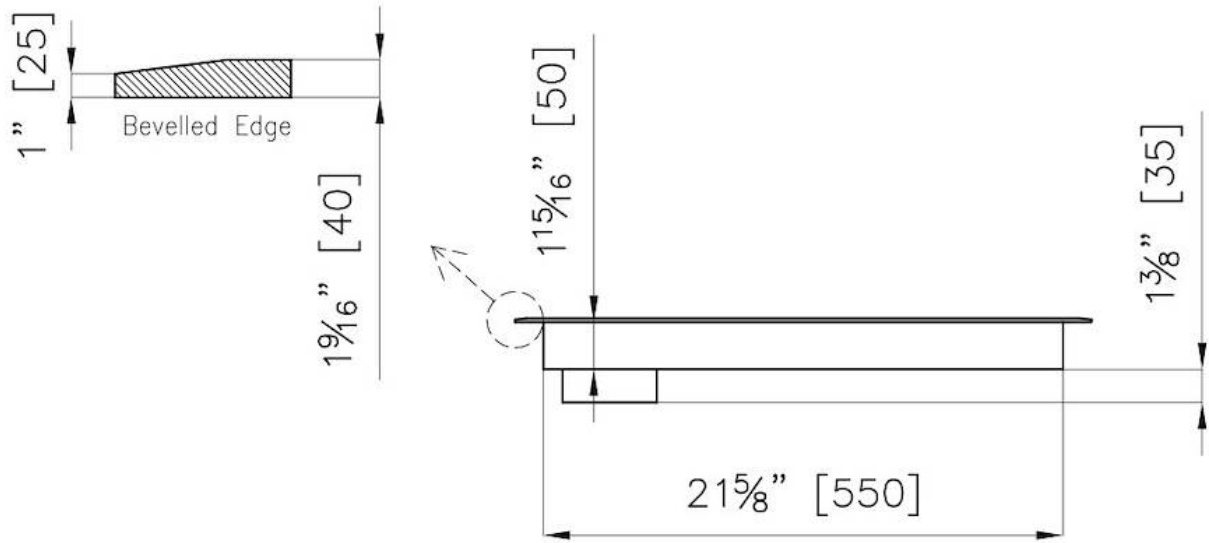
Independent timer from the end-of-cooking function.

Safety

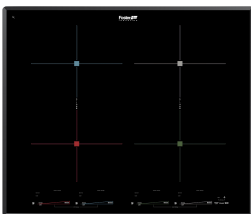
All electric cooker hobs feature the most modern and sophisticated safety protections: Centralised power-off function; Child-proof safety lock; Residual heat warning lights. Induction models feature the following functions: Safety System that turn off the hob in the absence of the pot; Overflow detector that automatically turns off the plate in case of liquid overflow; Automatic deactivation to prevent accidents caused by forgetfulness.

TECHNICAL DATA





GALLERY



OPTIONAL ACCESSORIES



Induction Pro - Cookware set -
8pcs

RECOMMENDED PAIRINGS



Sink Leonardo 33" x 20" – U/M



Oven Milano single Glass 30"



Milano Island Hood